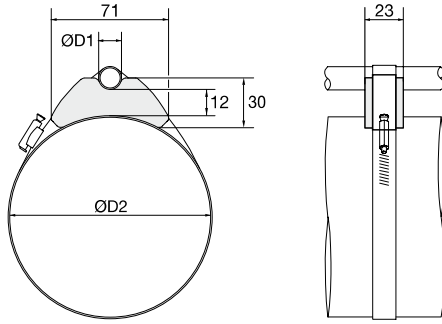


**Saddle Clamp for Cylinder Supply Lines  
Type ZR 518**


Min/Max Outside Diameters Pipe / Tube				Steel Strap Dimensions (Not Included in Scope of Delivery)			
Ø D1		Ø D2		Length		Width	
(mm)	(in)	(mm)	(in)	(mm)	(in)	(mm)	(in)
10 ... 22	.39 ... .87	50 ... 70	1.96 ... 2.76	196 ... 254	7.71 ... 10.00	13	.51
		60 ... 80	2.36 ... 3.15	225 ... 284	8.86 ... 11.18		
		70 ... 90	2.76 ... 3.54	254 ... 314	10.00 ... 12.36		
		80 ... 105	3.15 ... 4.13	284 ... 359	11.18 ... 14.13		
		90 ... 120	3.54 ... 4.72	314 ... 404	12.36 ... 15.90		
		105 ... 140	4.13 ... 5.51	359 ... 464	14.13 ... 18.27		
		125 ... 160	4.92 ... 6.30	419 ... 525	16.50 ... 20.66		
		145 ... 180	5.71 ... 7.09	479 ... 586	18.86 ... 23.07		
		165 ... 200	6.50 ... 7.87	540 ... 647	21.26 ... 25.47		

**Order Code**
**Saddle Clamp**
**ZR 518 Black 9005**
**Standard Material**

 Thermoplastic Elastomer (75±5 Shore-A)  
Colour: Black

See page A88 for properties and technical information.

**Custom-Designed  
Plastic Saddle Clamps**

Custom-designed Plastic Saddle Clamps according to customer's specifications or based on STAUFF developments are available upon request.

Consult STAUFF for further information.

