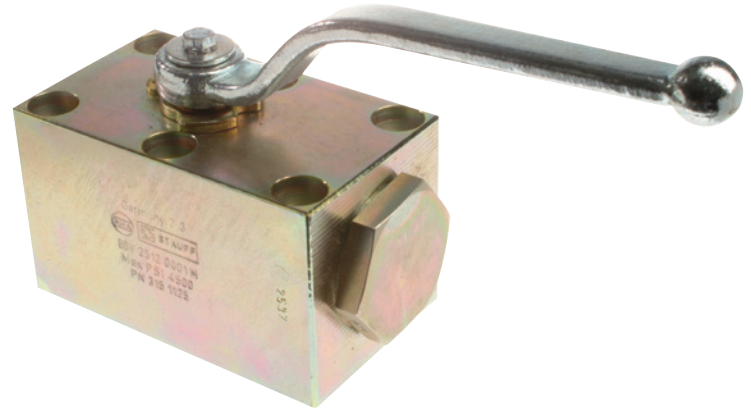


## Specifications

- ¼" – 2" Manifold Block Style
- Improved manifold design eliminates external piping and connectors.
- Delrin +MoS2 Ball Seat
- Viton O-Rings
- Pressure Range: Up to 7250 PSI (500 bar)
- Carbon Steel Construction
- Temperature Range: -20°F to 212°F (-29°C to 100°C)
- Six Mounting Holes, for added safety (¼" and ⅜" versions have 4 mounting holes)
- Mounting Bolts not supplied
- Zinc Plated Body



## Options

- Locking Device
- Actuator Packages Available
- Limit Switches
- Stainless Steel
- Three-way valves

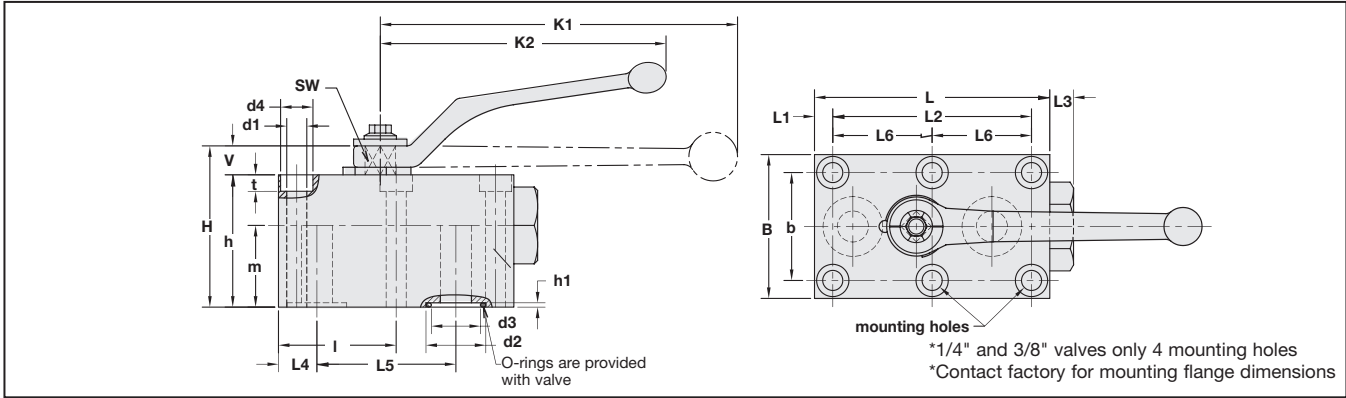
## Technical Information

Item Number	Quantity	Description
1	1	Body
2*	1	Seats
3	2	Ball
4*	2	O-Ring
5*	2	O-Ring
6	2	Retainer Plug
7*	2	O-Ring
8	1	Stop Pin
9	1	Stem
10*	1	Thrust Ring
11	1	O-Ring
12	1	Cam Plate
13	1	Snap Ring
14	1	Clamping Screw
15	1	Handle
16	1	Clamping Nut

\*Included in Seal Kit

Size	Part Number	Maximum Working Pressure	
		PSI	Bar
¼"	BBV25040001M	7250 PSI	500
⅜"	BBV25060001M	7250 PSI	500
½"	BBV25080001M	5800 PSI	400
¾"	BBV25120001M	4500 PSI	315
1"	BBV25160001M	4500 PSI	315
1¼"	BBV25200001M	4500 PSI	315
1½"	BBV25240001M	6090 PSI	420
2"	BBV25320001M	6090 PSI	420

## Dimensional Information



Size	L		L <sub>1</sub>		L <sub>2</sub>		L <sub>3</sub>		L <sub>4</sub>		L <sub>5</sub>		L <sub>6</sub>		I		d <sub>1</sub>		d <sub>2</sub>		d <sub>3</sub>		d <sub>4</sub>	
	in	mm	in	mm	in	mm	in	mm	in	mm	in	mm	in	mm	in	mm	in	mm	in	mm	in	mm	in	mm
1/4"	2.24	57	0.33	8	1.38	35	0.24	6	0.33	8	1.38	35			1.02	26	0.26	7	0.46	12	0.24	6	0.41	10
3/8"	2.76	70	0.30	8	2.17	55	0.39	10	0.39	10	1.73	44			1.14	29	0.33	8	0.59	15	0.37	9	0.53	13
1/2"	3.86	98	0.30	8	3.27	83	0.39	10	0.63	16	2.28	58	1.63	41	1.67	42	0.33	8	0.98	25	0.51	13	0.53	13
3/4"	4.61	117	0.39	10	3.82	97	0.39	10	0.79	20	2.72	69	1.91	49	2.01	51	0.41	10	1.22	31	0.79	20	0.65	17
1"	5.31	135	0.39	10	4.53	115	0.39	10	0.94	24	3.19	81	2.26	57	2.44	62	0.41	10	1.37	35	0.98	25	0.65	17
1 1/4"	6.50	165	0.47	12	5.35	136	0.39	10	1.14	29	3.78	96	2.68	68	2.95	75	0.51	13	1.57	40	1.26	32	0.75	19
1 1/2"	7.11	181	1.12	28	4.41	112	0.65	17	1.12	28	4.41	112	2.20	56	3.33	85	0.67	17	1.88	48	1.50	38	0.98	25
2"	8.90	226	1.50	38	5.35	136	0.60	15	1.50	38	5.35	136	2.68	68	4.17	111	0.83	21	2.35	60	1.89	48	1.22	31

Size	H		h		h <sub>1</sub>		m		v		SW		K <sub>1</sub>		K <sub>2</sub>		B		b		t		Weight	
	in	mm	in	mm	in	mm	in	mm	in	mm	in	mm	in	mm	in	mm	in	mm	in	mm	in	mm	lb	kg
1/4"	1.69	43	1.38	35	0.07	2	0.77	20	0.24	8	0.28	7			3.15	76	1.57	40	1.06	27	0.27	7	1.32	0.6
3/8"	2.32	57	1.77	45	0.07	2	0.96	24	0.43	11	0.35	9	5.91	150	4.53	115	2.17	55	1.57	40	0.33	8	2.86	1.3
1/2"	2.72	69	2.17	55	0.07	2	1.34	34	0.43	11	0.35	9	5.91	150	4.53	115	2.36	60	1.77	45	0.28	7	4.84	2.2
3/4"	3.46	88	2.76	70	0.12	3	1.48	38	0.55	14	0.55	14	7.87	200	6.30	171	2.76	70	2.01	51	0.41	10	8.58	3.9
1"	3.86	98	3.15	80	0.09	2	1.75	44	0.55	14	0.55	14	7.87	200	6.30	171	3.15	80	2.36	60	0.41	10	12.43	5.65
1 1/4"	4.76	122	3.94	100	0.08	2	2.15	55	0.65	17	0.67	17			12.60	325	3.94	100	3.07	78	0.47	12	24.42	11.1
1 1/2"	4.76	122	3.94	100	0.09	2	1.85	46	0.65	17	0.67	17			12.60	325	5.12	130	3.74	95	0.67	17	33.66	15.3
2"	5.90	150	5.07	129	0.09	2	2.80	71	0.80	20	0.67	17			12.60	325	5.91	150	4.41	112	0.85	22	48.18	21.9

## Ordering Information

