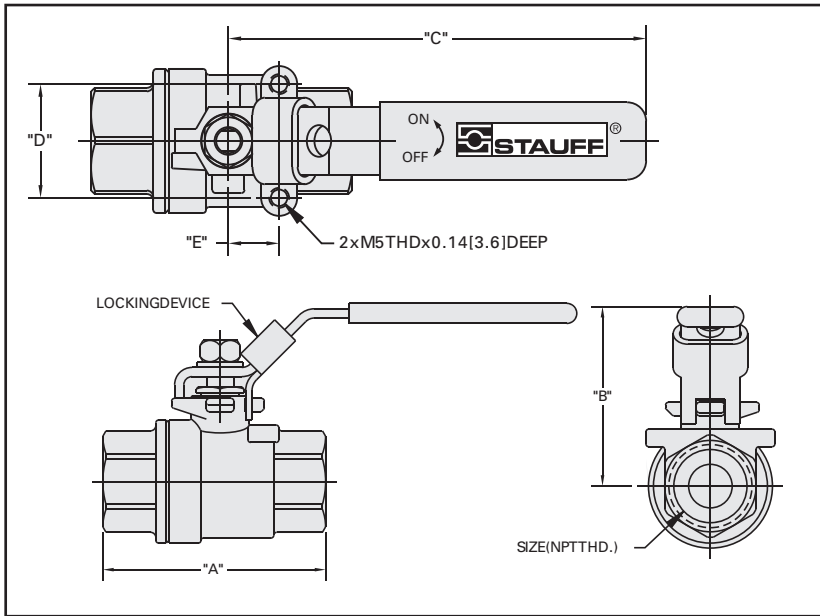


## Specifications

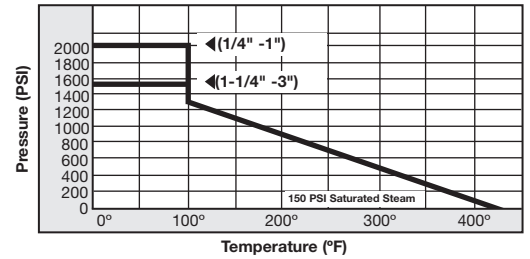
- 2-Piece Body 316 Stainless Steel
- Full and Reduced Port
- Screwed End
- Blowout-Proof Stem
- Adjustable Packing Nut
- Locking Level Handle
- Mounting Pad
- 2000 PSI (138 bar) WOG (See Chart)
- Threads to ANSI B2.1
- Size Range 1/4" to 3" NPT



## Dimensional Information



## Pressure / Temp. Rating



Inch (mm)

Stauff #	Size (NPT)	A	B	C	D	E
2BVM20041144G/LD	1/4" NPT	2.17 (55,0)	1.89 (48,0)	4.72 (120,0)	1.12 (28,5)	0.50 (12,7)
2BVM20061144G/LD	3/8" NPT	2.17 (55,0)	1.89 (48,0)	4.72 (120,0)	1.12 (28,5)	0.50 (12,7)
2BVM20081144G/LD	1/2" NPT	2.40 (61,0)	1.93 (49,0)	4.72 (120,0)	1.12 (28,5)	0.50 (12,7)
2BVM20121144G/LD	3/4" NPT	3.15 (80,0)	2.17 (55,0)	5.12 (130,0)	1.38 (35,0)	0.87 (22,1)
2BVM20161144G/LD	1" NPT	3.50 (89,0)	2.72 (69,0)	6.10 (155,0)	1.38 (35,0)	0.87 (22,1)
2BVM20201144G/LD	1-1/4" NPT	3.78 (96,0)	3.03 (77,0)	6.10 (155,0)	1.50 (38,0)	0.93 (23,6)
2BVM20241144G/LD	1-1/2" NPT	4.61 (117,0)	3.31 (84,0)	7.28 (185,0)	1.50 (38,0)	0.93 (23,6)
2BVM20321144G/LD	2" NPT	5.51 (140,0)	3.66 (93,0)	7.28 (185,0)	1.50 (38,0)	0.93 (23,6)
2BVM20401144G/LD	2-1/2" NPT	6.50 (165,0)	5.43 (138,0)	9.84 (250,0)	2.17 (55,0)	1.38 (35,0)
2BVM20481144G/LD	3" NPT	7.56 (192,0)	6.10 (155,0)	11.02 (280,0)	2.17 (55,0)	1.38 (35,0)

Note - Designs and materials are subject to change without notice.