

## Specifications

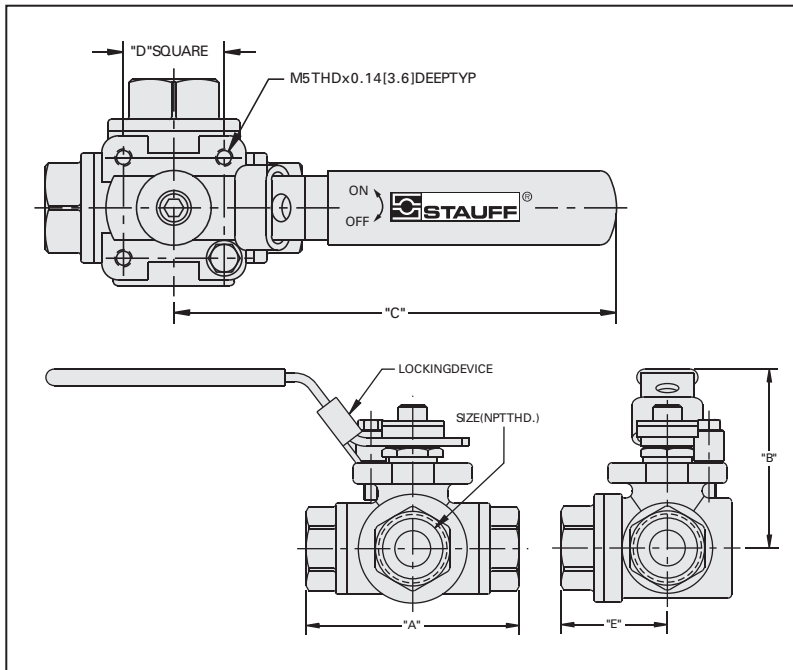
- 2 Piece Stainless Body, Diverter Style
- "L" Bore
- Adjustable Rotary Stem Seals provide long term, leak-free operation.
- Mounting Pad allows easy and accurate mounting of actuators and position indicating devices.
- Blowout-Proof Stem Design
- Body Test Pressure: 1500 PSIG (100 bar) Hydrostatic
- Valve Design allows 360° rotation; positive position location is available at 90° increments by the valve locking device.
- Working Pressure 1000 PSI (69 bar) WOG (See Chart)
- Temperature Range: -60° to 450° F
- End Types: Threaded NPT



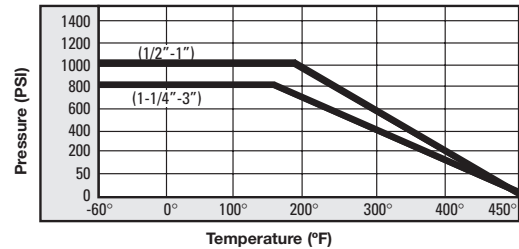
## Options

- Also Available in "T" Bore

## Dimensional Information



## Pressure/Temp. Rating



Inch (mm)

Staff #	Size (NPT)	A	B	C	D	E
2BVM30081144G/LD	1/2" NPT	2.36 (60,0)	2.20 (56,0)	3.78 (96,0)	1.13 (28,7)	1.50 (38,1)
2BVM30121144G/LD	3/4" NPT	2.91 (74,0)	2.52 (64,0)	4.92 (125,0)	1.38 (35,0)	1.72 (43,7)
2BVM30161144G/LD	1" NPT	3.23 (82,0)	2.60 (66,0)	4.92 (125,0)	1.38 (35,0)	1.98 (50,3)
2BVM30241144G/LD	1-1/2" NPT	4.49 (114,0)	3.27 (83,0)	5.71 (145,0)	1.50 (38,1)	2.52 (64,0)
2BVM30321144G/LD	2" NPT	5.59 (142,0)	3.46 (88,0)	8.07 (205,0)	1.50 (38,1)	2.97 (75,4)

Note - Designs and materials are subject to change without notice.