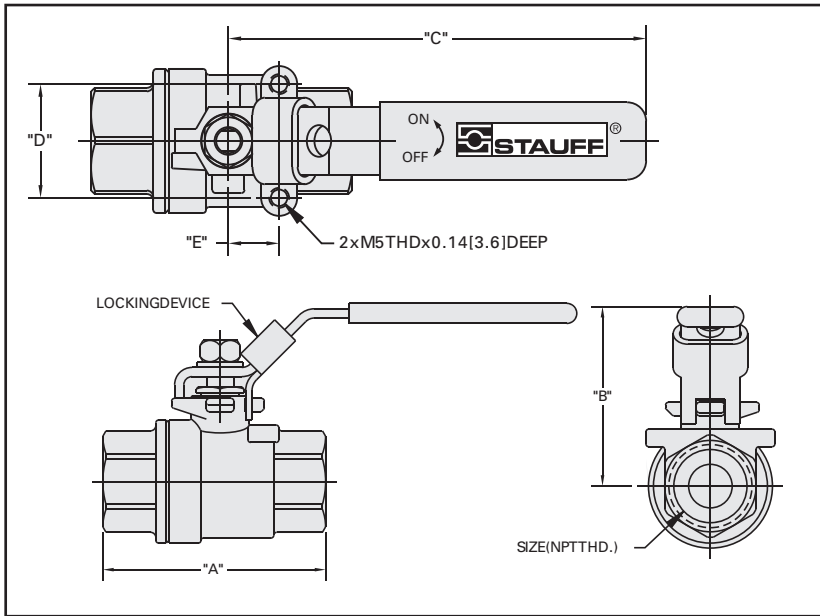


Specifications

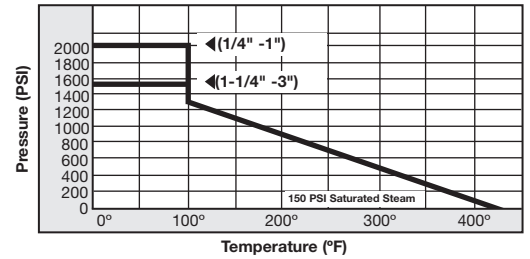
- 2-Piece Body 316 Stainless Steel
- Full and Reduced Port
- Screwed End
- Blowout-Proof Stem
- Adjustable Packing Nut
- Locking Level Handle
- Mounting Pad
- 2000 PSI (138 bar) WOG (See Chart)
- Threads to ANSI B2.1
- Size Range 1/4" to 3" NPT



Dimensional Information



Pressure / Temp. Rating



Inch (mm)

Stauff #	Size (NPT)	A	B	C	D	E
2BVM20041144G/LD	1/4" NPT	2.17 (55,0)	1.89 (48,0)	4.72 (120,0)	1.12 (28,5)	0.50 (12,7)
2BVM20061144G/LD	3/8" NPT	2.17 (55,0)	1.89 (48,0)	4.72 (120,0)	1.12 (28,5)	0.50 (12,7)
2BVM20081144G/LD	1/2" NPT	2.40 (61,0)	1.93 (49,0)	4.72 (120,0)	1.12 (28,5)	0.50 (12,7)
2BVM20121144G/LD	3/4" NPT	3.15 (80,0)	2.17 (55,0)	5.12 (130,0)	1.38 (35,0)	0.87 (22,1)
2BVM20161144G/LD	1" NPT	3.50 (89,0)	2.72 (69,0)	6.10 (155,0)	1.38 (35,0)	0.87 (22,1)
2BVM20201144G/LD	1-1/4" NPT	3.78 (96,0)	3.03 (77,0)	6.10 (155,0)	1.50 (38,0)	0.93 (23,6)
2BVM20241144G/LD	1-1/2" NPT	4.61 (117,0)	3.31 (84,0)	7.28 (185,0)	1.50 (38,0)	0.93 (23,6)
2BVM20321144G/LD	2" NPT	5.51 (140,0)	3.66 (93,0)	7.28 (185,0)	1.50 (38,0)	0.93 (23,6)
2BVM20401144G/LD	2-1/2" NPT	6.50 (165,0)	5.43 (138,0)	9.84 (250,0)	2.17 (55,0)	1.38 (35,0)
2BVM20481144G/LD	3" NPT	7.56 (192,0)	6.10 (155,0)	11.02 (280,0)	2.17 (55,0)	1.38 (35,0)

Note - Designs and materials are subject to change without notice.

Specifications

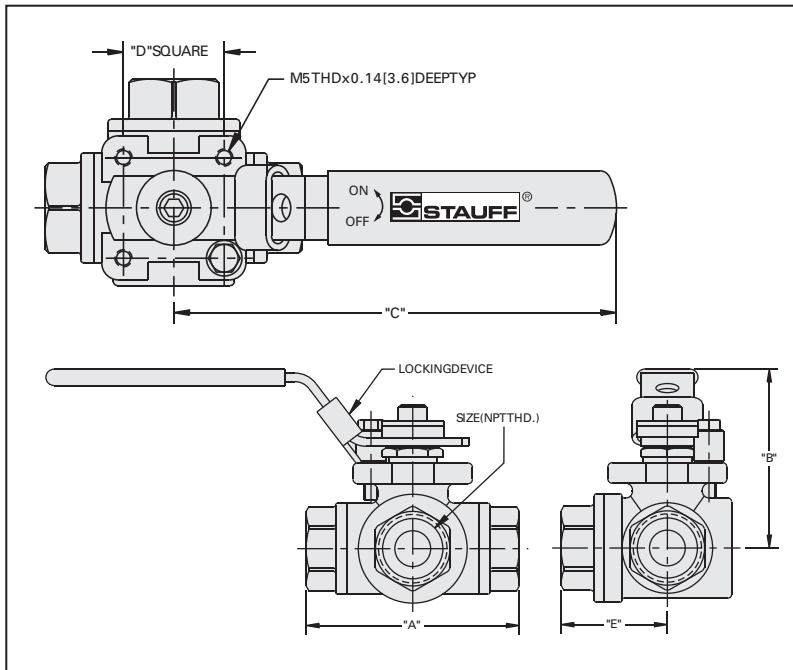
- 2 Piece Stainless Body, Diverter Style
- "L" Bore
- Adjustable Rotary Stem Seals provide long term, leak-free operation.
- Mounting Pad allows easy and accurate mounting of actuators and position indicating devices.
- Blowout-Proof Stem Design
- Body Test Pressure: 1500 PSIG (100 bar) Hydrostatic
- Valve Design allows 360° rotation; positive position location is available at 90° increments by the valve locking device.
- Working Pressure 1000 PSI (69 bar) WOG (See Chart)
- Temperature Range: -60° to 450° F
- End Types: Threaded NPT



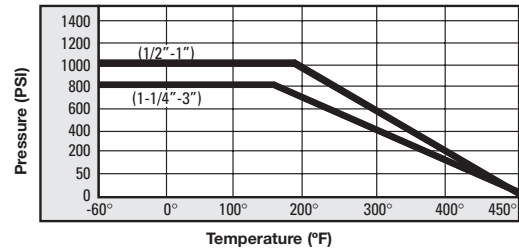
Options

- Also Available in "T" Bore

Dimensional Information



Pressure/Temp. Rating



Inch (mm)

Staff #	Size (NPT)	A	B	C	D	E
2BVM30081144G/LD	1/2" NPT	2.36 (60,0)	2.20 (56,0)	3.78 (96,0)	1.13 (28,7)	1.50 (38,1)
2BVM30121144G/LD	3/4" NPT	2.91 (74,0)	2.52 (64,0)	4.92 (125,0)	1.38 (35,0)	1.72 (43,7)
2BVM30161144G/LD	1" NPT	3.23 (82,0)	2.60 (66,0)	4.92 (125,0)	1.38 (35,0)	1.98 (50,3)
2BVM30241144G/LD	1-1/2" NPT	4.49 (114,0)	3.27 (83,0)	5.71 (145,0)	1.50 (38,1)	2.52 (64,0)
2BVM30321144G/LD	2" NPT	5.59 (142,0)	3.46 (88,0)	8.07 (205,0)	1.50 (38,1)	2.97 (75,4)

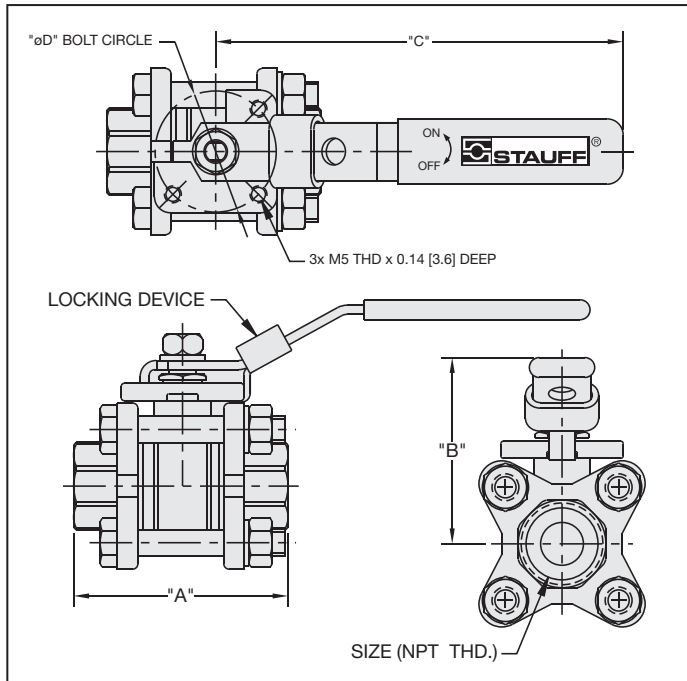
Note - Designs and materials are subject to change without notice.

Specifications

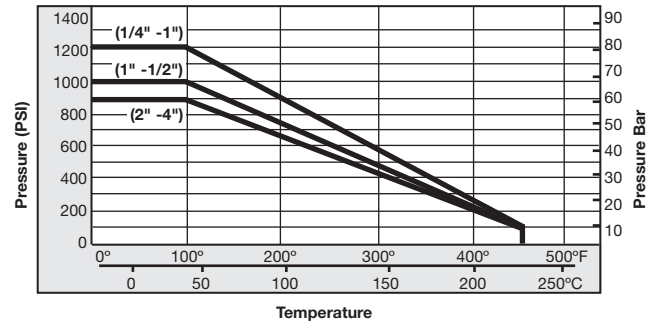
- 3-Piece Body - Tie-Rod Design
- ISO 5211 Standard Actuator Mounting Pad
- Full Port
- Blowout-Proof Stem
- Adjustable Packing Nut
- Locking Handle
- Readily Adapts to Automation
- Floating Ball
- Working Pressure -1000 PSI (69 bar) WOG (See Chart)
- Threads to ANSI B2.1
- Size Range 1/2" to 3"
- Repair Kits in Stock



Dimensional Information



Pressure / Temp. Rating



Stauff #	Size (NPT)	Inch (mm)			
		A	B	C	D
3BVM20081144C/LD	1/2" NPT	2.51 (64,0)	2.13 (54,0)	4.70 (120,0)	1.42 (36,0)
3BVM20121144C/LD	3/4" NPT	3.35 (85,0)	2.32 (59,0)	5.30 (135,0)	1.38 (35,0)
3BVM20161144C/LD	1" NPT	3.74 (95,0)	3.15 (80,0)	6.10 (155,0)	1.65 (42,0)
3BVM20201144C/LD	1-1/4" NPT	4.33 (110,0)	3.15 (80,0)	6.10 (155,0)	1.97 (50,0)
3BVM20241144C/LD	1-1/2" NPT	5.12 (130,0)	3.35 (85,0)	7.28 (185,0)	1.97 (50,0)
3BVM20321144C/LD	2" NPT	5.91 (150,0)	3.74 (95,0)	7.68 (195,0)	2.76 (70,0)
3BVM20481144C/LD	3" NPT	8.35 (212,0)	5.24 (133,0)	9.84 (250,0)	4.02 (102,0)

Note - Designs and materials are subject to change without notice.