

## Specifications

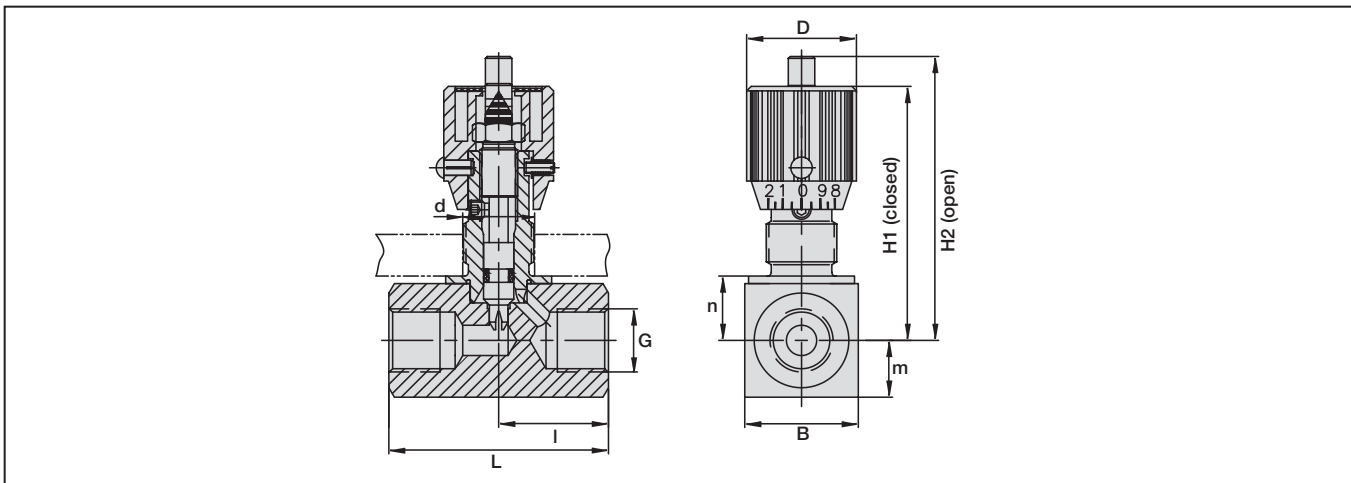
- Sizes to 1 1/2"
- Carbon Steel Body, Zinc Plated
- Viton "O"-Ring
- Temperature Range 14°F – 212°F (-10°C – 100°C)
- Working Pressure to 5000 PSI (350 bar)
- Graduated Knob and Color Coded Spindle To Accurately Control Flow
- Set-Screw Located On Side Of Knob To Lock Valve In Position

## Options

- NPT or SAE Threaded Connection
- Panel Mounting Kit Available (See Page V56)
- Special Seals Available On Request
- Stainless Steel construction



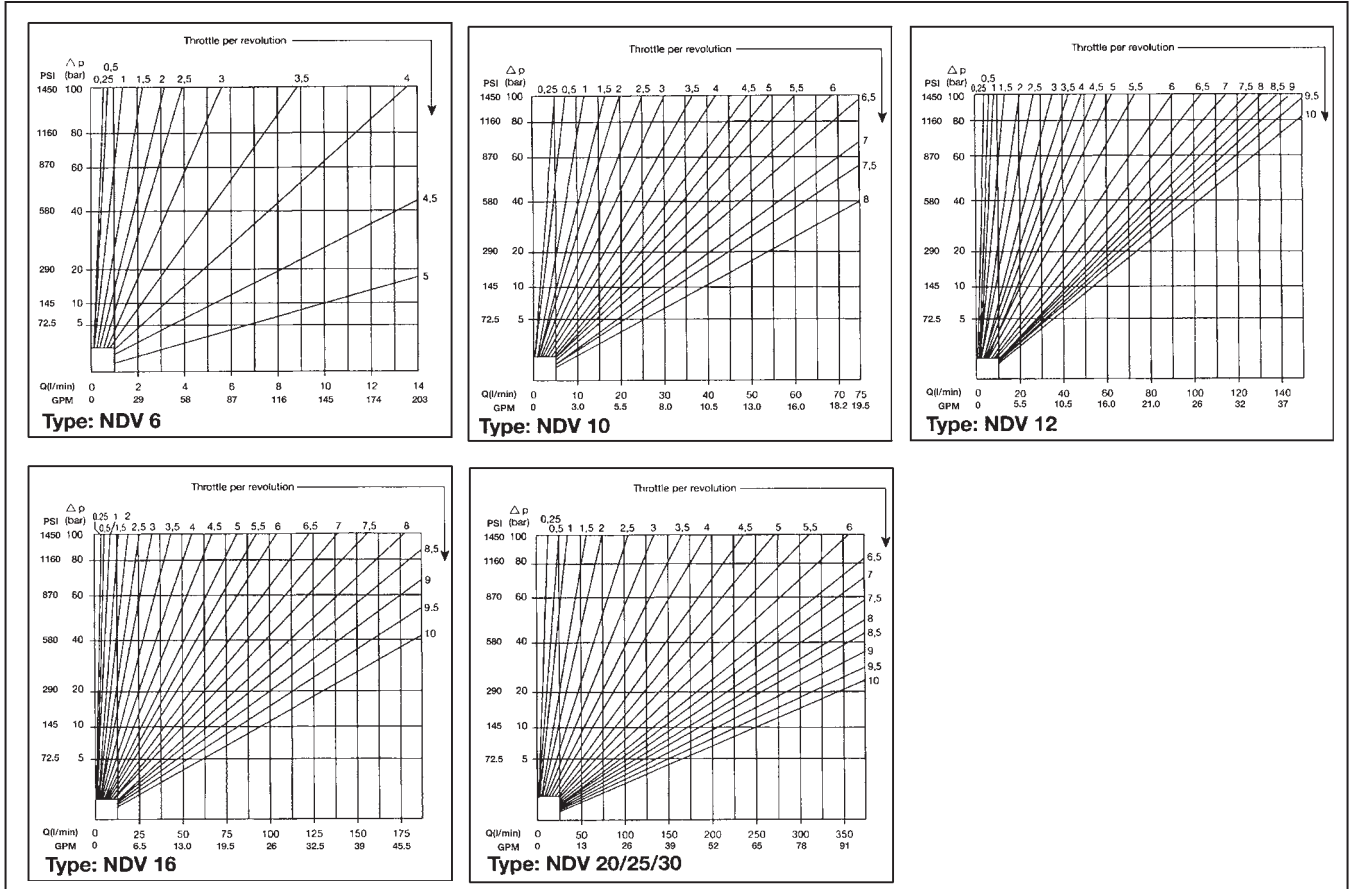
## Dimensional Information



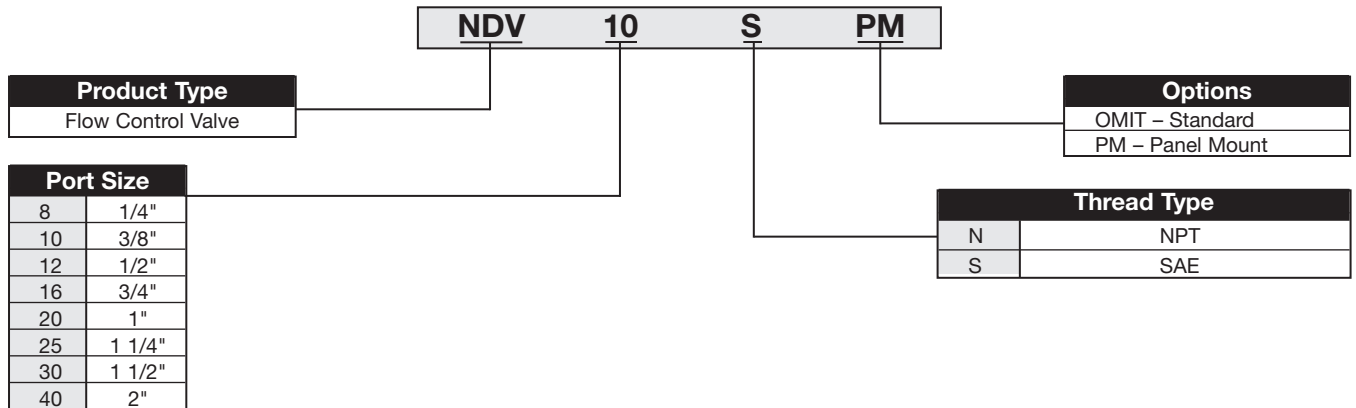
Nominal Size	DN		Port G		Operating Pressure		H2 Open		H1 Closed		m		n		B		I		L		D		d		Weight	
	mm	in	NPT	SAE	BAR	PSI	mm	in	mm	in	mm	in	mm	in	mm	in	mm	in	mm	in	mm	in	mm	in	kg	lbs
NDV8	8	0.31	1/8" NPT	1/8-20	350	5000	71	2.80	65	2.56	12,5	0.49	14,5	0.57	25	0.98	33,5	0.94	55	1.89	29	1.14	19	0.75	0.25	0.55
NDV10	10	0.39	1/4" NPT	1/8-18	350	5000	75	2.95	68	2.68	15	0.59	17	0.67	30	1.18	41	1.14	65	2.28	29	1.14	19	0.75	0.40	0.88
NDV12	12	0.47	1/4" NPT	1/8-16	350	5000	92	3.62	82	3.23	17,5	0.69	21	0.83	35	1.38	44	1.34	73	2.68	38	1.50	23	0.91	0.70	1.54
NDV16	16	0.63	1/2" NPT	1/4-12	350	5000	106	4.17	96	3.78	22,5	0.89	26	1.02	45	1.77	57	1.54	88	3.07	38	1.50	23	0.91	1.20	2.64
NDV20	20	0.79	1" NPT	1/4-12	350	5000	149	5.87	132	5.20	25	0.98	30	1.18	50	1.97	77	2.13	127	4.25	55	2.17	38	1.50	2.10	4.62
NDV25	25	0.98	1 1/4" NPT	1/4-12	350	5000	154	6.06	137	5.39	30	1.18	35	1.38	60	2.36	93	3.66	143	5.62	55	2.17	38	1.50	2.80	6.16
NDV30	30	1.18	1 1/2" NPT	1/4-12	350	5000	159	6.26	142	5.59	35	1.38	40	1.57	70	2.75	91	3.58	143	5.62	55	2.17	38	1.50	3.50	7.70

## Technical Information

### Pressure Drop/Flow Information



## Ordering Information

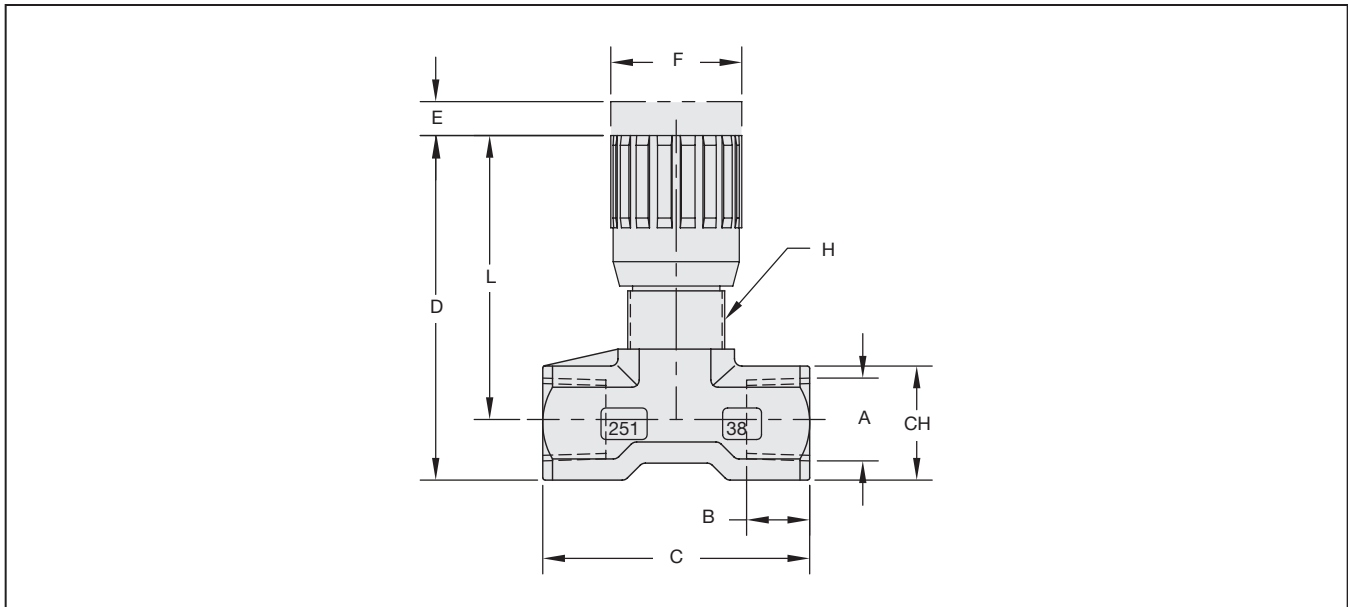
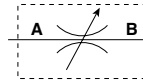


## Specifications

- Sizes to 1/4", 3/8" and 1/2" NPT, SAE
- Working Pressure 5000 PSI (350 bar)
- Nickel Plated Carbon Steel Body, Stainless Steel Needle
- Flow Setting Can Be Locked With Handle Set Screw
- Stem Seal-Buna with PTFE Back Up Ring
- Temperature range: -30°F to 250°F (-34°C to 121°C)

## Options

- VITON Seals
- Panel Mount Lock Nut (See Page V56)
- BSP Ports Available



## Dimensions

Part Number	Thread A	B		C		D		E		F		Thread H	L		Square CH		Weight	
		mm	in	mm	in	mm	in	mm	in	mm	in		mm	in	mm	in	kg	lbs
NVH-8N	1/4" NPT	12		46		61		4,5		22		M17X1	52,5		17		0.12	
NVH-8S	1/4" SAE		0.47		1.81		2.40		0.18		0.87			2.07		0.67		0.26
NVH-10N	3/8" NPT	13		55		74		7		27		M20X1	63		22		0.23	
NVH-10S	3/8" SAE		0.51		2.17		2.91		0.28		1.06			2.48		0.97		0.51
NVH-12N	1/2" NPT	1670		82		85,5		10		33		M25X1,5	72		27		0.45	
NVH-12S	1/2" SAE		0.63		2.76		3.37		0.39		1.30			2.83		1.06		1.0