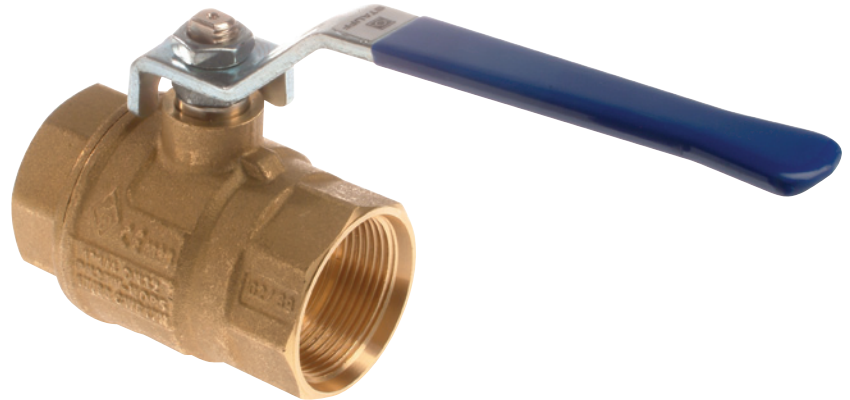


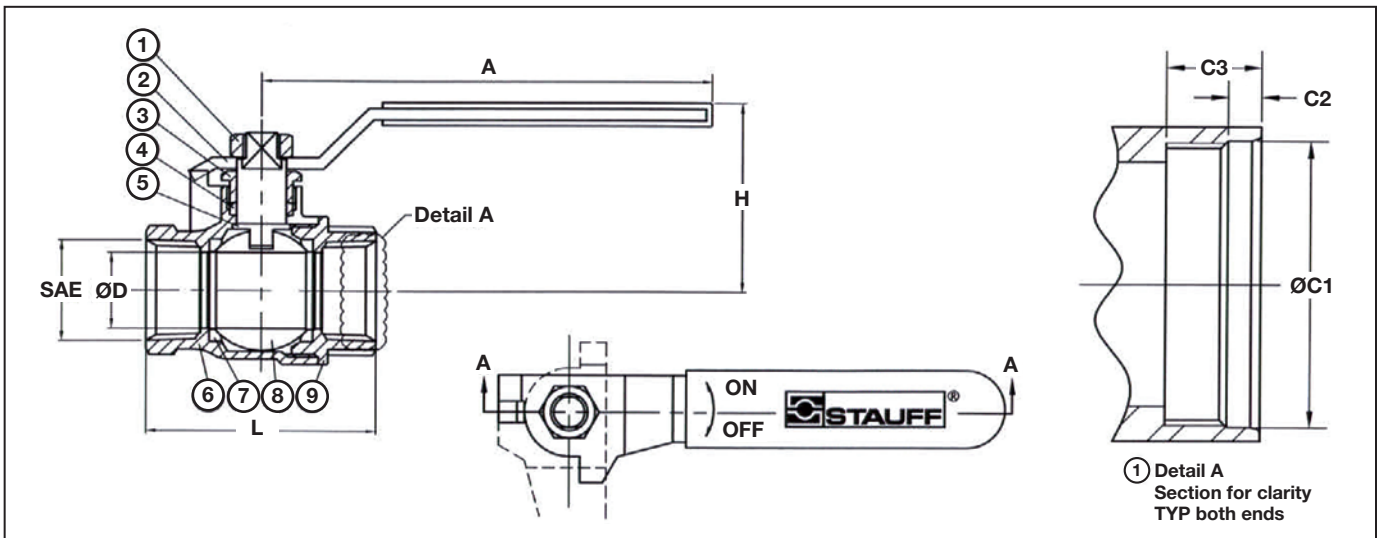
Specifications

- Brass Hot Stamping with Chrome Plated Brass Ball 1/4" to 4"
- Pressure Rating to 600 PSI (WOG) (40 bar)
- Blow Out Proof Stem
- Teflon Seats, Seals & Thrust Washer
- Temperature to 320⁰F (160⁰C)
- Metal Handle
- All Valves are Full Port.



Options

- Limit Switches
- Locking Handles
- Actuator Packages Available
- Three-Way Style Available

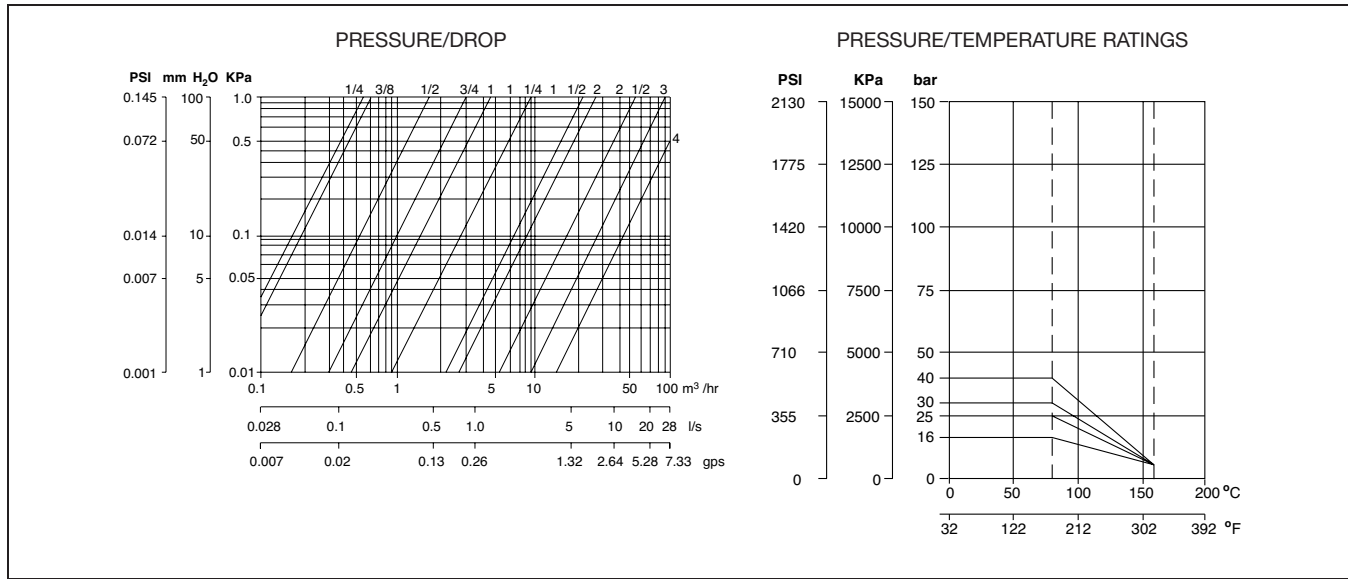


Dimensional Information

N Pos	Part Name	Materials	N Pcs.
1	BODY	BRASS UNI 5707-65	1
2	END CONNECTION	BRASS UNI 5705-65	1
3	BALL	BRASS UNI 5705-65	1
4	SEAT MATERIAL	P.T.F.E.	2
5	STEM SEALS	P.T.F.E.	2
6	O-RING	NBR 75 Sh A	1
7	PACKING GLAND	BRASS UNI 5705-65	1
8	NUT	PLATED STEEL	2
9	STEM	BRASS UNI 5705-65	1
10	LEVER HANDLE	PLATED* STEEL	1

Part No.	Size NPT	ØA	C	B	ØH	CH	E	D	CV Factor	Max Working Pressure	Lbs Kg
2BVL-20 04 F	1/4" in mm	0.39 10	0.39 10	2.02 51.5	0.90 23	0.78 20	3.85 98	1.75 44.5	6.29 40	928 PSI 64 Bar	0.30 0.13
2BVL-20 06 F	3/8" in mm	0.39 10	0.40 10	2.02 51.5	0.90 23	0.78 20	3.85 98	1.75 44.5	6.99 40	928 PSI 64 Bar	0.28 0.13
2BVL-20 08 F	1/2" in mm	0.59 15	0.53 13.6	2.44 62	1.25 32	0.98 25	3.85 98	1.88 48	19 40	435 PSI 30 Bar	0.41 0.19
2BVL-20 12 F	3/4" in mm	0.78 20	0.55 14	2.71 69	1.53 39	1.22 31	4.80 122	2.28 58	34.42 40	435 PSI 30 Bar	0.67 0.30
2BVL-20 16 F	1" in mm	0.98 25	0.66 16.8	3.27 83	1.92 49	1.49 38	4.80 122	2.44 62	50.18 40	435 PSI 30 Bar	1.09 0.50
2BVL-20 20 F	1 1/4" in mm	1.25 32	0.68 17.3	3.78 96	2.32 59	1.88 48	6.02 153	3.07 78	103.7 40	362 PSI 25 Bar	2.01 0.90
2BVL-20 24 F	1 1/2" in mm	1.57 40	0.68 17.3	4.25 108	2.87 73	2.12 54	6.02 153	3.34 85	268.41 40	362 PSI 25 Bar	3.08 1.40
2BVL-20 32 F	2" in mm	1.96 50	0.69 17.7	4.96 126	3.38 86	2.63 67	6.37 162	3.79 96.5	309.2 40	362 PSI 25 Bar	4.18 1.90
2BVL-20 40 F	2 1/2" in mm	2.56 65	1.19 30.2	5.98 152	4.37 111	3.54 90	8.07 205	5.02 127.5	629 40	362 PSI 25 Bar	8.00 3.60
2BVL-20 48 F	3" in mm	3.15 80	1.31 33.3	6.97 177	5.35 136	4.13 105	8.07 205	5.45 138.5	1018.17 40	362 PSI 25 Bar	12.90 5.90
2BVL-20 64 B	4" in mm	3.94 100	1.55 39.3	8.43 214	6.35 166	5.12 130	10.23 260	6.34 161	1622 40	362 PSI 25 Bar	22.04 10.0

Technical Information



Ordering Information

2BVL 2 0 08 F L

Product Type	
2BVL-	2 Piece Low Pressure Valve

No. of Ports	
2 -	2

Thread	
0-	NPT
1-	SAE (UP TO 2")
R -	Modified BSP Thread (2 1/2" - 4")

Port Sizes	
04	1/4"
06	3/8"
08	1/2"
12	3/4"
*16	1"
*20	1 1/4"
*24	1 1/2"
*32	2"
+40	2 1/2"
+48	3"
+64	4"

Locking Device	
-	No Lock
L	With Lock
X	With Lock & Limit Switch
S	With Limit Switch Only

Manufacturing Code

* SAE Threads Available
+ Modified BSP Available

Specifications

- Leak Free O-Ring Sealing to 4" with a Variety of Connection Options:
- Socket Weld
- Hose Barb (Straight 45° & 90°)
- Split Flange
- Carbon Steel Construction
- Lock Nut Design Simplifies the Positioning of Valves and Eliminates Weld Damage to Valve.
- Buna N Seals

Options

- Viton Seals
- Step Sizes Available - Consult Factory



Dimensional Information: 2½" - 4"

	PART NO.	BSP SIZE		B	E	D	PSI BAR	WEIGHT
	2BVL-2R 40 F	2½"	in	5.59	8.07	5.02	600	8.00 lb
			mm	142	205	127.5	40	3.66 kg
	2BVL-2R 48 F	3"	in	6.45	8.07	5.45	600	12.90 lb
			mm	164	205	138.5	40	5.90 kg
	2BVL-2R 64 B	4"	in	7.60	10.23	6.34	600	22.04 lb
mm			193	260	161	40	10.0 kg	

*Note: All "O"-rings should be lubricated before assembly.

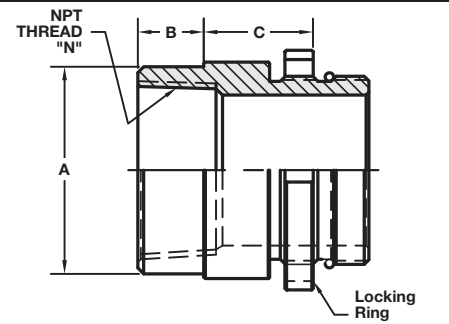
SWA - SWIVEL SOCKET WELD ADAPTOR						
Part no.	Port	Thread	A	B	C	D
SWA - 16LR	1"	15/16"-12UN-2B	0.88"	0.25"	1.33"	1.63"
SWA - 20LR	1¼"	15/8"-12UN-2B	0.88"	0.25"	1.67"	2.00"
SWA - 24LR	1½"	17/8"-12UN-2B	0.88"	0.25"	1.91"	2.25"
SWA - 32LR	2"	2½"-12UN-2B	1.00"	0.25"	2.39"	2.75"
SWA - 40LR	2½"	2½"-11BSP	1.50"	0.50"	2.89"	3.25"
SWA - 48LR	3"	3"-11BSP	1.50"	0.50"	3.51"	3.75"
SWA - 64LR	4"	4"-11BSP	1.50"	0.50"	4.51"	4.75"

*Note: Remove "O" ring before welding, valve should not be installed before welding adaptor.

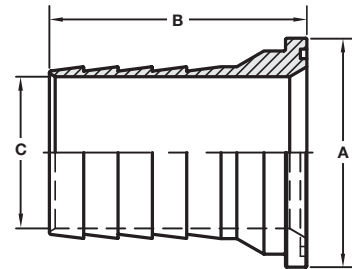
HA - SAE TO HOSE BARB ADAPTOR					
Part no.	Port	Thread	A	B	C
HA-16	1"	15/16"-12UN-2B	0.375"	1.37"	0.84"
HA-20	1¼"	15/8"-12UN-2B	0.40"	1.90"	1.06"
HA-24	1½"	17/8"-12UN-2B	0.40"	1.94"	1.25"
HA-32	2"	2½"-12UN-2B	0.41"	2.43"	1.70"
HA-40	2½"	2½"-11BSP	0.45"	3.09"	2.15"
HA-48	3"	3"-11BSP	0.45"	3.62"	2.65"
HA-64	4"	4"-11BSP	0.45"	4.90"	3.65"

SAS - SAE TO SPLIT FLANGE (CODE 61) ADAPTOR					
Part no.	Port	Thread	A	B	C
SAS-16	1"	15/16"-12UN-2B	2.40"	1.00"	1.75"
SAS-20	1¼"	15/8"-12UN-2B	2.72"	1.25"	2.00"
SAS-24	1½"	17/8"-12UN-2B	2.72"	1.50"	2.375"
SAS-32	2"	2½"-12UN-2B	2.97"	2.00"	2.812"
SAS-40	2½"	2½"-11BSP	3.18"	2.50"	3.312"
SAS-48	3"	3"-11BSP	3.18"	3.00"	4.00"
SAS-64	4"	4"-11BSP	3.44"	4.00"	5.00"

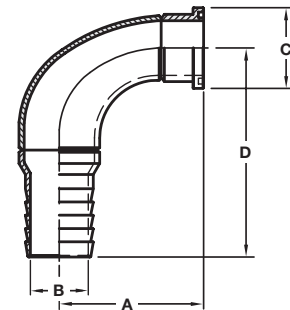
SNN - SAE SWIVEL TO NPT FEMALE ADAPTOR					
Part no.	Port	Thread	A	B	C
SNN-16	1"	1 ⁵ / ₁₆ "-12UN-2B	1.63"	0.88"	1.50"
SNN-20	1 ¹ / ₄ "	1 ⁵ / ₈ "-12UN-2B	1.88"	0.88"	1.56"
SNN-24	1 ¹ / ₂ "	1 ⁷ / ₈ "-12UN-2B	2.25"	0.88"	1.56"
SNN-32	2"	2 ¹ / ₂ "-12UN-2B	2.75"	0.88"	1.75"
SNN-40	2 ¹ / ₂ "	2 ¹ / ₂ "-11BSP	3.13"	1.00"	1.75"
SNN-48	3"	3"-11BSP	3.88"	1.00"	1.75"
SNN-64	4"	4"-11BSP	4.88"	1.00"	1.75"



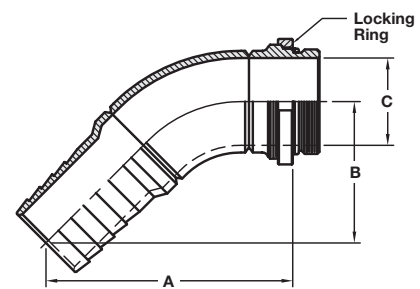
HAS - SPLIT FLANGE TO HOSE BARB ADAPTOR					
Part no.	Port	Thread	A	B	C
HAS-16	1"	CODE 61	1.73"	2.63"	0.84"
HAS-20	1 ¹ / ₄ "	CODE 61	2.00"	3.00"	1.06"
HAS-24	1 ¹ / ₂ "	CODE 61	2.38"	3.00"	1.25"
HAS-32	2"	CODE 61	2.81"	3.25"	1.70"
HAS-40	2 ¹ / ₂ "	CODE 61	3.31"	4.00"	2.15"
HAS-48	3"	CODE 61	4.00"	4.50"	2.65"
HAS-64	4"	CODE 61	5.00"	5.00"	3.65"



HAS 90° - SPLIT FLANGE TO HOSE BARB ELBOW 90° ADAPTOR					
Part no.	Port	A	B	C	D
HAS 90-16	1"	2.75"	1.00"	1.75"	3.63"
HAS 90-20	1 ¹ / ₄ "	3.25"	1.25"	2.00"	4.63"
HAS 90-24	1 ¹ / ₂ "	3.50"	1.50"	2.38"	5.00"
HAS 90-32	2"	4.25"	2.00"	2.81"	6.25"
HAS 90-40	2 ¹ / ₂ "	5.50"	0.5"	3.31"	7.88"
HAS 90-48	3"	6.38"	3.00"	4.00"	9.00"
HAS 90-64	4"	8.00"	4.00"	5.00"	11.38"



HA 45° - SAE SWIVEL TO HOSE BARB ELBOW 45° ADAPTOR					
Part no.	Port	Thread	A	B	C
HA 45-16	1"	1 ⁵ / ₁₆ "-12UN-2B	3.50"	2.00"	1.00"
HA 45-20	1 ¹ / ₄ "	1 ⁵ / ₈ "-12UN-2B	4.25"	2.50"	1.25"
HA 45-24	1 ¹ / ₂ "	1 ⁷ / ₈ "-12UN-2B	4.38"	2.50"	1.50"
HA 45-32	2"	2 ¹ / ₂ "-12UN-2B	5.38"	3.13"	2.00"
HA 45-40	2 ¹ / ₂ "	2 ¹ / ₂ "-11BSP	7.00"	4.00"	2.50"
HA 45-48	3"	3"-11BSP	8.00"	4.64"	3.00"
HA 45-64	4"	4"-11BSP	9.50"	5.50"	4.00"



HA 90° - SAE SWIVEL TO HOSE BARB ELBOW 90° ADAPTOR					
Part no.	Port	Thread	A	B	C
HA 90-16	1"	1 ⁵ / ₁₆ "-12UN-2B	2.38"	3.63"	1.00"
HA 90-20	1 ¹ / ₄ "	1 ⁵ / ₈ "-12UN-2B	2.75"	4.50"	1.25"
HA 90-24	1 ¹ / ₂ "	1 ⁷ / ₈ "-12UN-2B	3.13"	5.00"	1.50"
HA 90-32	2"	2 ¹ / ₂ "-12UN-2B	4.00"	6.25"	2.00"
HA 90-40	2 ¹ / ₂ "	2 ¹ / ₂ "-11BSP	5.25"	8.06"	2.50"
HA 90-48	3"	3"-11BSP	6.00"	9.06"	3.00"
HA 90-64	4"	4"-11BSP	7.75"	11.38"	4.00"

