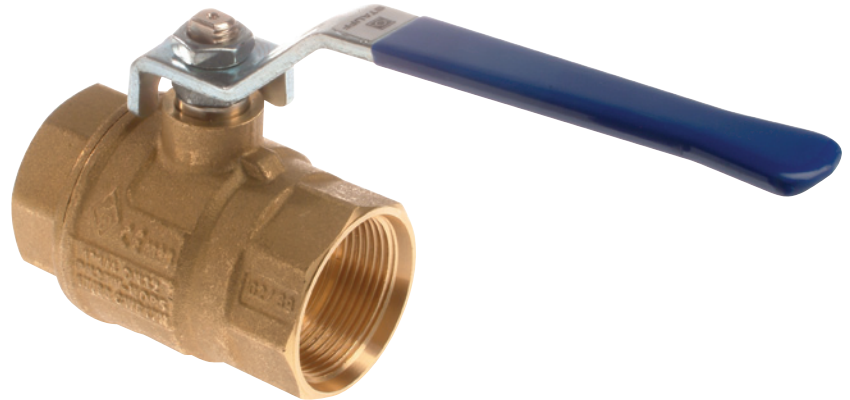


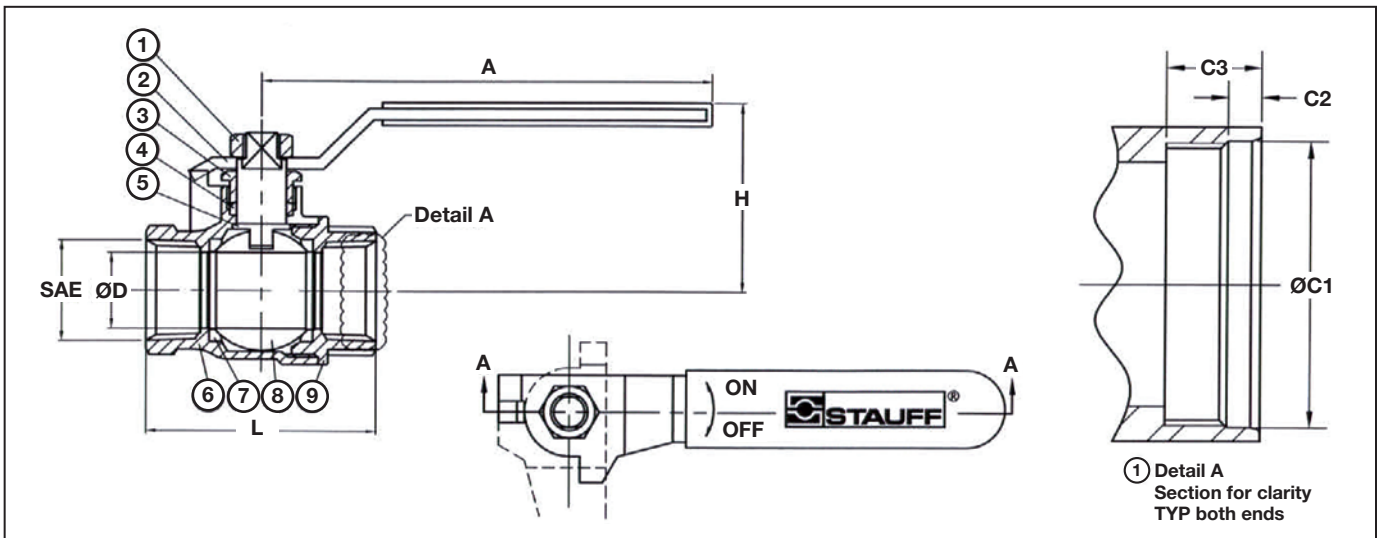
Specifications

- Brass Hot Stamping with Chrome Plated Brass Ball ¼" to 4"
- Pressure Rating to 600 PSI (WOG) (40 bar)
- Blow Out Proof Stem
- Teflon Seats, Seals & Thrust Washer
- Temperature to 320°F (160°C)
- Metal Handle
- All Valves are Full Port.



Options

- Limit Switches
- Locking Handles
- Actuator Packages Available
- Three-Way Style Available

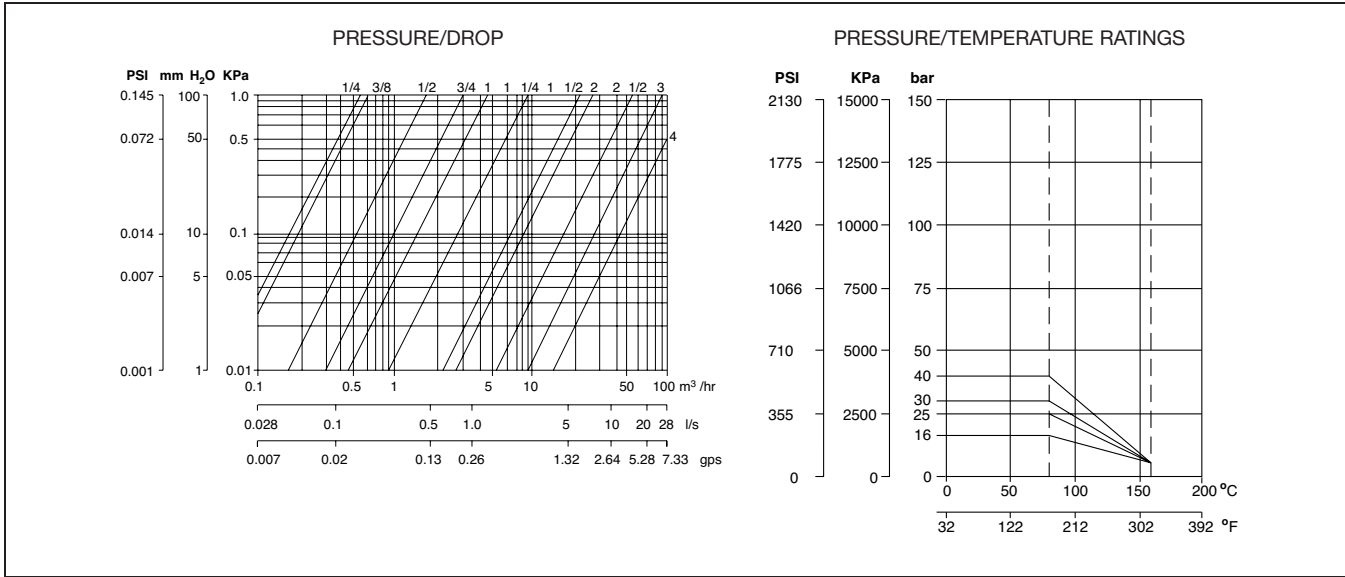


Dimensional Information

| N Pos | Part Name | Materials | N Pcs. |
|-------|----------------|----------------------|--------|
| 1 | BODY | BRASS UNI 5707-65 | 1 |
| 2 | END CONNECTION | BRASS UNI 5705-65 | 1 |
| 3 | BALL | BRASS UNI 5705-65 | 1 |
| 4 | SEAT MATERIAL | P.T.F.E. | 2 |
| 5 | STEM SEALS | P.T.F.E. | 2 |
| 6 | O-RING | NBR 75 Sh A | 1 |
| 7 | PACKING GLAND | BRASS UNI 5705-65 | 1 |
| 8 | NUT | PLATED STEEL | 2 |
| 9 | STEM | BRASS UNI 5705-65 | 1 |
| 10 | LEVER HANDLE | PLATED* STEEL | 1 |

| Part No. | Size NPT | ØA | C | B | ØH | CH | E | D | CV Factor | Max Working Pressure | Lbs Kg |
|--------------|--------------|-------------|--------------|--------------|-------------|-------------|--------------|---------------|---------------|----------------------|---------------|
| 2BVL-20 04 F | ¼" in mm | 0.39 10 | 0.39 10 | 2.02 51.5 | 0.90 23 | 0.78 20 | 3.85 98 | 1.75 44.5 | 6.29 40 | 928 PSI 64 Bar | 0.30 0.13 |
| 2BVL-20 06 F | ⅜" in mm | 0.39 10 | 0.40 10 | 2.02 51.5 | 0.90 23 | 0.78 20 | 3.85 98 | 1.75 44.5 | 6.99 40 | 928 PSI 64 Bar | 0.28 0.13 |
| 2BVL-20 08 F | ½" in mm | 0.59 15 | 0.53 13.6 | 2.44 62 | 1.25 32 | 0.98 25 | 3.85 98 | 1.88 48 | 19 40 | 435 PSI 30 Bar | 0.41 0.19 |
| 2BVL-20 12 F | ¾" in mm | 0.78 20 | 0.55 14 | 2.71 69 | 1.53 39 | 1.22 31 | 4.80 122 | 2.28 58 | 34.42 40 | 435 PSI 30 Bar | 0.67 0.30 |
| 2BVL-20 16 F | 1" in mm | 0.98 25 | 0.66 16.8 | 3.27 83 | 1.92 49 | 1.49 38 | 4.80 122 | 2.44 62 | 50.18 40 | 435 PSI 30 Bar | 1.09 0.50 |
| 2BVL-20 20 F | 1¼" in mm | 1.25 32 | 0.68 17.3 | 3.78 96 | 2.32 59 | 1.88 48 | 6.02 153 | 3.07 78 | 103.7 40 | 362 PSI 25 Bar | 2.01 0.90 |
| 2BVL-20 24 F | 1½" in mm | 1.57 40 | 0.68 17.3 | 4.25 108 | 2.87 73 | 2.12 54 | 6.02 153 | 3.34 85 | 268.41 40 | 362 PSI 25 Bar | 3.08 1.40 |
| 2BVL-20 32 F | 2" in mm | 1.96 50 | 0.69 17.7 | 4.96 126 | 3.38 86 | 2.63 67 | 6.37 162 | 3.79 96.5 | 309.2 40 | 362 PSI 25 Bar | 4.18 1.90 |
| 2BVL-20 40 F | 2½" in mm | 2.56 65 | 1.19 30.2 | 5.98 152 | 4.37 111 | 3.54 90 | 8.07 205 | 5.02 127.5 | 629 40 | 362 PSI 25 Bar | 8.00 3.60 |
| 2BVL-20 48 F | 3" in mm | 3.15 80 | 1.31 33.3 | 6.97 177 | 5.35 136 | 4.13 105 | 8.07 205 | 5.45 138.5 | 1018.17 40 | 362 PSI 25 Bar | 12.90 5.90 |
| 2BVL-20 64 B | 4" in mm | 3.94 100 | 1.55 39.3 | 8.43 214 | 6.35 166 | 5.12 130 | 10.23 260 | 6.34 161 | 1622 40 | 362 PSI 25 Bar | 22.04 10.0 |

Technical Information



Ordering Information

2BVL 2 0 08 F L

| Product Type | |
|--------------|----------------------------|
| 2BVL- | 2 Piece Low Pressure Valve |

| No. of Ports | |
|--------------|---|
| 2 - | 2 |

| Thread | |
|--------|-----------------------------------|
| 0- | NPT |
| 1- | SAE (UP TO 2") |
| R - | Modified BSP Thread (2 1/2" - 4") |

| Port Sizes | |
|------------|--------|
| 04 | 1/4" |
| 06 | 3/8" |
| 08 | 1/2" |
| 12 | 3/4" |
| *16 | 1" |
| *20 | 1 1/4" |
| *24 | 1 1/2" |
| *32 | 2" |
| +40 | 2 1/2" |
| +48 | 3" |
| +64 | 4" |

| Locking Device | |
|----------------|--------------------------|
| - | No Lock |
| L | With Lock |
| X | With Lock & Limit Switch |
| S | With Limit Switch Only |

Manufacturing Code

* SAE Threads Available
+ Modified BSP Available