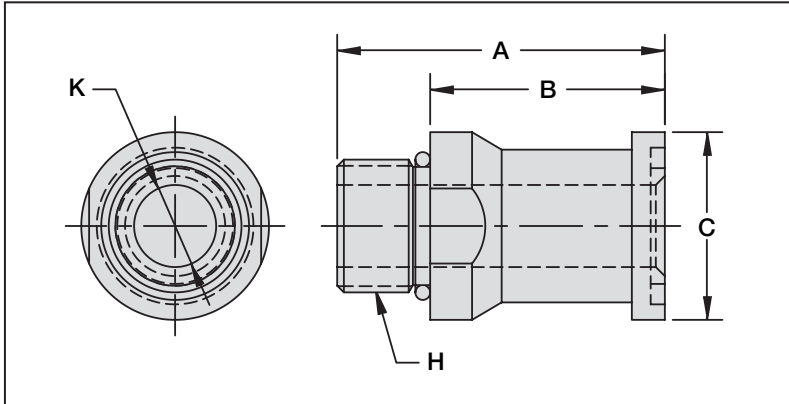


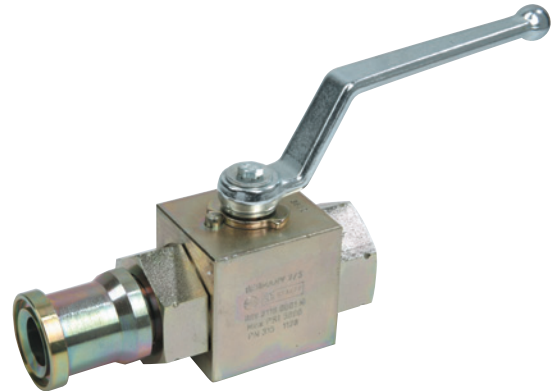
Split Flange End Connection Adaptor



Use these Carbon Steel (Zinc Plated) adaptors to extend the application range of Stauff SAE Threaded Valves by using High Pressure Adaptors on one or both ports. Maximum pressure to 7250 PSI (500 bar).

Part Number	Tube O.D.	Flange Size		A	B	C	H Thread	K
		Code 61	Code 62					
				in mm	in mm	in mm		in mm
302-12-12	3/4"	3/4"		2.48 62.99	1.88 47.75	1.50 38.10	1/16-12	0.66 16.76
302-16-16	1"	1"		2.48 62.99	1.88 47.75	1.75 44.45	1/16-12	0.88 22.35
302-20-20	1 1/4"	1 1/4"		3.00 76.20	2.4 60.96	2.00 50.80	1/8-12	1.1 27.94
302-24-24	1 1/2"	1 1/2"		3.01 76.45	2.41 61.21	2.38 60.45	1/8-12	1.3 33.02
302-32-32	2"	2"		3.50 88.90	2.4 60.96	2.81 71.37	2 1/2-12	1.8 45.72
602-12-12	3/4"		3/4"	2.48 62.99	1.88 47.75	1.62 41.15	1/16-12	0.66 16.76
602-16-16	1"		1"	2.48 62.99	1.88 47.75	1.87 47.50	1/16-12	0.88 22.35
602-20-20	1 1/4"		1 1/4"	2.82 71.62	2.23 56.64	2.12 53.85	1/8-12	1.1 27.94
602-24-24	1 1/2"		1 1/2"	3.19 81.03	2.41 61.21	2.50 63.50	1/8-12	1.3 33.02
602-32-32	2"		2"	3.60 91.44	3.00 76.20	3.12 79.25	2 1/2-12	1.8 45.72

*Note: Pressure rating of valve determines assembly pressure rating.



Step sizes are available.
Consult factory for information.