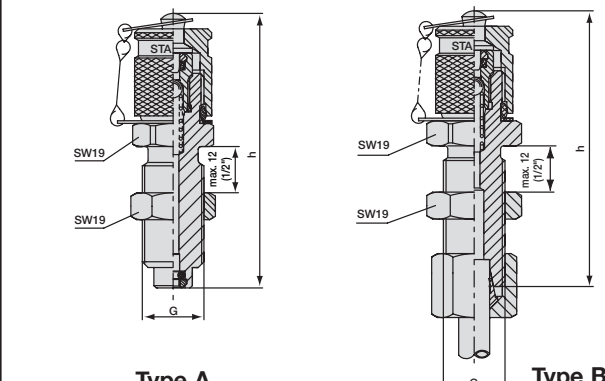


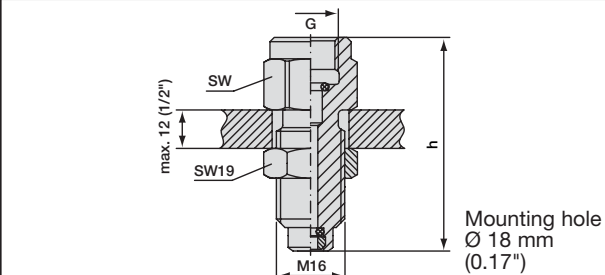
Bulkhead SSK (for gaseous medium use type SSKK)



G	h		Type	Order No.	
	mm	in		NBR (BUNA)	FPM (VITON) (Standard)
M16	72	2.8	A	SSK 20-P	SSK 20-V
M16 x 1.5 ¹⁾	72	2.8	B	SSK 20/08 S-P	SSK 20/08 S-V
M18 x 1.5 ¹⁾	72	2.8	B	SSK 20/12 L-P	SSK 20/12 L-V
⁷ / ₁₆ UNF (- 4 JIC)	63	2.48	A	N/A	SSK20- ⁷ / ₁₆ JIC-MV

¹⁾ Compression ring assembly 8 S/12 L acc. to DIN 2353

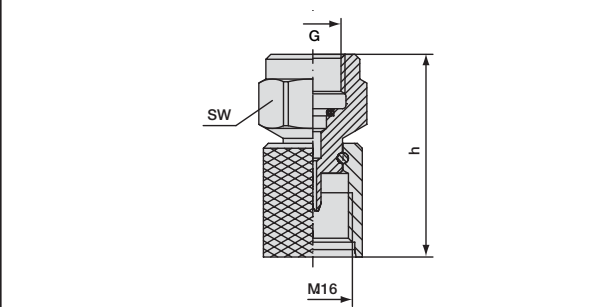
Gauge Adaptor SMA



G	h		SW	Order No.	
	mm	in		NBR (BUNA)	FPM (VITON) (Standard)
G 1/4	54	2.12	19 .75	SMA 20 - G 1/4 - P-OR	SMA 20 - G 1/4 - V-OR
G 1/2	64	2.52	27 1.06	SMA 20 - G 1/2 - P-OR	SMA 20 - G 1/2 - V-OR
1/4 NPT	54	2.12	19 .75	SMA 20 - 1/4 NPT-P	SMA 20 - 1/4 NPT-V
1/2 NPT	64	2.52	27 1.06	SMA 20 - 1/2 NPT-P	SMA 20 - 1/2 NPT-V

Snubber on request

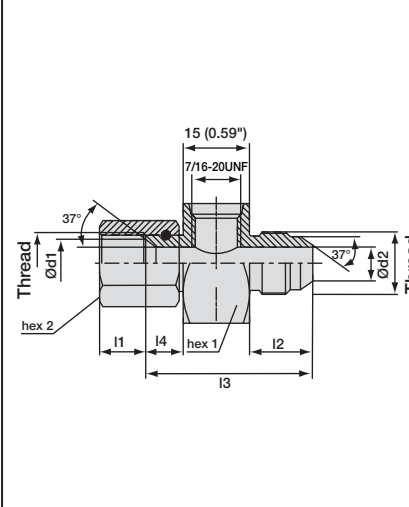
Direct Gauge Adaptor SMD



G	h		SW	Order No.	
	mm	in		NBR (BUNA)	FPM (VITON) (Standard)
G 1/4	41	1.61	19 .75	SMD 20 - G 1/4 - P-OR	SMD 20 - G 1/4 - V-OR
G 1/2	51	2.0	27 1.06	SMD 20 - G 1/2 - P-OR	SMD 20 - G 1/2 - V-OR
1/4 NPT	41	1.61	19 .75	SMD 20 - 1/4 NPT-P	SMD 20 - 1/4 NPT
1/2 NPT	51	2.0	27 1.06	SMD 20 - 1/2 NPT-P	SMD 20 - 1/2 NPT
					SMD 20 - ⁷ / ₁₆ UNF
					SMD 20 - ⁹ / ₁₆ UNF

Snubber on request

Swivel Run Tees SGV



Order Code Without Test Point										Order No.
Thread G	Ød1	Ød1	I1	I2	I3	I4	Hex1	Hex2		
		mm	in	mm	mm	mm	mm	mm	mm	mm
⁷ / ₁₆ - 20 UNF	.29	.19	.35	.55	1.46	.31	1.06	.67		SGV ⁷ / ₁₆ UNF - 04 - JIC 1/4 F/M
⁹ / ₁₆ - 18 UNF	.44	.32	.41	.56	1.48	.33	1.06	.75		SGV ⁹ / ₁₆ UNF - 06 - JIC 3/8 F/M
³ / ₄ - 16 UNF	.57	.43	.41	.66	1.92	.33	1.06	.87		SGV ³ / ₄ UNF - 08 - JIC 1/2 F/M

Order Code Including Test Point	
including SMK20- ⁷ / ₁₆ UNF-VE	including SKK20- ⁷ / ₁₆ UNF-VE
SMK 20 - 04- JIC 1/4 - F/M-1137	SKK 20 - 04- JIC 1/4 - F/M-1137
SMK 20 - 06- JIC 3/8 - F/M-1137	SKK 20 - 06- JIC 3/8 - F/M-1137
SMK 20 - 08- JIC 1/2 - F/M-1137	SKK 20 - 08- JIC 1/2 - F/M-1137

Other threads available on request.

TEST