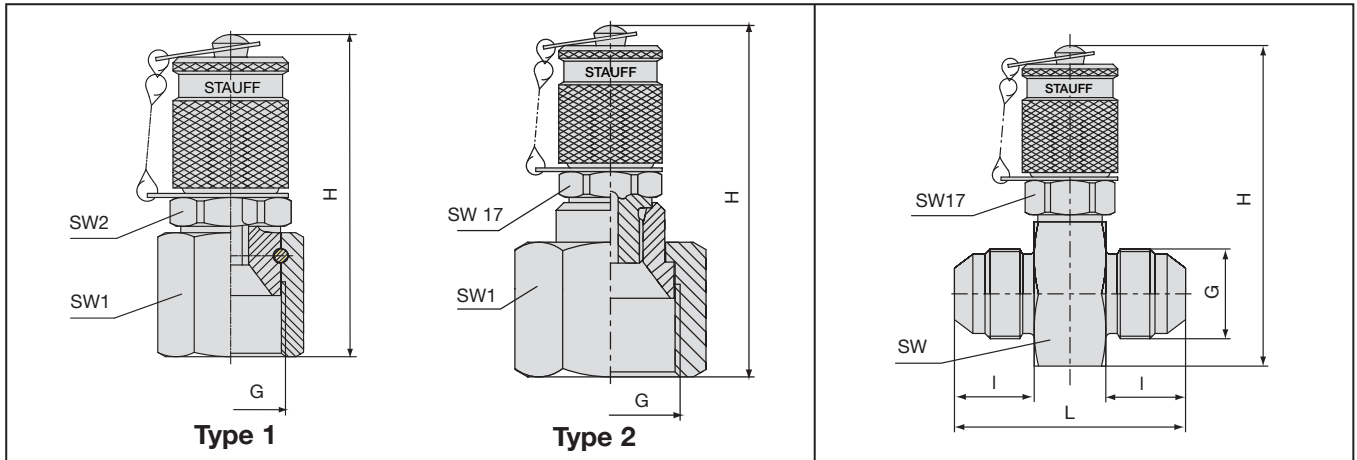
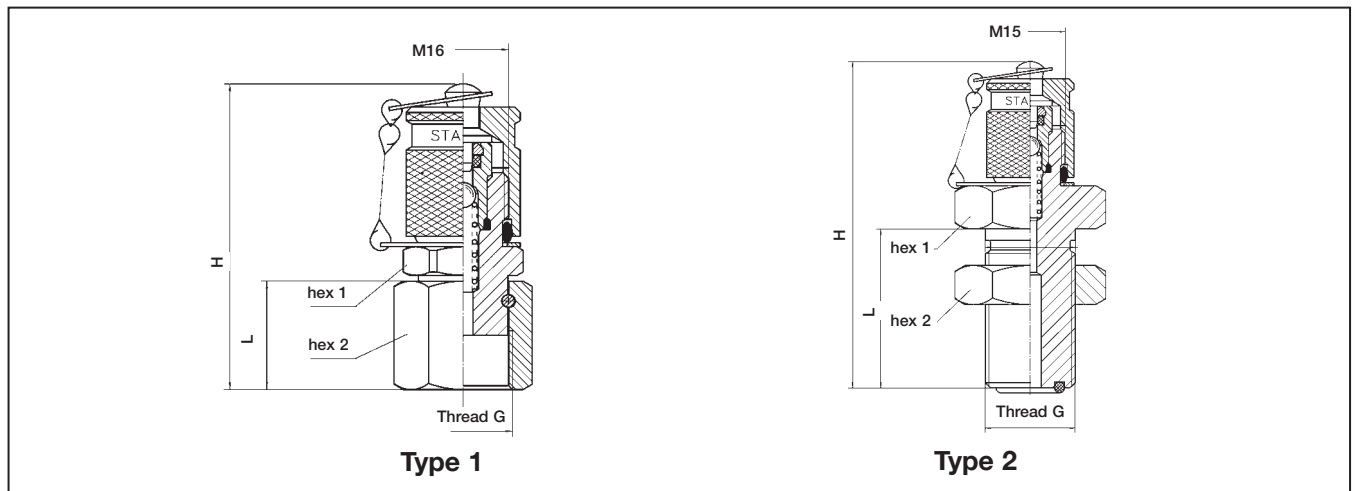


## Test Coupling SMK – JIC Connection (to SAE-J514)



Pipe Size inch	JIC Size	G UNF	H		SW 1	SW 2	Type	Order No.	H		SW	L	I	Order No.
			mm	inch					mm	inch				
1/4"	- 4	7/16" - 20	52	2.0	17	17	1	SMK20-JIC1/4-VK	61	2.4	24	43	14	SMK20-JIC1/4-VG
5/16"	- 5	1/2" - 20	53	2.0	17	17	1	SMK20-JIC5/16-VK	61	2.4	24	43	14	SMK20-JIC5/16-VG
3/8"	- 6	9/16" - 18	55	2.1	19	17	1	SMK20-JIC3/8-VK	61	2.4	24	43.2	14.1	SMK20-JIC3/8-VG
1/2"	- 8	3/4" - 16	56	2.2	22	19	1	SMK20-JIC1/2-VK	67	2.6	30	48.4	16.7	SMK20-JIC1/2-VG
5/8"	- 10	7/8" - 14	59	2.3	27	22	1	SMK20-JIC5/8-VK	67	2.6	30	53.6	19.3	SMK20-JIC5/8-VG
3/4"	- 12	1-1/16" - 12	70	2.7	32		2	SMK20-JIC3/4-VK	73	2.8	36	58.8	21.9	SMK20-JIC3/4-VG
1"	- 16	1-5/16" - 12	69	2.7	38		2	SMK20-JIC1-VK	78	3.0	41	61.2	23.1	SMK20-JIC1-VG
1 1/4"	- 20	1-5/8" - 12	72	2.8	50		2	SMK20-JIC1 1/4-VK	83	3.3	46	65.6	24.3	SMK20-JIC1 1/4-VG
1 1/2"	- 24	1-7/8" - 12	75	2.9	60		2	SMK20-JIC1 1/2-VK	92	3.6	55	72	27.5	SMK20-JIC1 1/2-VG

## Test Coupling SSK/SMK – ORFS Connection



Order Number	Type	Thread G	H		L		Hex 1		Hex 2	
			mm	in	mm	in	mm	in	mm	in
SSK20-04-ORFS-V	2	9/16" - 18 UNF	75	2.9	36	1.40	22	0.87	22	0.87
SSK20-06-ORFS-V	2	11/16" - 16 UNF	75	2.9	36	1.40	27	1.06	27	1.06
SSK20-08-ORFS-V	2	13/16" - 16 UNF	75	2.9	36	1.40	30	1.20	30	1.20
SMK20-04-ORFS-V	1	9/16" - 18 UNF	54	2.1	19	0.75	17	0.67	17	0.67
SMK20-06-ORFS-V	1	11/16" - 16 UNF	54	2.1	19	0.75	19	0.75	21	0.80
SMK20-08-ORFS-V	1	13/16" - 16 UNF	54	2.1	19	0.75	22	0.87	24	0.87

\* For EPDM seals replace "V" with "E"

TEST