

**Fast Coupling for:**

- Monitoring and control of pressure
- Venting
- Sampling Fluids

**Advantages:**

- Test system at working pressure
- Connection is leakproof before **ball check** is open
- Simple connection to measurement, control and switching devices
- Self locking metal protective cap
- Minimizes introduction of contamination into hydraulic systems

**Working Pressure:**

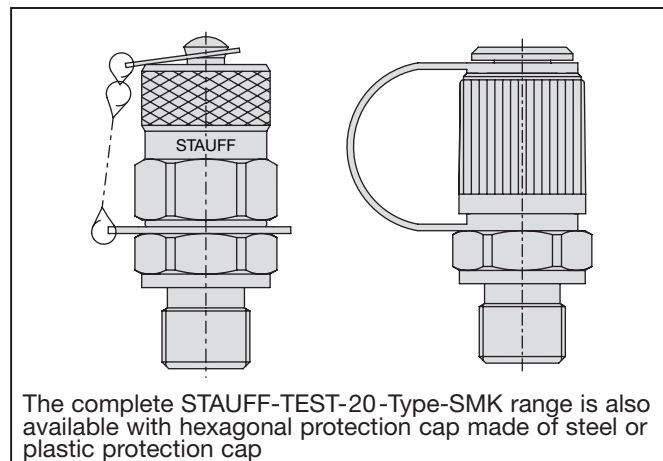
- Max. working pressure 9000 PSI (630 bar)  
For SMK style G, K and S the recommended working pressure of fitting manufacturer should be noted
- Connection under pressure up to 5800 PSI (400 bar) max.

**Materials:**

- Metal parts: Steel, Stainless Steel on request
- Ball: Stainless Steel
- Seals:
  - Standard  
V = FPM-VITON Temperature range - 4°F to +392°F (- 20° C to +200° C)
  - Optional  
P = NBR-BUNA Temperature range - 4°F to +195°F (- 20° C to +90° C)
  - E = EPDM Ethylene Propylene (for Brake Fluid)  
Temperature range - 40°F to +302°F (- 40° C to + 150° C)
- Hose: Polyamide Temperature range -31°F to +212°F (-35° C to +100° C)

**Media:**

- Suitable for hydraulic oils and other mineral based fluids (Check compatibility of seal material)
- For use with other liquid media, low viscosity media or gaseous media please consult STAUFF details
- SMK20 - 1/4" NPT - VD-ETG version available for severe shock / vibration applications



The complete STAUFF-TEST-20-Type-SMK range is also available with hexagonal protection cap made of steel or plastic protection cap



**Test 20 Type SMK Connection Thread M 16 x 2**

**Test Coupling with Protective Cap SMK**

	Thread G	h		Hex mm in	Order No.		Seal Type (see below)	
		mm	in		NBR (BUNA)	FPM (VITON) (Standard)		
	M 8 x 1	37	1.46	17	0.67	SMK 20 – M 8 x 1 – PA	SMK 20 – M 8 x 1 – VA	O-Ring Type A
	M 10 x 1	37	1.46	17	0.67	SMK 20 – M 10 x 1 – PA	SMK 20 – M 10 x 1 – VA	O-Ring Type A
	M 12 x 1,5	37	1.46	17	0.67	SMK 20 – M 12 x 1.5 – PC	SMK 20 – M 12 x 1.5 – VC	O-Ring Type C
	M 14 x 1,5	37	1.46	19	0.75	SMK 20 – M 14 x 1.5 – PB	SMK 20 – M 14 x 1.5 – VB	Metal joint Type B
	M 16 x 1,5	37	1.46	22	0.87	SMK 20 – M 16 x 1.5 – PB	SMK 20 – M 16 x 1.5 – VB	Metal joint Type B
	G 1/8	39	1.54	17	0.67	SMK 20 – G 1/8 – PC	SMK 20 – G 1/8 – VC	O-Ring Type C
	G 1/4	37	1.46	19	0.75	SMK 20 – G 1/4 – PB	SMK 20 – G 1/4 – VB	Metal joint Type B
	G 1/4	37	1.46	19	0.75	SMK 20 – G 1/4 – PC	SMK 20 – G 1/4 – VC	O-Ring Type C
	G 3/8	37	1.46	22	0.87	SMK 20 – G 3/8 – PB	SMK 20 – G 3/8 – VB	Metal joint Type B
	R 1/8 taper	37	1.46	17	0.67	SMK 20 – R 1/8 K-PD	SMK 20 – R 1/8 K-VD	Taper Type D
	R 1/4 taper	36	1.42	17	0.67	SMK 20 – R 1/4 K-PD	SMK 20 – R 1/4 K-VD	Taper Type D
	1/8 NPT	36	1.42	17	0.67	SMK 20 – 1/8 NPT-PD	SMK 20 – 1/8 NPT-VD	Taper Type D
	1/4 NPT	35	1.38	17	0.67	SMK 20 – 1/4 NPT-PD	SMK 20 – 1/4 NPT-VD	Taper Type D
	5/16 – 24 UNF	38	1.50	17	0.67	SMK 20 – 5/16 UNF-PE	SMK 20 – 5/16 UNF-VE	O-Ring Type E
	7/16 – 20 UNF	38	1.50	17	0.67	SMK 20 – 7/16 UNF-PE	SMK 20 – 7/16 UNF-VE	O-Ring Type E
	1/2 – 20 UNF	38	1.50	17	0.67	SMK 20 – 1/2 UNF-PE	SMK 20 – 1/2 UNF-VE	O-Ring Type E
	9/16 – 18 UNF	37	1.46	19	0.75	SMK 20 – 9/16 UNF-PE	SMK 20 – 9/16 UNF-VE	O-Ring Type E
	3/4 – 16 UNF	37	1.46	19	0.75	—	SMK 20 – 3/4 UNF-VE	O-Ring Type E

To order hexagonal protection cap, add "SK" to part number. To order Plastic Protection cap, add "KK" to part number.  
Other port connections and seals on request.

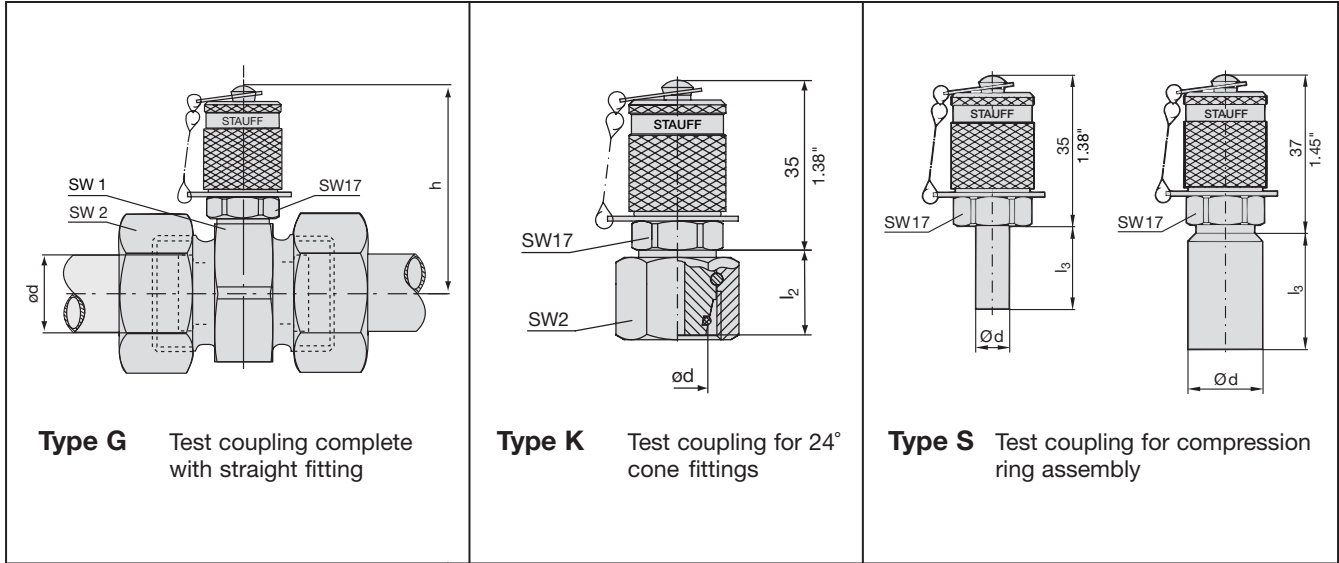
TEST

**Port Connections and Seals**

Type A				Type B					Type C					Type D			Type E (ISO 6149)					
G	d1	t1	t2	G	d1	t1	t2	a	G	d1	t1	t2	a	G	t1	t2	G	d1	d2	t1	t2	a
	mm	mm	mm		mm	mm	mm	mm		mm	mm	mm	mm		mm	mm		mm	mm	mm	mm	mm
	in	in	in		in	in	in	in		in	in	in	in		in	in		in	in	in	in	in
M 8 x 1	9,5	11	15,5	M 14 x 1,5	20	12	18,5	1,5	M 12 x 1,5	18	12	18,5	1,5	R 1/8 taper	5,5	9,5	5/16 – 24 UNF	9,1	17	10	12	1,9
	0.37	0.43	0.61		0.79	0.47	0.73	0.06		0.71	0.47	0.73	0.06		0.22	0.37		0.36	0.67	0.39	0.47	0.07
M 10 x 1	11,5	12	16,5	M 16 x 1,5	22	12	18,5	1,5	G 1/8	15	8	13	1,0	R 1/4 taper	8,5	13,5	7/16 – 20 UNF	12,4	21	11,5	14	2,4
	0.45	0.47	0.65		0.87	0.47	0.73	0.06		0.59	0.31	0.51	0.04		0.33	0.53		0.49	0.83	0.45	0.55	0.09
M 10 x 1.25	11,5	12	16,5	G 1/4	19	12	18,5	1,5	G 1/4	19	12	18,5	1,5	1/8 NPT	6,9	11,6	1/2 – 20 UNF	14	23	11,5	14	2,4
	0.45	0.47	0.65		0.75	0.47	0.73	0.06		0.75	0.47	0.73	0.06		0.27	0.46		0.55	0.91	0.45	0.55	0.09
				G 3/8	23	12	18,5	2						1/4 NPT	10	16,4	9/16 – 18 UNF	15,6	25	12,7	15,5	2,5
					0.91	0.47	0.73	0.08							0.39	0.65	3/4 – 16 UNF	20,6	30,5	14,3	17,5	2,5
																		0.61	0.98	0.50	0.61	0.10
																		0.81	1.20	0.56	0.69	0.10

## Test Coupling SMK (Compression Ring Fittings acc. to DIN 2353) - Metric Tubing

TEST



**Type G** Test coupling complete with straight fitting

**Type K** Test coupling for 24° cone fittings

**Type S** Test coupling for compression ring assembly

Series	PN	Pipe Ød	l <sub>2</sub>		l <sub>3</sub>		h		SW 1		SW 2		Order No.*		
			mm	in	mm	in	mm	in	mm	in	mm	in	Type G	Type K	Type S
L	315	6	15,5	0.61	20	0.79	49	1.93	24	0.94	14	0.55	SMK 20 – 6L-VG	SMK 20 – 6L-VK	SMK 20 – 6-VS
		8	15,5	0.61	20	0.79	49	1.93	24	0.94	17	0.67	SMK 20 – 8L-VG	SMK 20 – 8L-VK	SMK 20 – 8-VS
		10	16,5	0.65	22	0.87	49	1.93	24	0.94	19	0.75	SMK 20 – 10L-VG	SMK 20 – 10L-VK	SMK 20 – 10-VS
		12	17,5	0.69	22	0.87	50,5	1.99	27	1.06	22	0.87	SMK 20 – 12L-VG	SMK 20 – 12L-VK	SMK 20 – 12-VS
		15	21	0.83	25	0.98	52	2.05	30	1.18	27	1.06	SMK 20 – 15L-VG	SMK 20 – 15L-VK	SMK 20 – 15-VS
		18	19,5	0.77	28	1.10	53	2.09	32	1.26	32	1.26	SMK 20 – 18L-VG	SMK 20 – 18L-VK	SMK 20 – 18-VS
	160	22	20,5	0.81	30	1.18	55	2.17	36	1.42	36	1.42	SMK 20 – 22L-VG	SMK 20 – 22L-VK	SMK 20 – 22-VS
		28	25	0.98	32	1.26	57,5	2.26	41	1.61	41	1.61	SMK 20 – 28L-VG	SMK 20 – 28L-VK	SMK 20 – 28-VS
		35	30	1.18	42	1.65	60	2.36	46	1.81	50	1.97	SMK 20 – 35L-VG	SMK 20 – 35L-VK	SMK 20 – 35-VS
		42	31	1.22	45	1.77	64,5	2.54	55	2.17	60	2.36	SMK 20 – 42L-VG	SMK 20 – 42L-VK	SMK 20 – 42-VS
S	630	6	14,5	0.57	20	0.79	49	1.93	24	0.94	17	0.67	SMK 20 – 6S-VG	SMK 20 – 6S-VK	SMK 20 – 6-VS
		8	16,5	0.65	20	0.79	49	1.93	24	0.94	19	0.75	SMK 20 – 8S-VG	SMK 20 – 8S-VK	SMK 20 – 8-VS
		10	16,5	0.65	22	0.87	49	1.93	24	0.94	22	0.87	SMK 20 – 10S-VG	SMK 20 – 10S-VK	SMK 20 – 10-VS
		12	17,5	0.69	22	0.87	49	1.93	24	0.94	24	0.94	SMK 20 – 12S-VG	SMK 20 – 12S-VK	SMK 20 – 12-VS
		14	19,5	0.77	22	0.87	50,5	1.99	27	1.06	27	1.06	SMK 20 – 14S-VG	SMK 20 – 14S-VK	SMK 20 – 14-VS
	400	16	18	0.71	28	1.10	52	2.05	30	1.18	30	1.18	SMK 20 – 16S-VG	SMK 20 – 16S-VK	SMK 20 – 16-VS
		20	24	0.94	30	1.18	55	2.17	36	1.42	36	1.42	SMK 20 – 20S-VG	SMK 20 – 20S-VK	SMK 20 – 20-VS
		25	26	1.02	36	1.42	57,5	2.26	41	1.61	46	1.81	SMK 20 – 25S-VG	SMK 20 – 25S-VK	SMK 20 – 25-VS
		30	30	1.18	41	1.61	60	2.36	46	1.81	50	1.97	SMK 20 – 30S-VG	SMK 20 – 30S-VK	SMK 20 – 30-VS
		315	38	1.34	48	1.89	64,5	2.54	55	2.17	60	2.36	SMK 20 – 38S-VG	SMK 20 – 38S-VK	SMK 20 – 38-VS

\* For EPDM seals replace "V" with "E"