

**Fast Coupling for:**

- Monitoring and control of pressure
- Venting
- Sampling Fluids

**Advantages:**

- Coupling at system pressure level
- Connection is leakproof before **piston valve** is open
- Simple connection to measurement, control and switching devices
- Self locking metal protective cap

**Working Pressure:**

- Max. working pressure 9000 PSI (630 bar)  
For SKK type G, K and S the recommended working pressure of fitting manufacturer should be noted
- Connection under pressure up to 5800 PSI (400 bar) max.

**Materials:**

- Metal parts: Steel, Stainless Steel on request
- Seals:

Standard

V = FPM-VITON Temperature range      - 4°F to + 392°F  
 (- 20°C to + 200°C)

Optional

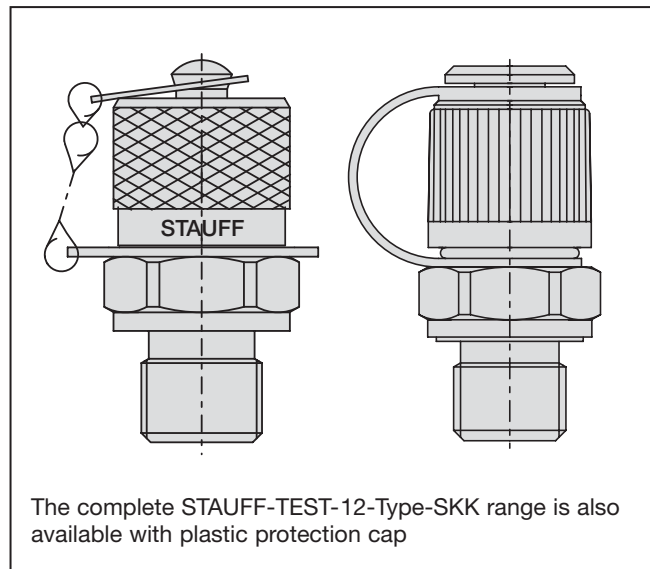
P = NBR-BUNA Temperature range      - 4°F to + 195°F  
 (- 20°C to + 90°C)

E = EPDM Ethylene Propylene (for Brake Fluid)  
 Temperature range                      - 40°F to + 302°F  
 (- 40°C to + 150°C)

- Hose: Polyamide Temperature range      -31°F to + 212°F  
 (-35°C to + 100°C)

**Media:**

- Suitable for hydraulic oils and other low viscosity mineral oil based fluids (check compatibility of seal material)
- For use with other liquid or gaseous media, please consult STAUFF for details



**Test Coupling with Protective Cap SKK**

Thread G	h		Hex		Order No.		Seal
	mm	in	mm	in	NBR (BUNA)	FPM (VITON) (Standard)	
M8 x 1	37	1.46	14	0.55	SKK 12 – M8 x 1 – PA	SKK 12 – M8 x 1 – VA	O-Ring Type A
M10 x 1	34	1.34	14	0.55	SKK 12 – M10 x 1 – PA	SKK 12 – M10 x 1 – VA	O-Ring Type A
M12 x 1,5	31	1.22	17	0.67	SKK 12 – M12 x 1,5 – PC	SKK 12 – M12 x 1,5 – VC	O-Ring Type C
M14 x 1,5	31	1.22	19	0.75	SKK 12 – M14 x 1,5 – PB	SKK 12 – M14 x 1,5 – VB	Metal joint Type B
M16 x 1,5	31	1.22	22	0.87	SKK 12 – M16 x 1,5 – PB	SKK 12 – M16 x 1,5 – VB	Metal joint Type B
G 1/8	40	1.57	14	0.55	SKK 12 – G 1/8 – PC	SKK 12 – G 1/8 – VC	O-Ring Type C
G 1/4	31	1.22	19	0.75	SKK 12 – G 1/4 – PB	SKK 12 – G 1/4 – VB	Metal joint Type B
G 1/4	31	1.22	19	0.75	SKK 12 – G 1/4 – PC	SKK 12 – G 1/4 – VC	O-Ring Type C
G 3/8	31	1.22	22	0.87	SKK 12 – G 3/8 – PB	SKK 12 – G 3/8 – VB	Metal joint Type B
R 1/8 taper	33	1.30	14	0.55	SKK 12 – R 1/8 K-PD	SKK 12 – R 1/8 K-VD	Taper Type D
R 1/4 taper	30	1.18	14	0.55	SKK 12 – R 1/4 K-PD	SKK 12 – R 1/4 K-VD	Taper Type D
1/8 NPT	33	1.30	14	0.55	SKK 12 – 1/8 NPT-PD	SKK 12 – 1/8 NPT-VD	Taper Type D
1/4 NPT	28	1.10	14	0.55	SKK 12 – 1/4 NPT-PD	SKK 12 – 1/4 NPT-VD	Taper Type D
5/16 – 24 UNF	34,5	1.36	17	0.67	SKK 12 – 5/16 UNF-PE	SKK 12 – 5/16 UNF-VE	O-Ring Type E
7/16 – 20 UNF	33	1.30	17	0.67	SKK 12 – 7/16 UNF-PE	SKK 12 – 7/16 UNF-VE	O-Ring Type E
1/2 – 20 UNF	32	1.26	17	0.67	SKK 12 – 1/2 UNF-PE	SKK 12 – 1/2 UNF-VE	O-Ring Type E
9/16 – 18 UNF	32	1.26	19	0.75	SKK 12 – 9/16 UNF-PE	SKK 12 – 9/16 UNF-VE	O-Ring Type E

\* Special thread:  
buttress thread S12.65 x 1.5

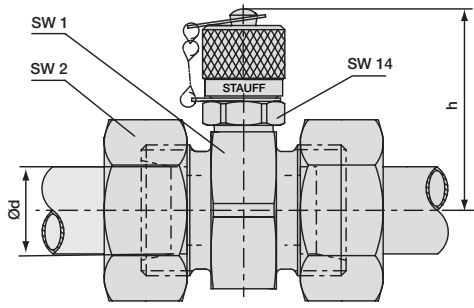
Other port connections and seals available upon request.

**Port Connections and Seals**

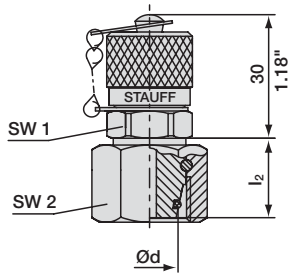
Type A				Type B					Type C					Type D			Type E (ISO 6149)						
<b>G</b>	<b>d<sub>1</sub></b>	<b>t<sub>1</sub></b>	<b>t<sub>2</sub></b>	<b>G</b>	<b>d<sub>1</sub></b>	<b>t<sub>1</sub></b>	<b>t<sub>2</sub></b>	<b>a</b>	<b>G</b>	<b>d<sub>1</sub></b>	<b>t<sub>1</sub></b>	<b>t<sub>2</sub></b>	<b>a</b>	<b>G</b>	<b>t<sub>1</sub></b>	<b>t<sub>2</sub></b>	<b>G</b>	<b>d<sub>1</sub></b>	<b>d<sub>2</sub></b>	<b>t<sub>1</sub></b>	<b>t<sub>2</sub></b>	<b>a</b>	
	mm in	mm in	mm in		mm in	mm in	mm in	mm in		mm in	mm in	mm in	mm in		mm in	mm in			mm in	mm in	mm in	mm in	mm in
M8 x 1	9,5 + 0,1 0.37	11 0.43	15,5 0.61	M14 x 1,5	20 0.79	12 0.47	18,5 0.73	1,5 0.06	M12 x 1,5	18 0.71	12 0.47	18,5 0.73	1,5 0.06	R 1/8 taper	5,5 0.22	9,5 0.37	5/16 – 24 UNF	9,1 0.36	17 0.67	10 0.39	12 0.47	1,9 0.07	
M10 x 1	11,5 + 0,1 0.45	12 0.47	16,5 0.65	M16 x 1,5	22 0.87	12 0.47	18,5 0.73	1,5 0.06	G 1/8	15 0.59	8 0.31	13 0.51	1,0 0.04	R 1/4 taper	8,5 0.33	13,5 0.53	7/16 – 20 UNF	12,4 0.49	21 0.83	11,5 0.45	14 0.55	2,4 0.09	
				G 1/4	19 0.75	12 0.47	18,5 0.73	1,5 0.06	G 1/4	19 0.75	12 0.47	18,5 0.73	1,5 0.06	1/8 NPT	6,9 0.27	11,6 0.46	1/2 – 20 UNF	14 0.55	23 0.91	11,5 0.45	14 0.55	2,4 0.09	
				G 3/8	23 0.91	12 0.47	18,5 0.73	2 0.08						1/4 NPT	10 0.39	16,4 0.65	9/16 – 18 UNF	15,6 0.61	25 0.98	12,7 0.50	15,5 0.61	2,5 0.10	

## Test Coupling SKK (compression ring fittings acc. to DIN 2353) - Metric Tubing

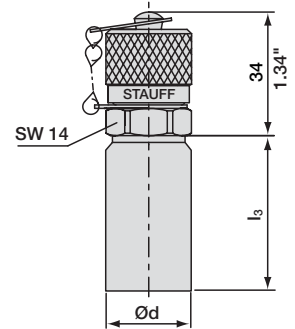
TEST



**Type G** Test coupling complete with straight fitting



**Type K** Test coupling for 24° cone fittings



**Type S** Test coupling for compression ring assembly

Series	PN	Pipe Ød	l <sub>2</sub>		l <sub>3</sub>		h		SW 1		SW 2		Order No.*		
			mm	in	mm	in	mm	in	mm	in	mm	in	Type G	Type K	Type S
L	315	6	15,5	0.61	20	0.79	46	1.81	24	0.94	14	0.55	SKK 12 - 6L-VG	SKK 12 - 6L-VK	SKK 12 - 6-VS
		8	15,5	0.61	20	0.79	46	1.81	24	0.94	17	0.67	SKK 12 - 8L-VG	SKK 12 - 8L-VK	SKK 12 - 8-VS
		10	16,5	0.65	22	0.87	46	1.81	24	0.94	19	0.75	SKK 12 - 10L-VG	SKK 12 - 10L-VK	SKK 12 - 10-VS
		12	17,5	0.69	22	0.87	47,5	1.87	27	1.06	22	0.87	SKK 12 - 12L-VG	SKK 12 - 12L-VK	SKK 12 - 12-VS
		15	21	0.83	25	0.98	49	1.93	30	1.18	27	1.06	SKK 12 - 15L-VG	SKK 12 - 15L-VK	SKK 12 - 15-VS
		18	19,5	0.77	28	1.10	50	1.97	32	1.26	32	1.26	SKK 12 - 18L-VG	SKK 12 - 18L-VK	SKK 12 - 18-VS
	160	22	20,5	0.81	30	1.18	52	2.05	36	1.42	36	1.42	SKK 12 - 22L-VG	SKK 12 - 22L-VK	SKK 12 - 22-VS
		28	25	0.98	32	1.26	54,5	2.15	41	1.61	41	1.61	SKK 12 - 28L-VG	SKK 12 - 28L-VK	SKK 12 - 28-VS
		35	30	1.18	42	1.65	57	2.24	46	1.81	50	1.97	SKK 12 - 35L-VG	SKK 12 - 35L-VK	SKK 12 - 35-VS
		42	31	1.22	45	1.77	61,5	2.42	55	2.17	60	2.36	SKK 12 - 42L-VG	SKK 12 - 42L-VK	SKK 12 - 42-VS
S	630	6	14,5	0.57	20	0.79	46	1.81	24	0.94	17	0.67	SKK 12 - 6S-VG	SKK 12 - 6S-VK	SKK 12 - 6-VS
		8	16,5	0.65	20	0.79	46	1.81	24	0.94	19	0.75	SKK 12 - 8S-VG	SKK 12 - 8S-VK	SKK 12 - 8-VS
		10	16,5	0.65	22	0.87	46	1.81	24	0.94	22	0.87	SKK 12 - 10S-VG	SKK 12 - 10S-VK	SKK 12 - 10-VS
		12	17,5	0.69	22	0.87	46	1.81	24	0.94	24	0.94	SKK 12 - 12S-VG	SKK 12 - 12S-VK	SKK 12 - 12-VS
		14	19,5	0.77	22	0.87	47,5	1.87	27	1.06	27	1.06	SKK 12 - 14S-VG	SKK 12 - 14S-VK	SKK 12 - 14-VS
	400	16	18	0.71	28	1.10	49	1.93	30	1.18	30	1.18	SKK 12 - 16S-VG	SKK 12 - 16S-VK	SKK 12 - 16-VS
		20	24	0.94	30	1.18	52	2.05	36	1.42	36	1.42	SKK 12 - 20S-VG	SKK 12 - 20S-VK	SKK 12 - 20-VS
		25	26	1.02	36	1.42	54,5	2.15	41	1.61	46	1.81	SKK 12 - 25S-VG	SKK 12 - 25S-VK	SKK 12 - 25-VS
		30	30	1.18	41	1.61	57	2.24	46	1.81	50	1.97	SKK 12 - 30S-VG	SKK 12 - 30S-VK	SKK 12 - 30-VS
		315	38	34	1.34	48	1.89	61,5	2.42	55	2.17	60	2.36	SKK 12 - 38S-VG	SKK 12 - 38S-VK

\* For EPDM seals replace "V" with "E"