



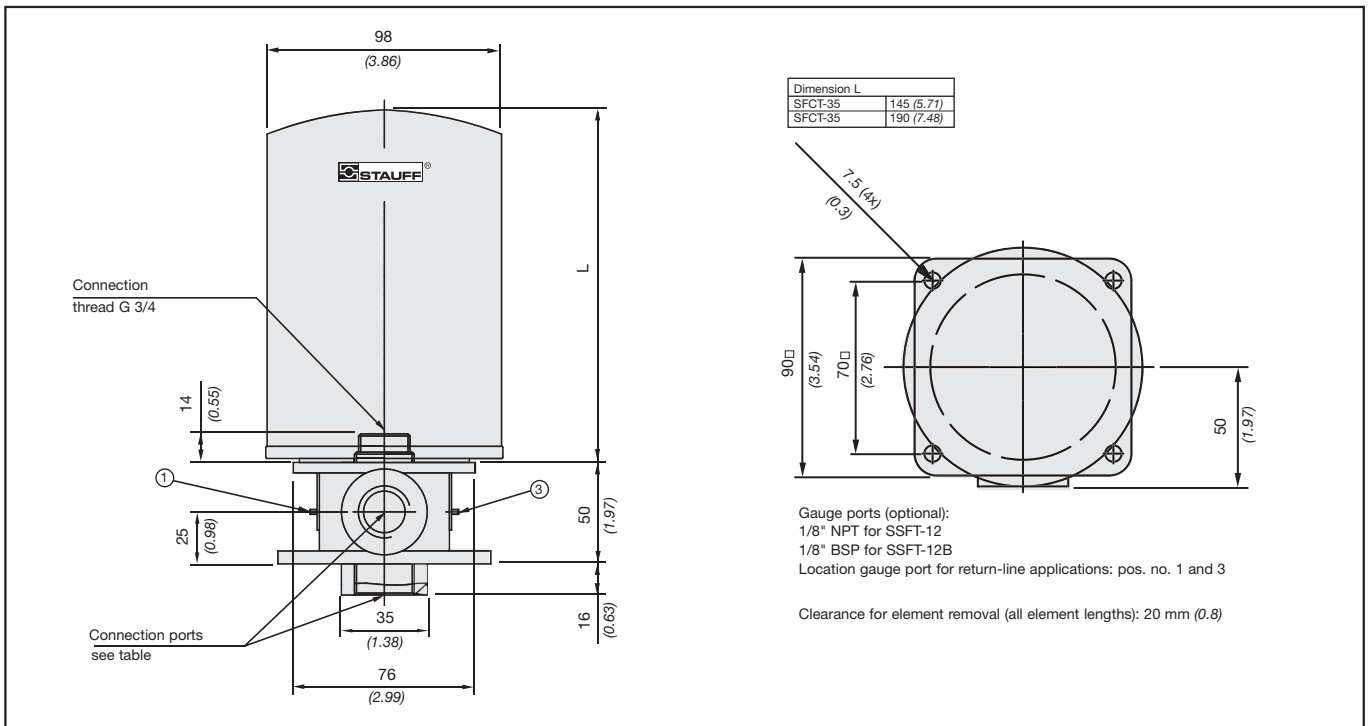
Tank Top Spin-On Filters SSFT12

Technical Specification

Construction	Die cast aluminium head
Seals	NBR (Buna-N®)
Port connections	BSP and NPT
Flow rate	75 l/min (20 US GPM)
Working pressure	max 7 bar (100 PSI)
Operating temperature	-30°C to +100°C (-22°F to 212°F)
By-pass valve	1 bar (15 PSI) by-pass integrated in the filter element
Clogging indicators	Pressure gauge with colored segments, Electrical 0.35...2.5 bar (5...35 PSI) adjustable see page F92
Elements	For use with SFCT-35/36 series elements, for element types and flow characteristics see pages F89...F91
Media	Mineral oils, other fluids on request



Dimensions



Dimensions in mm (inch)

FILTRATION

Ordering Code

SSFT 12 - 1

Filter Type **SSFT**

Port Options		
Code	Connection Style	
12B	BSP	G 3/4
12	NPT	3/4 NPT

Indicator Port Options	
Code	Description
0	No indicator port
1	Gauge port drilled-return
9	Special

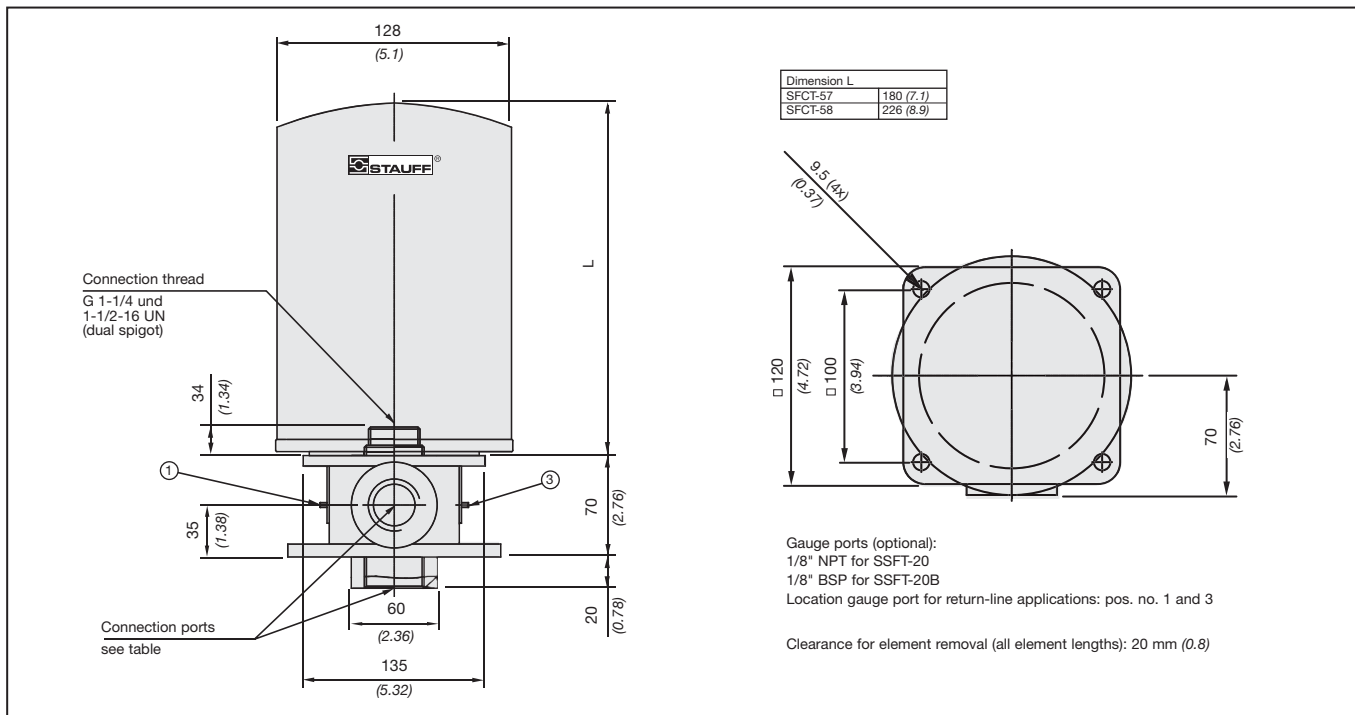
Note: Standard gauge port for SSFT-12B is G1/8". Standard gauge port for SSFT-12 is 1/8" NPTF.

Technical Specification

Construction	Die cast aluminium head
Seals	NBR (Buna-N®)
Port connections	BSP and NPT
Flow rate	200 l/min (53 US GPM)
Working pressure	max 7 bar (100 PSI)
Operating temperature	-30°C to +100°C (-22°F to 212°F)
By-pass valve	1 bar (15 PSI) by-pass integrated in the filter element
Clogging indicators	Pressure gauge with colored segments, Electrical 0.35...2.5 bar (5...35 PSI) adjustable see page F92
Elements	For use with SFCT-57/58 series elements, For element types and flow characteristics see pages F89...F91
Media	Mineral oils, other fluids on request



Dimensions



Dimensions in mm (inch)

Ordering Code

SSFT 20 - 1

Filter Type	SSFT	
--------------------	------	--

Port Options		
Code	Connection Style	
20B	BSP	G 1 1/2
20	NPT	1 1/2 NPT

Indicator Port Options	
Code	Description
0	No indicator port
1	Gauge port drilled-return
9	Special

Note: Standard gauge port for SSFT-20B is G 1/8". Standard gauge port for SSFT-20 is 1/8" NPTF.