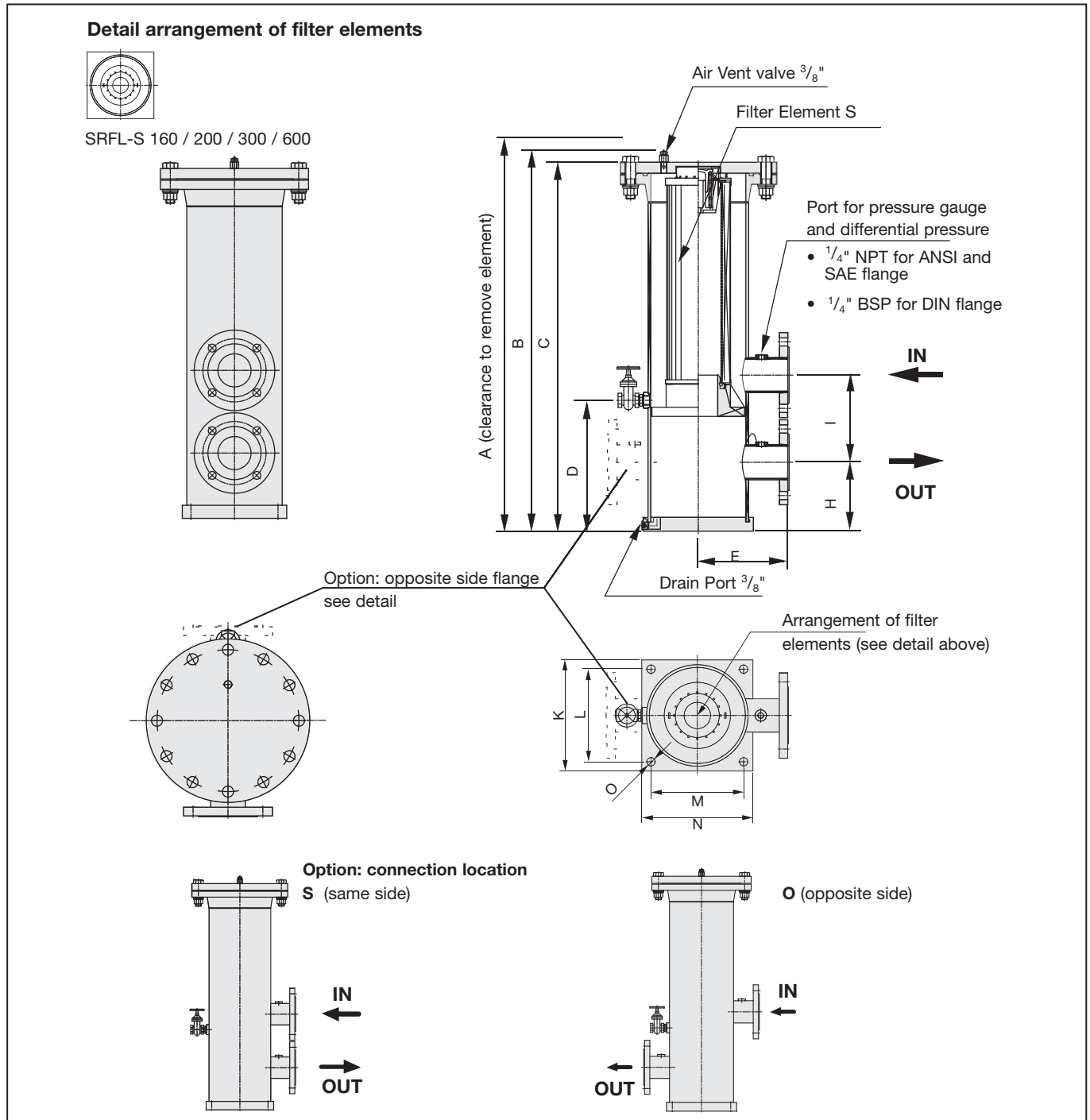


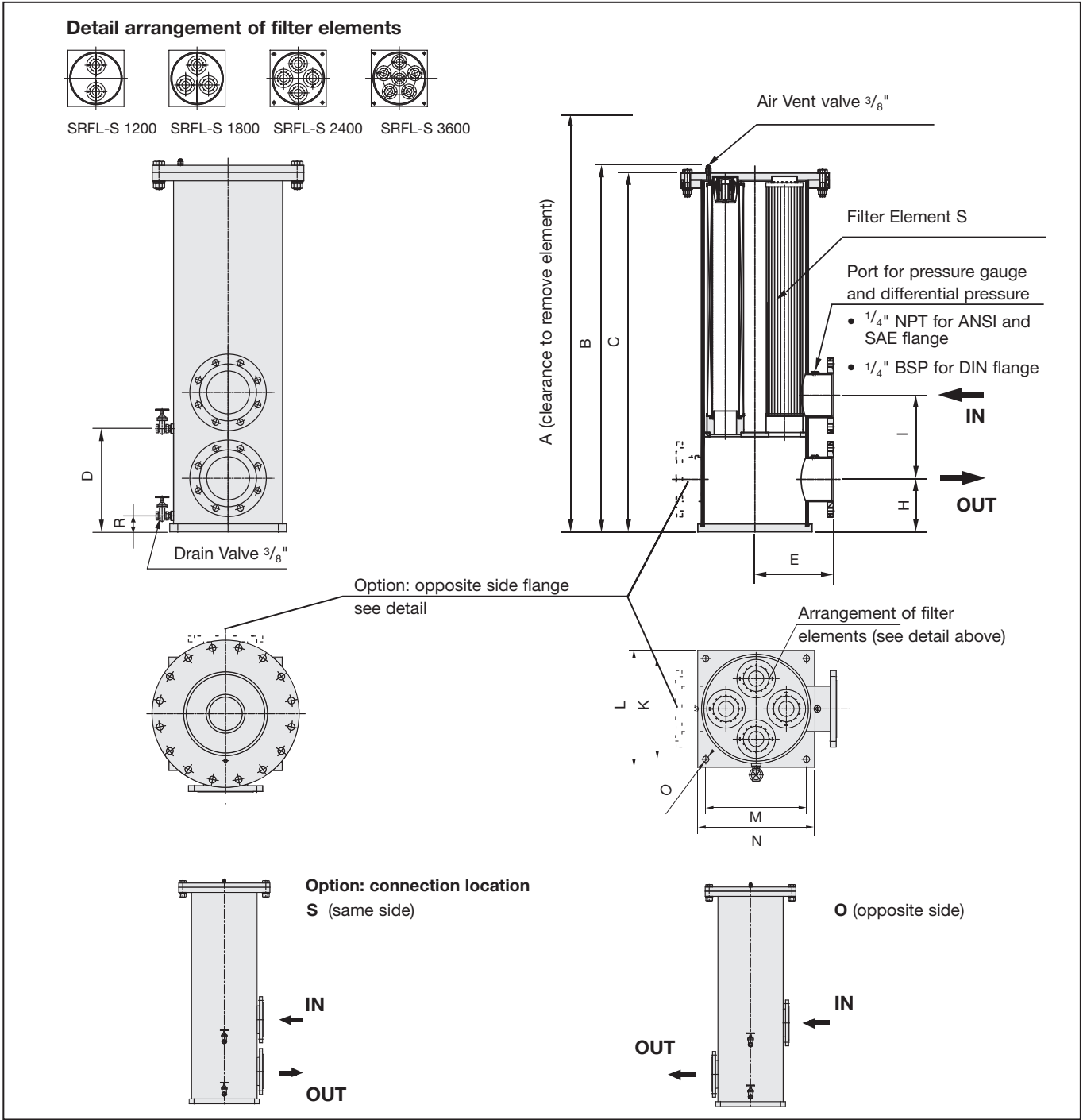
## Dimensions SRFL-S 160 / 200 / 300 / 600



Dimensions in mm (inch)

Filter Size	Flange Connection			Dimensions													Total Oil Capacity		Weight (without element)		Filter Elements	
	DIN	ANSI	SAE	A	B	C	D	E	H	I	K	L	M	N	O	l	gal	kg	lbs	Designation	Qty	
SRFL-S-160	DN40	1-1/2"	1-1/2"	885,8 (34.87)	607,6 (23.92)	584 (22.99)	214 (8.43)	148 (5.83)	130 (5.12)	155 (6.1)	150 (5.91)	125 (4.92)	125 (4.92)	150 (5.91)	11 (0.43)	6,0	1.59	14,5	32	RE-160...	1 x 1	
SRFL-S-200	DN50	2"	2"	1045,8 (41.17)	688,7 (27.12)	664 (26.14)	214 (8.43)	148 (5.83)	140 (5.51)	190 (7.48)	150 (5.91)	125 (4.92)	125 (4.92)	150 (5.91)	11 (0.43)	7,1	1.86	15,9	35	RE-200...	1 x 1	
SRFL-S-300	DN65	2-1/2"	2-1/2"	1248,7 (49.16)	828,6 (32.63)	803,9 (31.65)	285 (11.22)	198 (7.8)	150 (5.91)	190 (7.48)	240 (9.45)	200 (7.87)	200 (7.87)	240 (9.45)	18 (0.71)	22,2	5.87	29	64	RE-300...	1 x 1	
SRFL-S-600	DN80	3"	3"	2126,7 (83.17)	1267,6 (49.91)	1242,9 (48.93)	285 (11.22)	198 (7.8)	160 (6.3)	220 (8.66)	240 (9.45)	200 (7.87)	200 (7.87)	240 (9.45)	18 (0.71)	37,1	9.80	34,5	76	RE-600...	1 x 1	

## Dimensions SRFL-S 1200 / 1800 / 2400 / 3600



Dimensions in mm (inch)

Filter Size	Flange Connection			Dimensions													Total Oil Capacity	Weight (without element)		Filter Elements		
	DIN	ANSI	SAE	A	B	C	D	E	H	I	K	L	M	N	O	R		gal	kg	lbs	Designation	Qty
SRFL-S-1200	DN100	4"	4"	2176,7 (85.7)	1319,6 (51.96)	1294,9 (50.98)	275 (10.83)	273 (10.75)	190 (7.48)	250 (9.84)	385 (15.16)	325 (12.8)	325 (12.8)	385 (15.16)	23 (0.91)	60 (2.36)	103	27.2	86,2	190	RE-600...	1 x 2
SRFL-S-1800	DN125	5"	5"	2176,7 (85.7)	1323,6 (52.11)	1294,9 (50.98)	275 (10.83)	273 (10.75)	190 (7.48)	280 (11.02)	385 (15.16)	325 (12.8)	325 (12.8)	385 (15.16)	23 (0.91)	60 (2.36)	103	27.2	90,7	200	RE-600...	1 x 3
SRFL-S-2400	DN150	6"	6"	2249,1 (88.55)	1394,8 (54.92)	1366,1 (53.78)	325 (12.8)	298 (11.73)	200 (7.87)	320 (12.6)	435 (17.13)	375 (14.76)	375 (14.76)	435 (17.13)	23 (0.91)	60 (2.36)	149	39.3	105,2	232	RE-600...	1 x 4
SRFL-S-3600	DN200	8"	8"	2249,1 (88.55)	1392,8 (54.84)	1368,1 (53.68)	325 (12.8)	398 (15.67)	252 (9.92)	425 (16.73)	540 (21.26)	480 (18.9)	480 (18.9)	540 (21.26)	23 (0.91)	60 (2.36)	232	61.3	154,2	340	RE-600...	1 x 6