

## Technical Data

The Stauff Smart Cart incorporates a laser particle monitor system to the standard SPFC filter cart. With this system the user can set the required ISO codes on the LPM to indicate when the SPFC has filtered the system to the specified cleanliness level. The system will indicate this to the user with an indicator light.

## Technical Specifications and Options

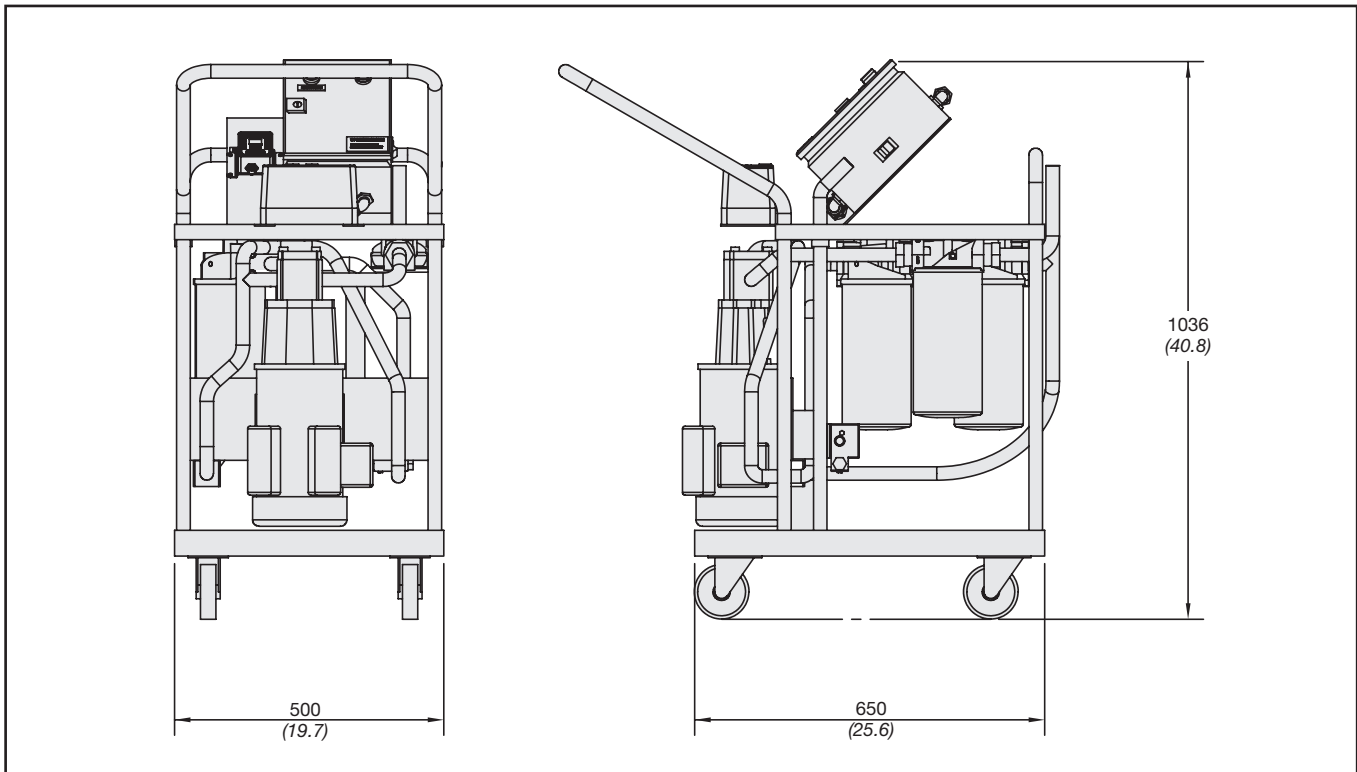
- LIM\* controlled with indicator light
- Laser Particle Monitor (LPM)\* continuously monitors contamination level
- Touch screen controlled with programmable automatic shutdown
- All other options included with the standard SPFC unit.

\* See Diagtronics section of catalog for LPM and LIM details



## Dimensions SPFC....SC Smart Cart

FILTRATION



Dimensions in mm (inch)

## Technical Data

The Smart Cart SCL can be programmed with desired ISO code cleanliness for up to 4 separate channels (4µm, 6µm, 8µm, and 21µm). When the oil reaches the programmed ISO code on any channel it will ALARM. When the smart cart alarms it will trigger the GREEN light letting the operator know the current reservoir is complete and they can move on to the next piece of equipment.

The Smart Cart SCP offers more versatility. It has an LCD touch screen that displays a graph showing the trending history of the ISO codes as well as data logging capabilities. It can be programmed for low (clean) and high (dirty) ISO code alarms. The unit can also display the status of the LPM giving information such as sample time, Laser Temp, and alarm status.



SPFC...SCL LIM Controlled

## SPFC...SCP Touch Screen Interface Modules



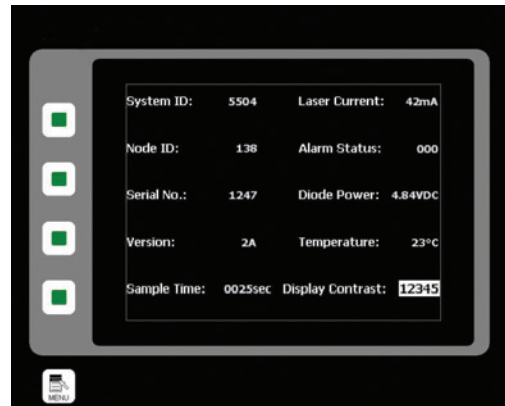
Home Screen



Alarm Set-up



History Graph



System Status