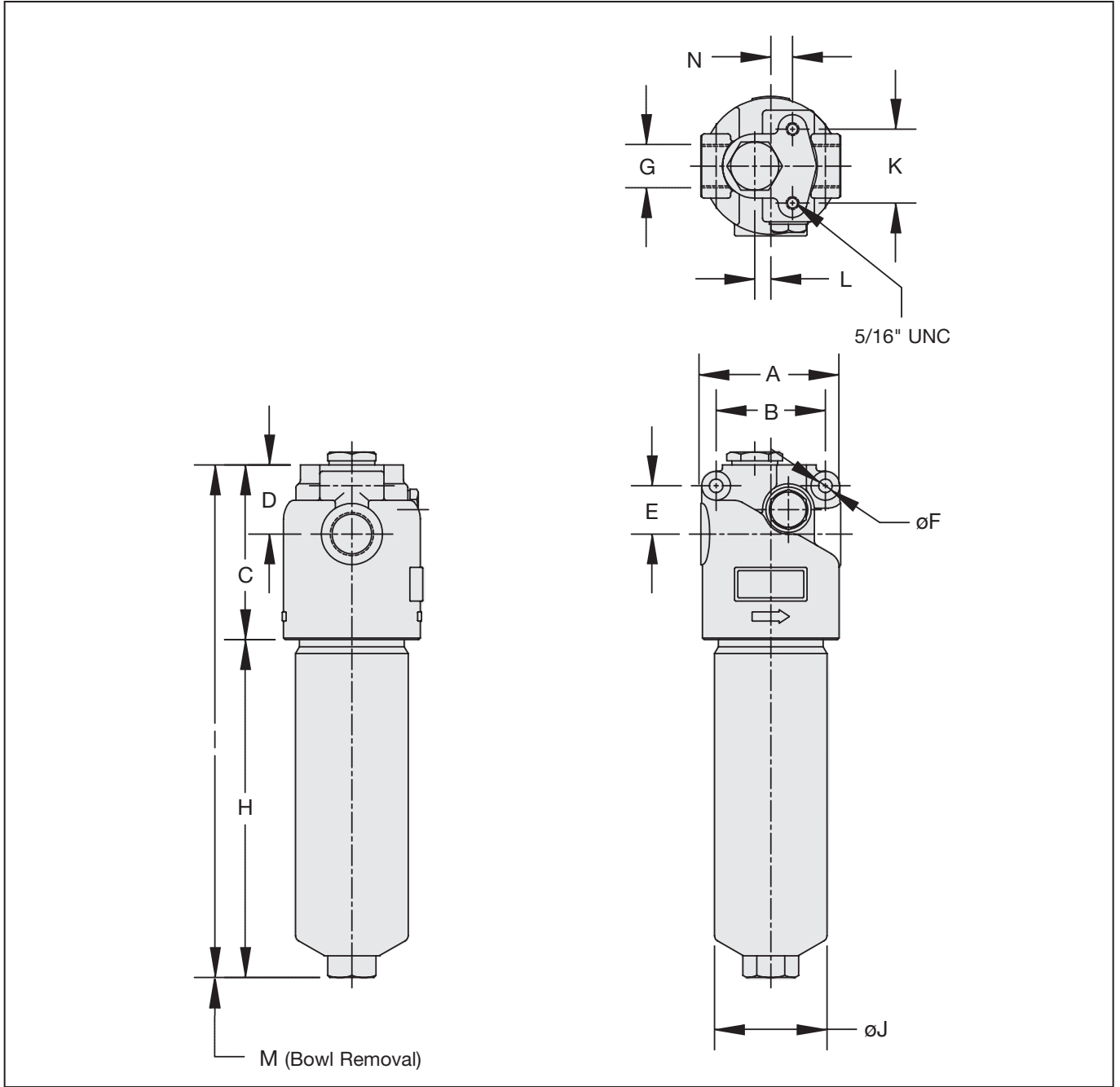


## Dimensions



Dimensions in mm (inch)

Filter Size	Nominal Flow	A	B	C	D	E	øF	H	I	øJ	K	L	M	N	G SAE	Weight
<b>SPF2010</b>	40 LPM (10 GPM)	87 (3.43)	68 (2.68)	109 (4.29)	43 (1.69)	30 (1.18)	8.5 (0.33)	110 (4.29)	219 (8.62)	70 (2.76)	46 (1.81)	10 (0.39)	100 (3.94)	13.5 (0.53)	1-1/16"-12 UN	3.2 kg (7.11 lb)
<b>SPF2020</b>	80 LPM (20 GPM)	87 (3.43)	68 (2.68)	109 (4.29)	43 (1.69)	30 (1.18)	8.5 (0.33)	210 (8.27)	319 (12.56)	70 (2.76)	46 (1.81)	10 (0.39)	100 (3.94)	13.5 (0.53)	1-1/16"-12 UN	4.7 kg (10.44 lb)