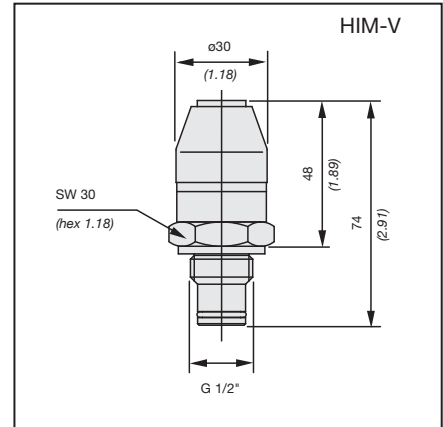


1. Visual clogging indicator

Part number HIM-V is a clogging indicator actuated by the differential pressure across the filter element. The actuating pressure of 5 bar (72 PSI) allows the dirty element to be changed before the by-pass setting of 6 bar (87 PSI) is reached.

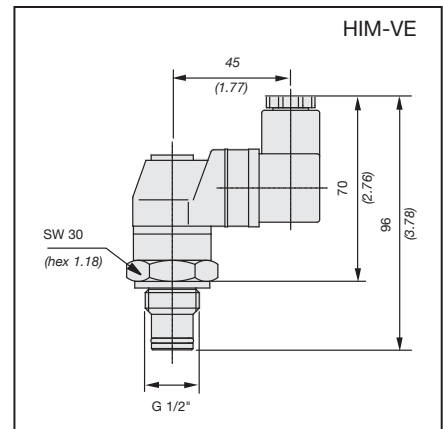
Dimensions in mm (inch)



2. Visual-Electrical clogging indicator

Part number HIM-VE is used when an electrical signal is needed to indicate when the element needs changing. It is actuated by the differential pressure across the filter element. The actuating pressure of 5 bar (72 PSI) allows the dirty element to be changed before the by-pass setting of 6 bar (87 PSI) is reached.

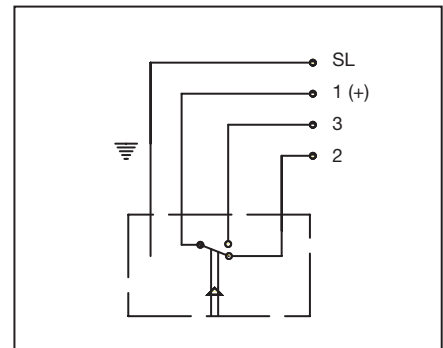
Dimensions in mm (inch)



HIM-VE Rated capacity

Voltage V	Resistive Load Amps	Inductive Load Amps
125 VAC	5	5
250 VAC	5	5
15 VAC	10	10
30 VDC	5	5
50 VDC	1	1
125 VDC	0.5	0.06

HIM-VE Wiring diagram



Ordering Code

