

## Technical Data

STAUFF SIF48 series pressure filters are designed for in-line hydraulic applications with a maximum operating pressure of 345 bar (5000 PSI). The element is changed from the top, which minimizes oil spillage. **The SIF48 series pressure filter meets the HF4 Automotive Standard.**



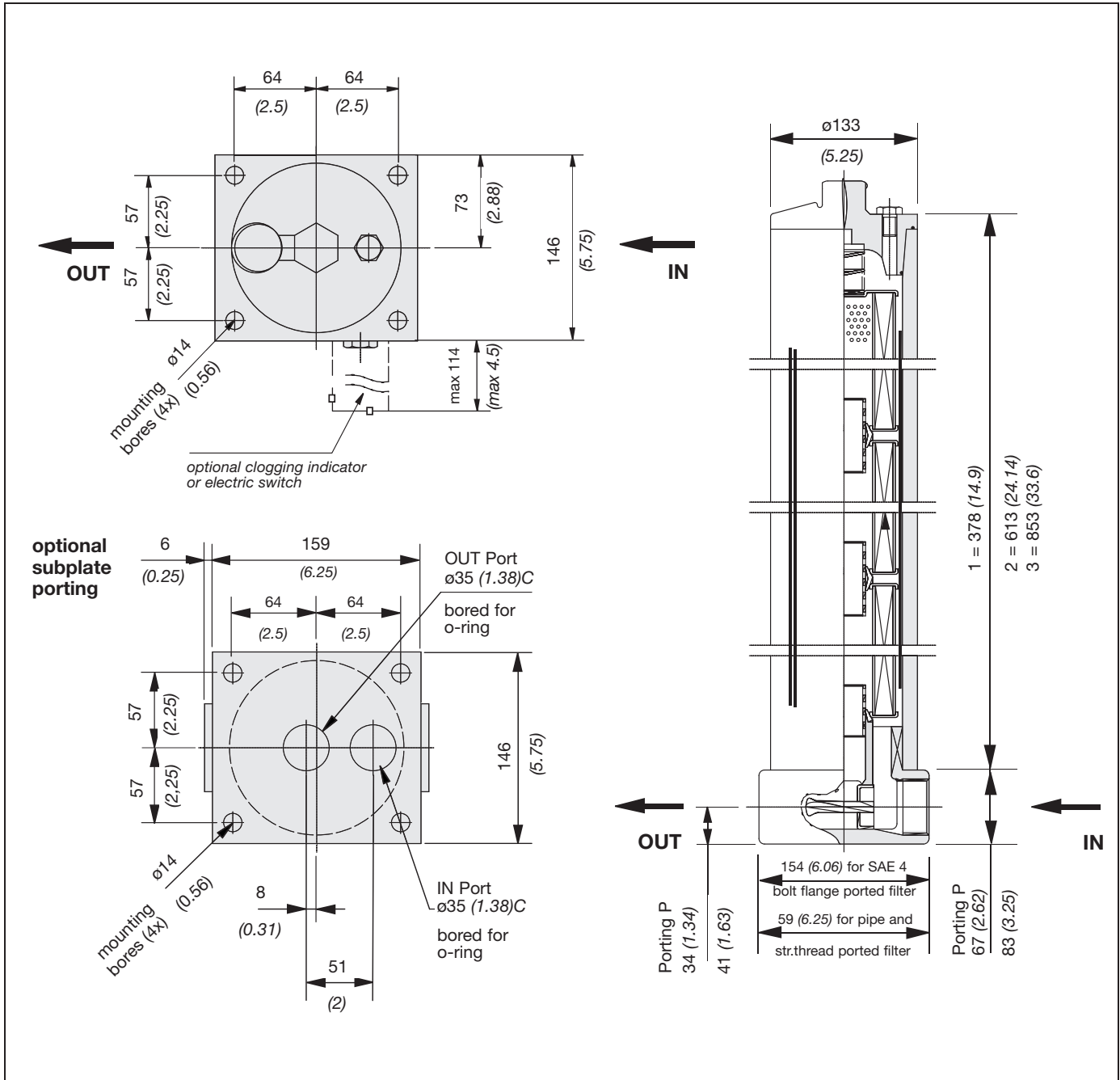
## Technical Specification

Construction	In-line assembly, top loading, base mounted
Filter base and cap	Ductile iron
Element case	Steel
Seals	O-Rings NBR (Buna-N®), FPM (Viton®)
Port connections	BSP, NPT, SAE "O"-Ring thread, SAE Code 61 flange or sub-plate
Flow rating	up to 380 l/min (100 US GPM) for 32 cSt (150 SUS) fluids, with 2" porting, 570 l/min (150 US GPM)
Operating pressure	max 345 bar (5 000 PSI)
Burst pressure	min 1035 bar (15 000 PSI)

Temperature range	-29°C to +107°C (-20°F to +225°F)
By-pass valve	Allows unfiltered oil to by-pass the contaminated element once the opening pressure has been reached
By-pass setting	2.8 bar (40 PSI)
Clogging indicators	standard actuating pressure 2.8 bar (40 PSI) indicator types: visual, electrical (AC and DC voltage versions)
Filter elements	Flow characteristics see page F17
Media	Mineral oils, other fluids on request

## Dimensions

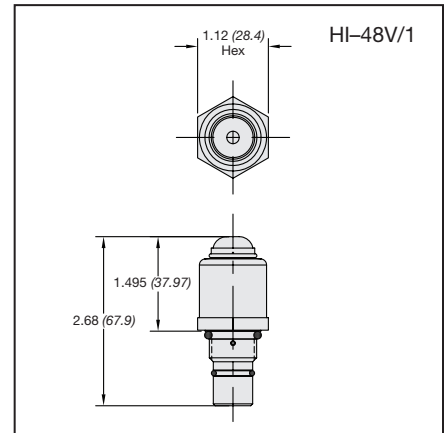
Dimensions in mm (inch)



FILTRATION

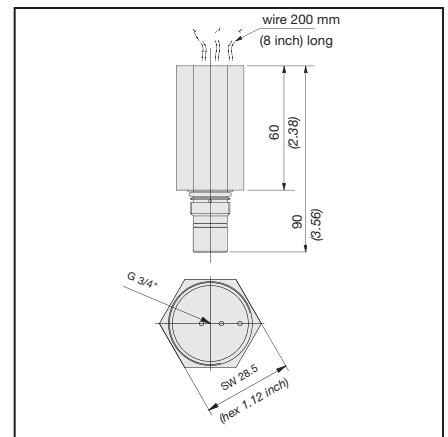
## 1. Visual clogging indicator

Part number HI48-V is a mechanical magnetic cartridge with a highly visible red disk that pops up at 2.8 bar (40 PSI). Once activated the red signal continues to indicate a by-pass condition until it is manually reset.



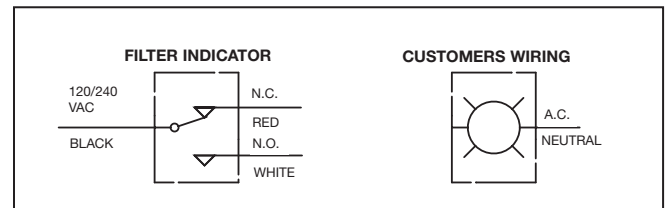
## 2. Electrical clogging indicator

Part number HI48-EAC and HI48-EDC are used when a electrical signal is needed to indicate when the element needs changing. The solid state switch is activated at 2.8 bar (40 PSI). The indicators are supplied with a 200 mm (8 in) long wire leads and are NEMA 4 rated.



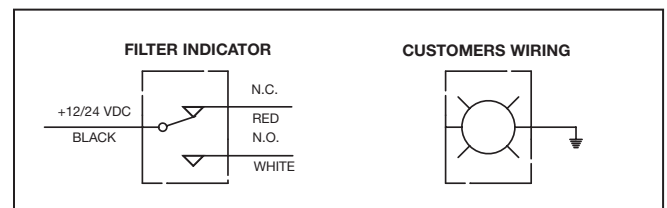
### 2.1 HI48-EAC Ratings

Voltage	max 240 VAC
Wattage	max 720 Watts
Current	0.10 to 6 amps
Contact type	solid state



### 2.2 HI48-VDC Ratings

Voltage	max 100 VDC
Wattage	max 50 Watts
Current	0.01 to 2 amps
Contact type	solid state



## Ordering Code

**HI 48 E AC /X**

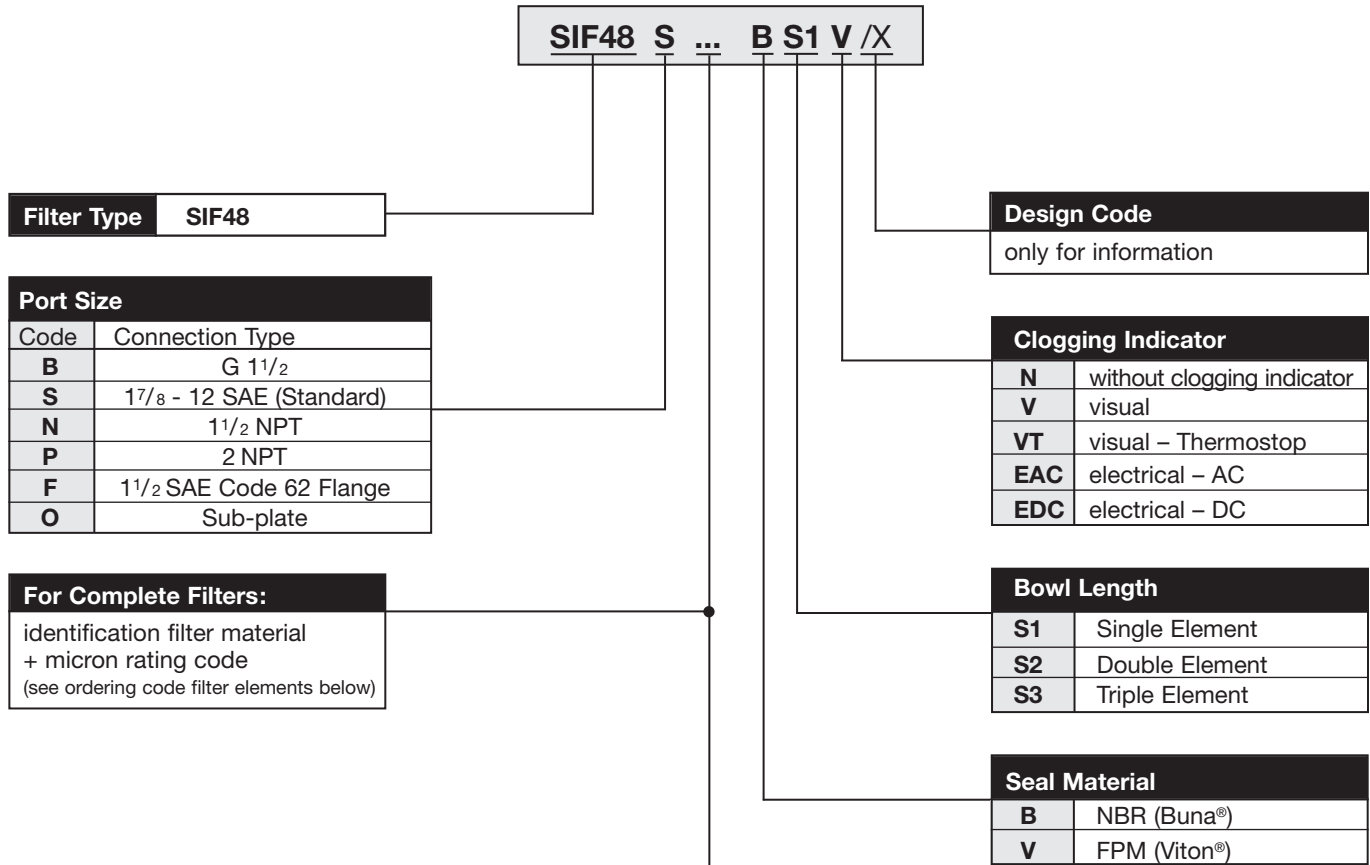
<b>Clogging Indicator</b>	
<b>Series</b>	<b>SIF48</b>
<b>Code</b>	<b>Execution</b>
<b>V</b>	visual
<b>E</b>	electrical
<b>VT</b>	visual - Thermostop

<b>Design Code</b>	only for information
--------------------	----------------------

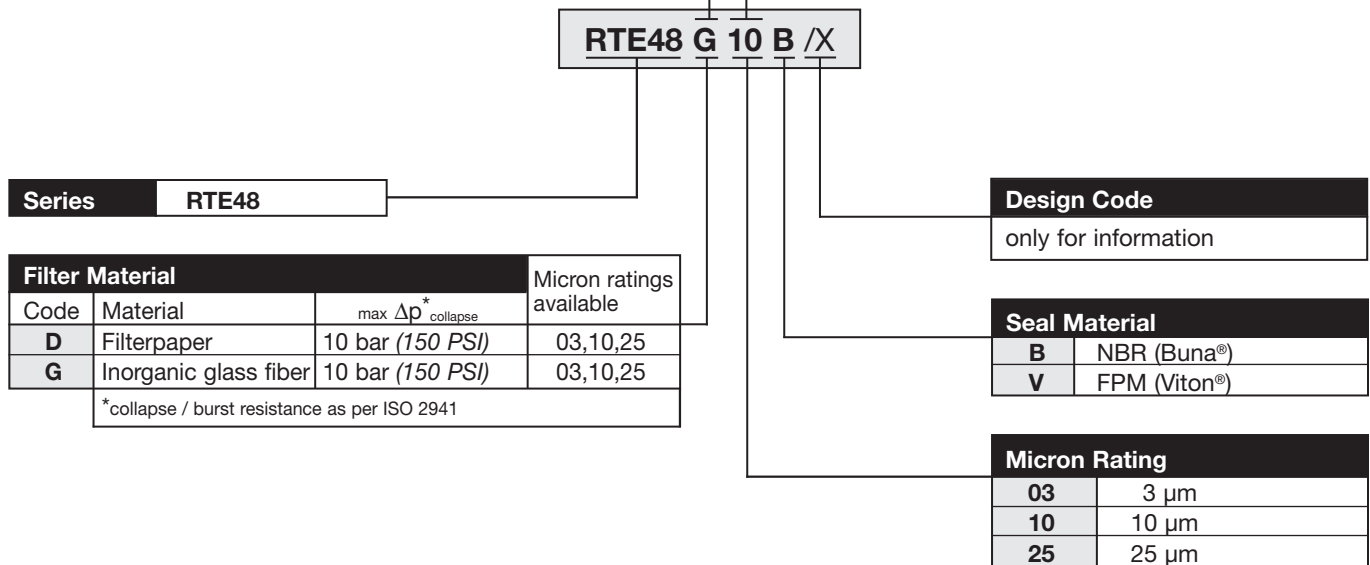
<b>Voltage (only for Code E)</b>	
<b>AC</b>	max 240 VAC
<b>DC</b>	max 100 VDC

Dimensions in mm (inch)

## Ordering Code Filter Housings



## Ordering Code Filter Elements



## Flow Characteristics

The following characteristics are valid for mineral based fluids with a density of 0,85 kg/dm<sup>3</sup> and the kinematic viscosity of 30 mm<sup>2</sup>/s. The characteristics have been determined in accordance to ISO 3968. Multipass filter ratings have been obtained in accordance to ISO 16889. Consult factory for details.

