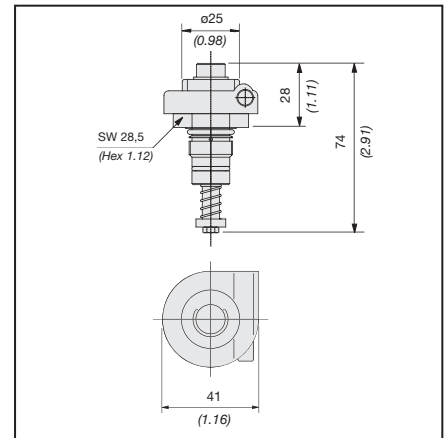


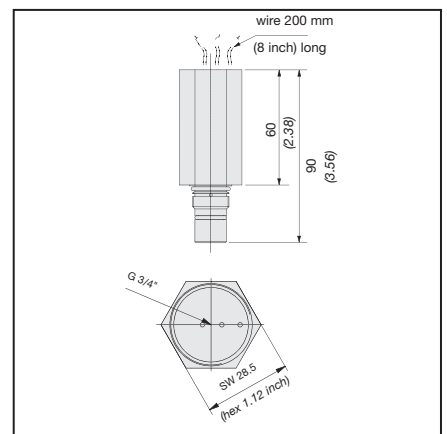
1. Visual clogging indicator

Part number HI48-V is a mechanical magnetic cartridge with a highly visible orange disk that pops up at 2.8 bar (40 PSI). Once activated the orange signal continues to indicate a by-pass condition until it is manually reset.



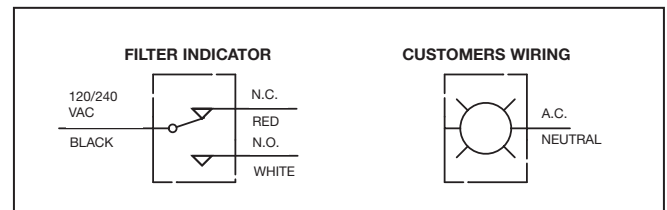
2. Electrical clogging indicator

Part number HI48-EAC and HI48-EDC are used when a electrical signal is needed to indicate when the element needs changing. The solid state switch is activated at 2.8 bar (40 PSI). The indicators are supplied with a 200 mm (8 in) long wire leads and are NEMA 4 rated.



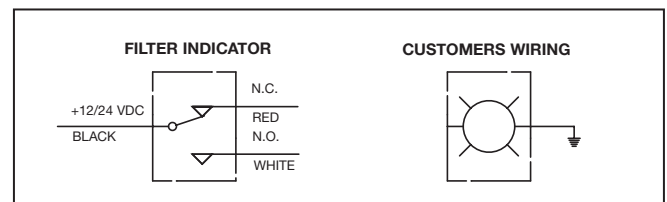
2.1 HI48-EAC Ratings

Voltage	max 240 VAC
Wattage	max 720 Watts
Current	0.10 to 6 amps
Contact type	solid state



2.2 HI48-VDC Ratings

Voltage	max 100 VDC
Wattage	max 50 Watts
Current	0.01 to 2 amps
Contact type	solid state



Ordering Code

