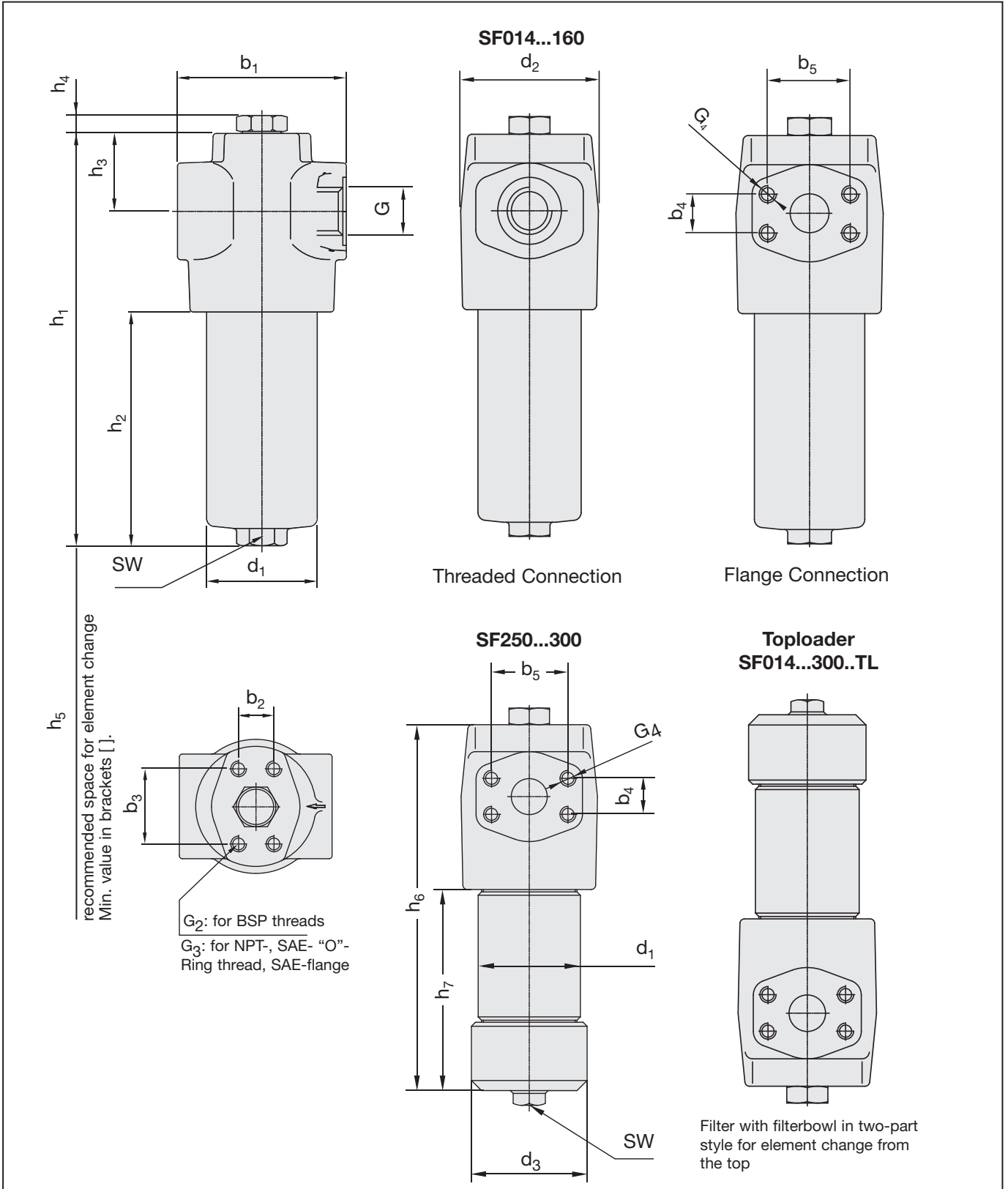


## Dimensions



Dimensions in mm (inch)

## Dimensions

Dimensions in mm (inch)

Filter Size	Thread Connection G				Weight including elements			
	BSP	NPT	SAE- "O"-Ring thread	SAE - flange	with bowl in one-part style		with bowl in two-part style	
					kg	lbs	kg	lbs
SF014	G 3/4	3/4"	1 1/16-12 UN	3/4"	5,3	11.7	5,9	13
SF030					6,2	13.7	6,9	15.2
SF045	G 1 1/4	1 3/4"	1 5/8-12 UN	1 1/4"	10,3	22.7	12,2	26.9
SF070					12	26.5	13,7	30.2
SF125					16,3	35.9	20	44.1
SF090	G 1 1/2	1 1/2"	1 7/8-12 UN	1 1/2"	27	59.9	32	70.5
SF160					35,5	78.3	39,3	86.5
SF250					-	-	49	108
SF300					-	-	57,3	126.3

Dimensions in mm (inch)

Filter Size	Dimensions															
						with Filter Bowl in one-part style Type SF					with filter bowl in two-part style Type SF...-TL					
	b <sub>1</sub>	d <sub>2</sub>	h <sub>3</sub>	h <sub>4</sub>	d <sub>1</sub>	h <sub>1</sub>	h <sub>2</sub>	h <sub>5</sub>	SW	d <sub>1</sub>	d <sub>3</sub>	h <sub>6</sub>	h <sub>7</sub>	h <sub>5</sub>	SW	
SF014	104 (4.1)	83 (3.27)	48 (1.89)	12,5 (0,49)	68 (2.68)	188 (7.4)	78 (3.07)	100 [85] (3.94 [3.35])	27 (1.06)	70 (2.76)	84 (3.31)	190 (7.48)	80 (3.15)	65 (2,6)	27 (1.06)	
SF030						254 (10)	144 (5.67)	170 [85] (6.69 [3.35])					256 (10.08)	146 (5.75)	130 (5.12)	
SF045						239 (9.41)	103 (4.06)	140 [120] (5.51 [4.72])	32 (1.26)	101,6 (4)	115 (4.53)		241 (9.49)	103 (4.06)	100 (3.94)	
SF070	140 (5.51)	116 (4.57)	49,5 (1.95)			95 (3.74)	298 (11.73)	161 (6.34)	200 [120] (7.87 [4.72])				300 (11.81)	163 (6.42)	160 (6.3)	32 (1.26)
SF125						483 (19.11)	343 (13.5)	380 [120] (14.96 [4.72])				485 (19.1)	344 (13.54)	340 (13.39)		
SF090						323 (12.72)	148 (5.83)	190 [150] (7.48 [5.91])				329,5 (12.97)	154,5 (6.08)	120 (4.72)		
SF160	178 (7.01)	159 (6.26)	72 (2.84)		130 (5.12)	494 (19.45)	319 (12.56)	360 [150] (14.17 [5.91])	36 (1.42)	133 (5.24)	155 (6.1)	500,5 (19.71)	325,5 (12.82)	290 (11.42)	36 (1.42)	
SF250						not available						656,5 (25.85)	481,5 (18.96)	425 (16.73)		
SF300						not available						821,5 (32.34)	646,5 (25.45)	590 (23.23)		

Dimensions in mm (inch)

Filter Size	Dimensions Mounting Flange										
	T (Standard)				TH (Optional)				Dimensions SAE-Flange 6000 PSI		
	b <sub>2</sub>	b <sub>3</sub>	G <sub>2</sub>	G <sub>3</sub>	b <sub>2</sub>	b <sub>3</sub>	G <sub>2</sub>	G <sub>3</sub>	b <sub>4</sub>	b <sub>5</sub>	G <sub>4</sub>
SF014	23,8 (0.94)	50,8 (2)	M10x15	3/8 -16 UNC x 0.59	32 (1.26)	56 (2.21)	M6x9	1/4 - 28 UNF x 0.35	23,8 (0.94)	50,8 (2)	3/8 -16 UNC
SF030											
SF045	31,6 (1.24)	66,7 (2.63)	M14x20	1/2 -13 UNC x 0.79	35 (1.38)	85 (3.35)	M10x15	3/8 - 24 UNF x 0.59	31,6 (1.24)	66,7 (2.63)	1/2 -13 UNC
SF070											
SF125											
SF090	36,7 (1.45)	79,4 (3.13)	M16x20	5/8 -11 UNC x 0.79	60 (2.36)	115 (4.53)	M12x20	1/2 - 20 UNF x 0.79	36,7 (1.45)	79,4 (3.13)	5/8 -11 UNC
SF160											
SF250											
SF300											