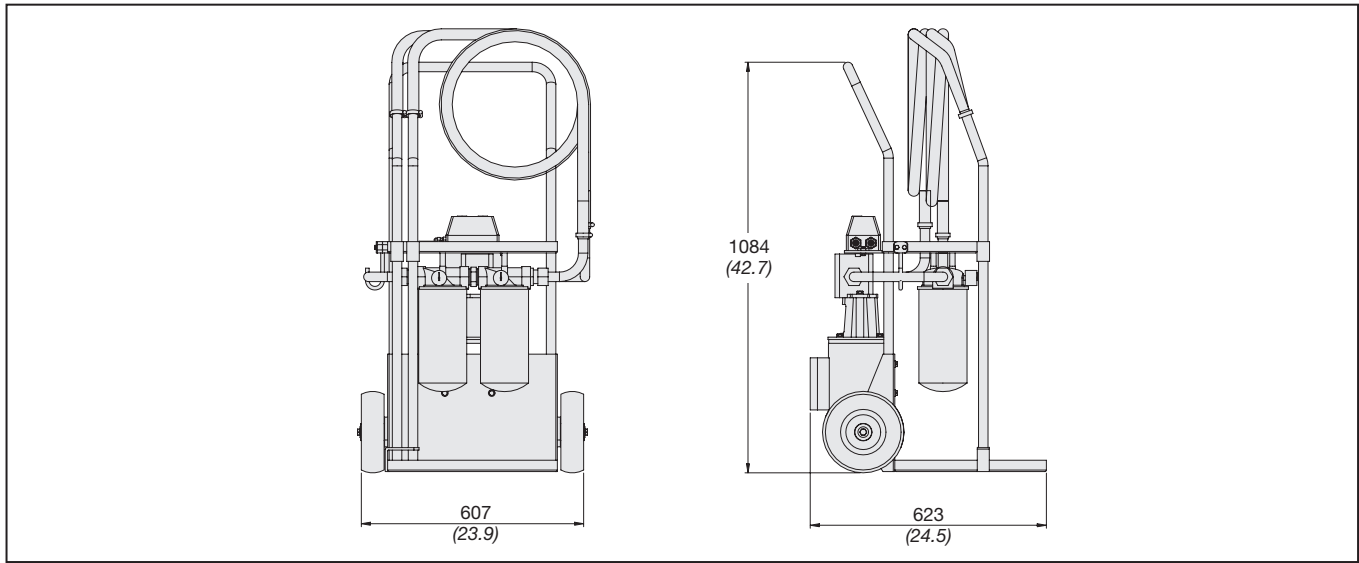


### Dimensions



Dimensions in mm (inch)

### Ordering Code

**SCFC2 - 10 - G - D - 6726 - 6707 - B - V - C - XX**

**FILTRATION**

**SCFC2 STAUFF**  
Compact Filter Cart

Flow	
10	38 l/min (10 US GPM)
5	19 l/min (05 US GPM)

Pump Type	
G*	Gear Pump
V	Vane Pump

Filter Head	
D*	Double Head (Parallel)
S	Single Head
2S*	2 x Single Heads (Series)

Stage 1 Filter Element	
0000	Without Filter Element
6704	Synthetic 3 µm β200
6707	Synthetic 6 µm β200
6731	Synthetic 12 µm β200
6726	Synthetic 25 µm β200
6721	Paper 10 µm
6711	Paper 25 µm
6721-W	Water absorbing 10 µm
6791	Stainless steel wire mesh 125 µm

**Special Configurations**

Electric Motor Voltage	
A	220 VAC@60Hz - Three Phase
B	110 VAC@50Hz - Single Phase
C*	110 VAC@60Hz - Single Phase
D	230 VAC@50Hz - Single Phase
E	230 VAC@60Hz - Single Phase
F	400 VAC@50Hz - Three Phase
G	400 VAC@60Hz - Three Phase
H	440 VAC@50Hz - Three Phase
I	440 VAC@60Hz - Three Phase
X	Special Voltages on request

Contamination Indicator	
O	without indicator
V*	visual indicator

Seal Material	
B*	NBR (Buna®)
V	FPM (Viton®)
E	EPDM

Stage 2 Filter Element	
Omit	With D or S Filter Head Option
0000	Without Filter Element
6704	Synthetic 3 µm β200
6707	Synthetic 6 µm β200
6731	Synthetic 12 µm β200
6726	Synthetic 25 µm β200
6721	Paper 10 µm
6711	Paper 25 µm
6721-W	Water absorbing 10 µm
6791	Stainless steel wire mesh 125 µm

\*Standard Stock Options