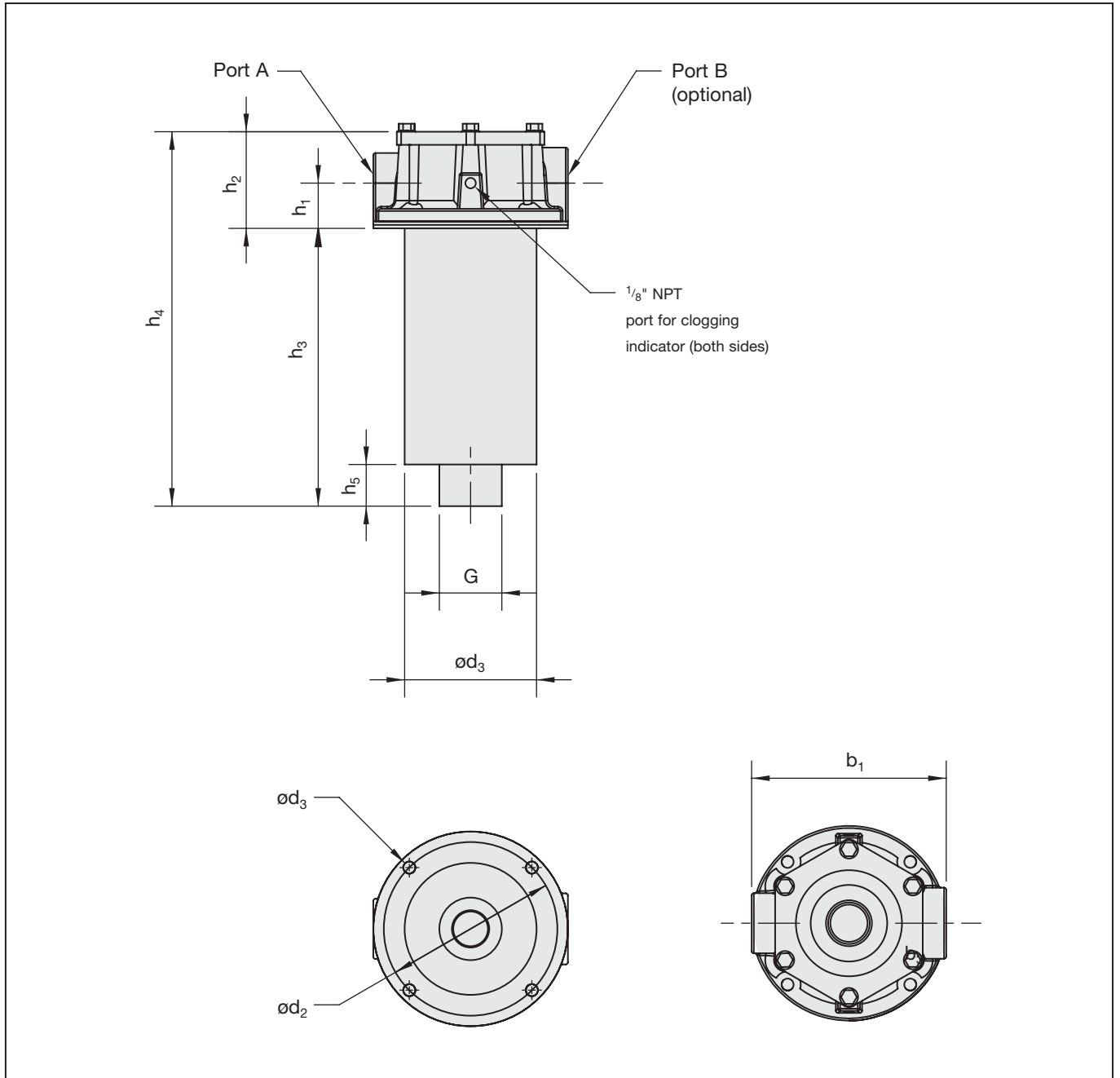


Dimensions



FILTRATION

Dimensions RTF50 Filters

Dimensions in mm (inch)

Bowl Length	Dimensions									
	h ₁	h ₂	h ₃	h ₄	h ₅	b ₁	d ₁	d ₂	d ₃	G
S1	49.3 (1.94)	95.5 (3.76)	246.5 (9.70)	342 (13.46)	29.5 (1.16)	177.8 (7.00)	124.8 (4.91)	158.75 (6.25)	11.2 (0.44)	1-1/2" NPT
S2	44.0 (1.73)	99.2 (3.55)	450.8 (17.75)	541 (21.30)	38.1 (1.5)					