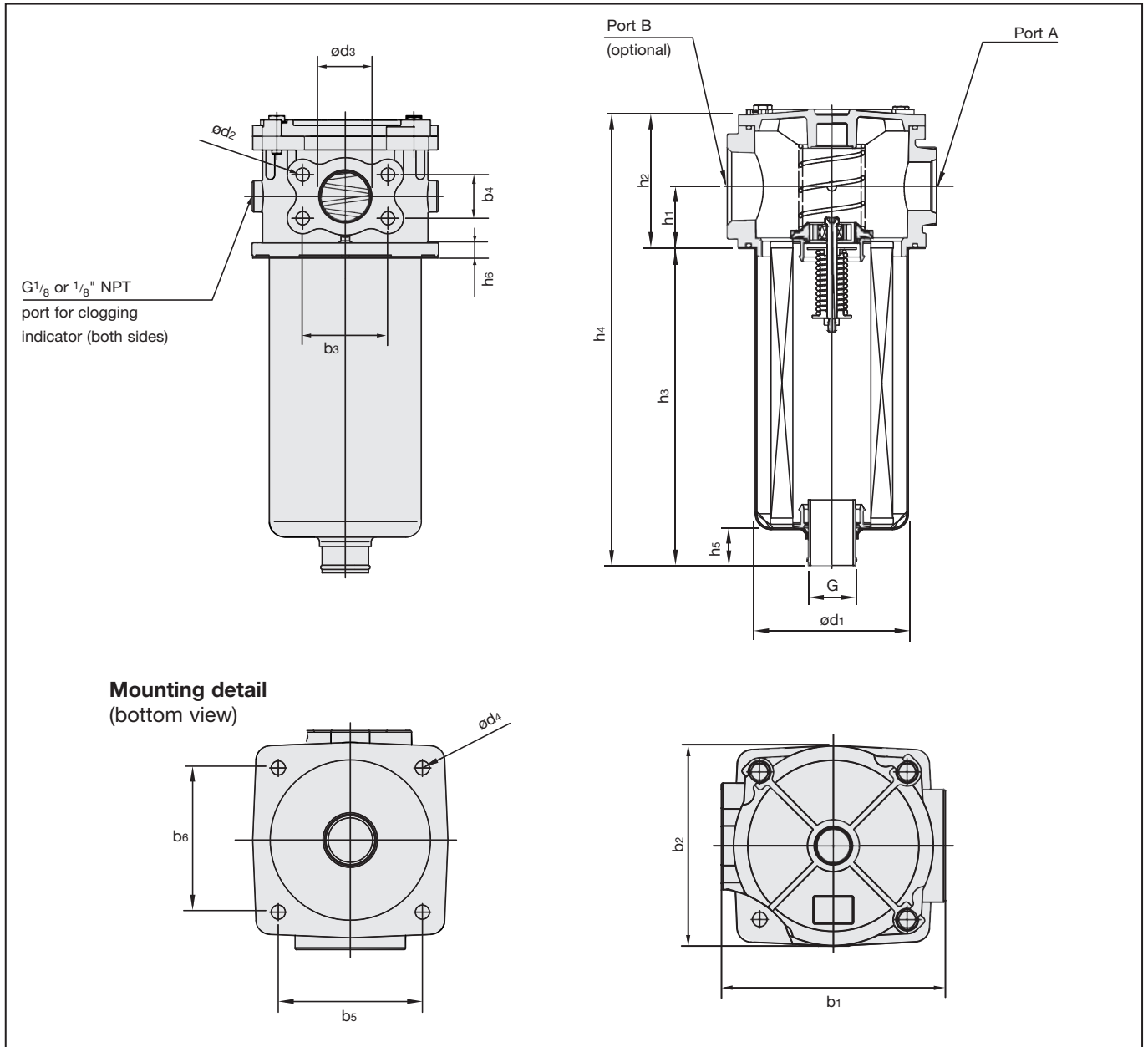


## Dimensions



FILTRATION

Dimensions in mm (inch)

## Dimensions RTF40 Filters

Bowl Length	$h_1$	$h_2$	$h_3$	$h_4$	$h_5$	$h_6$	$b_1$	$b_2$	$b_3$	$b_4$	$b_5$	$b_6$	$d_1$	$d_2$		$d_3$	$d_4$	G
														BSP	NPT & SAE			
S1	50 (1.97)	112 (4.41)	263 (10.35)	385 (15.16)	21 (0.83)	11 (0.43)	171 (6.73)	152 (5.98)	69,9 (2.75)	35,6 (1.40)	112 (4.41)	112 (4.41)	122 (4.80)	M12	1/2-13 UN 2B	38,1 (1.50)	11 (0.43)	G1-1/2" or 1-1/2 NPT
S2			475 (18.70)	587 (23.11)	38 (1.50)													