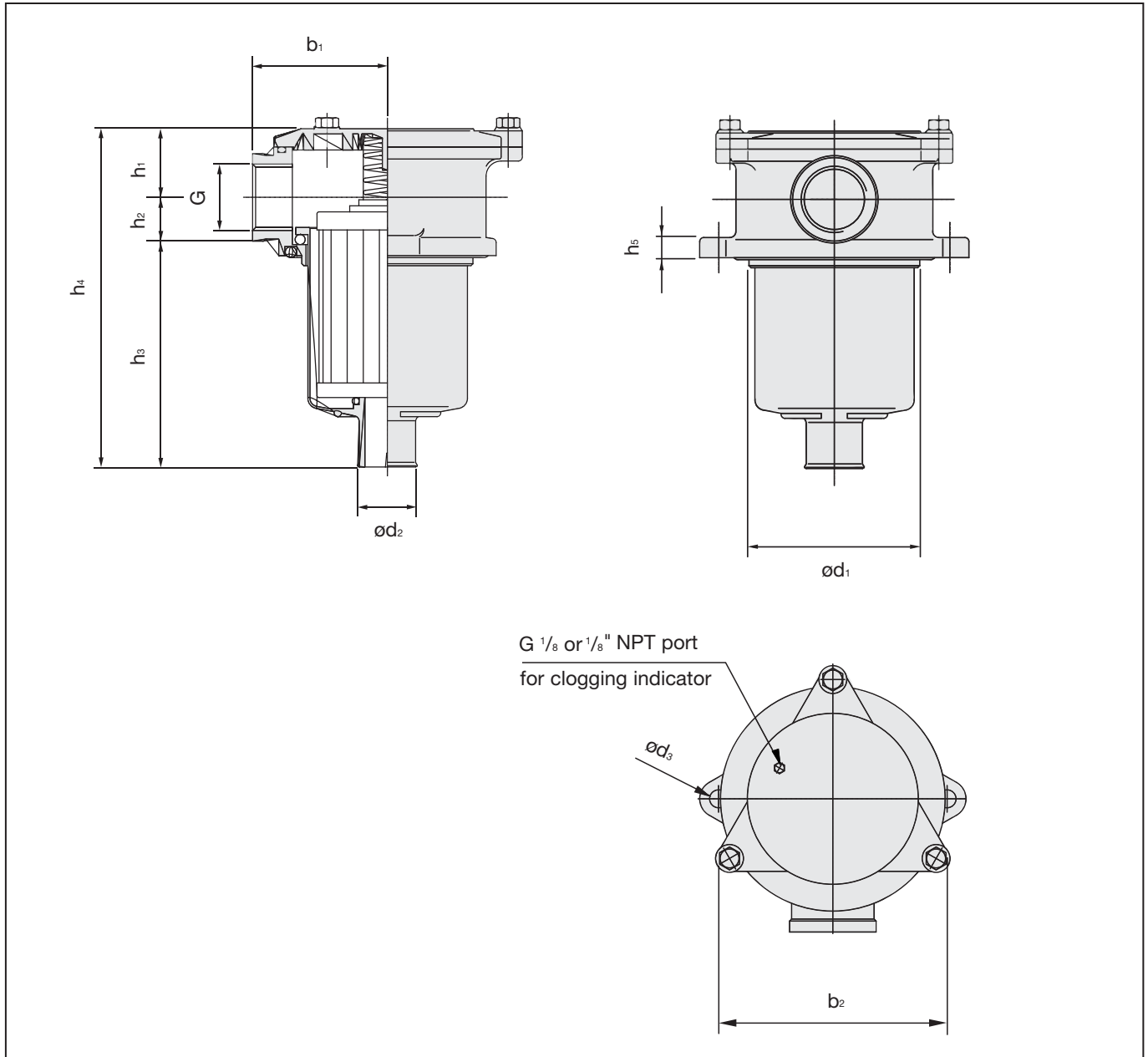


## Dimensions



## Dimensions RTF10/25 Filters

Dimensions in mm (inch)

Filter Size	Thread connection G				h <sub>1</sub>	h <sub>2</sub>	h <sub>3</sub>	h <sub>4</sub>	h <sub>5</sub>	b <sub>1</sub>	b <sub>2</sub>	d <sub>1</sub>	d <sub>2</sub>	d <sub>3</sub>	Weight	
	BSP	NPT	SAE- <sup>o</sup> Ring	Bowl length											k <sub>g</sub>	lbs
RTF10	G 1/2	1/2	N/A	S1	26 (1.02)	21 (0.83)	87 (3.43)	133 (5.24)	8 (0.32)	50 (1.97)	90 (3.54)	66 (2.60)	24 (0.94)	7 (0.28)	0,45	1
RTF25	G 1	1	1 5/16-12 UNF	S1	34 (1.34)	29 (1.14)	105 (4.13)	170 (6.69)	10 (0.39)	67 (2.64)	115 (4.65)	86 (3.39)	28 (1,10)	9 (0.35)	0,9	2
RTF25	G 1	1	1 5/16-12 UNF	S2	34 (1.34)	29 (1.14)	150 (5.91)	215 (8.46)	10 (0.39)	67 (2.64)	115 (4.65)	86 (3.39)	28 (1.10)	9 (0.35)	1	2.2