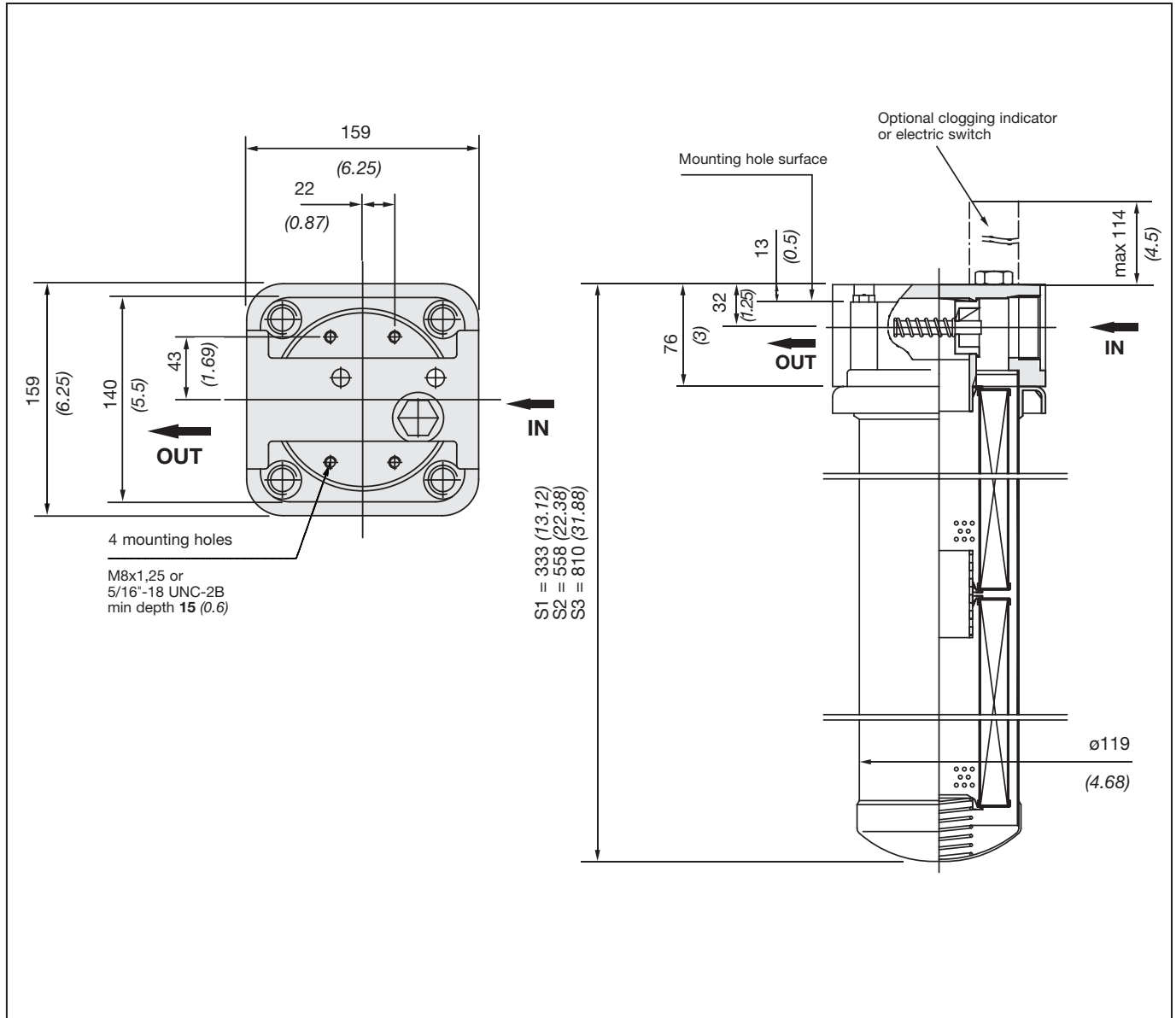


Dimensions



Dimensions in mm (inch)