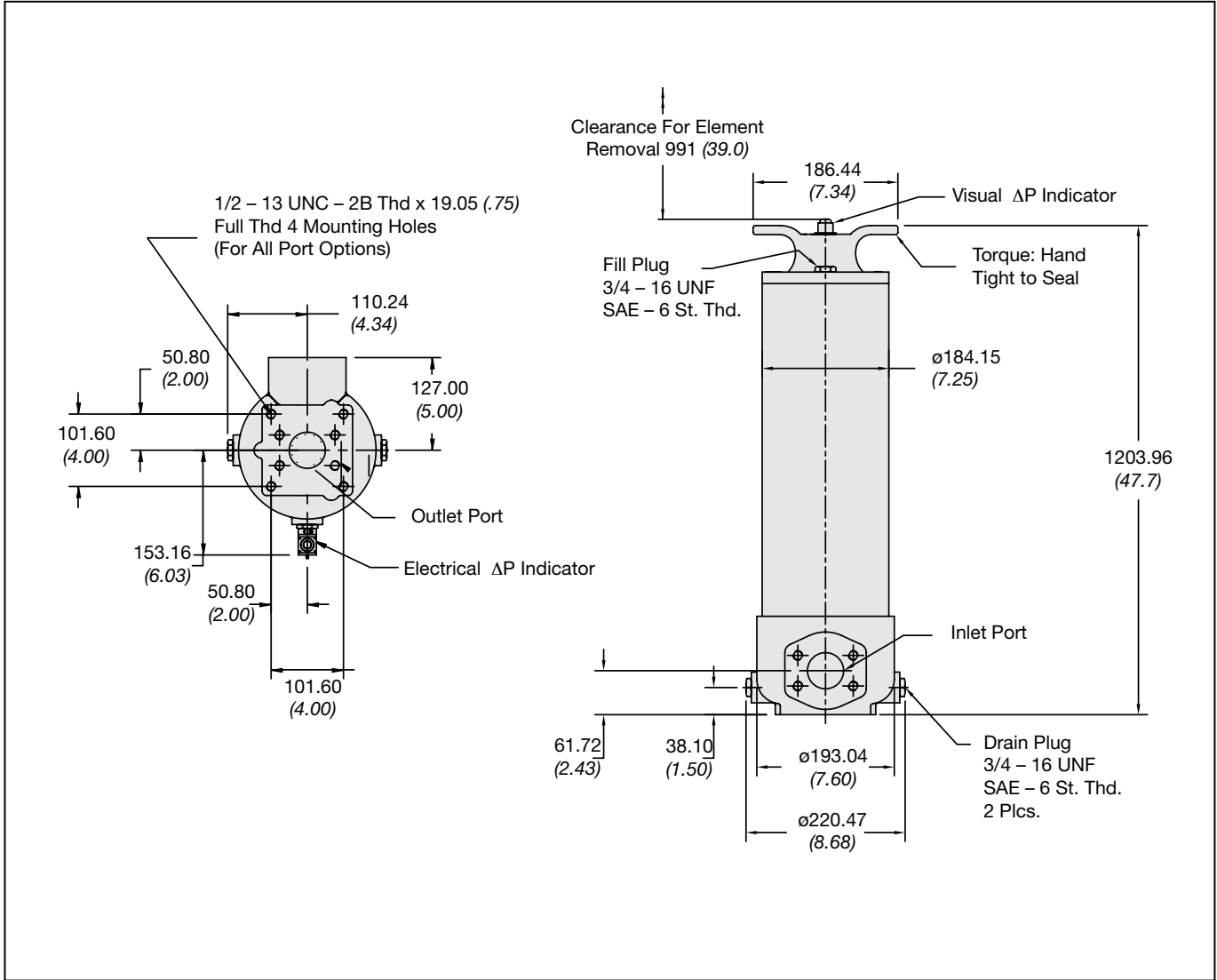


## Dimensions



Dimensions in mm (inch)