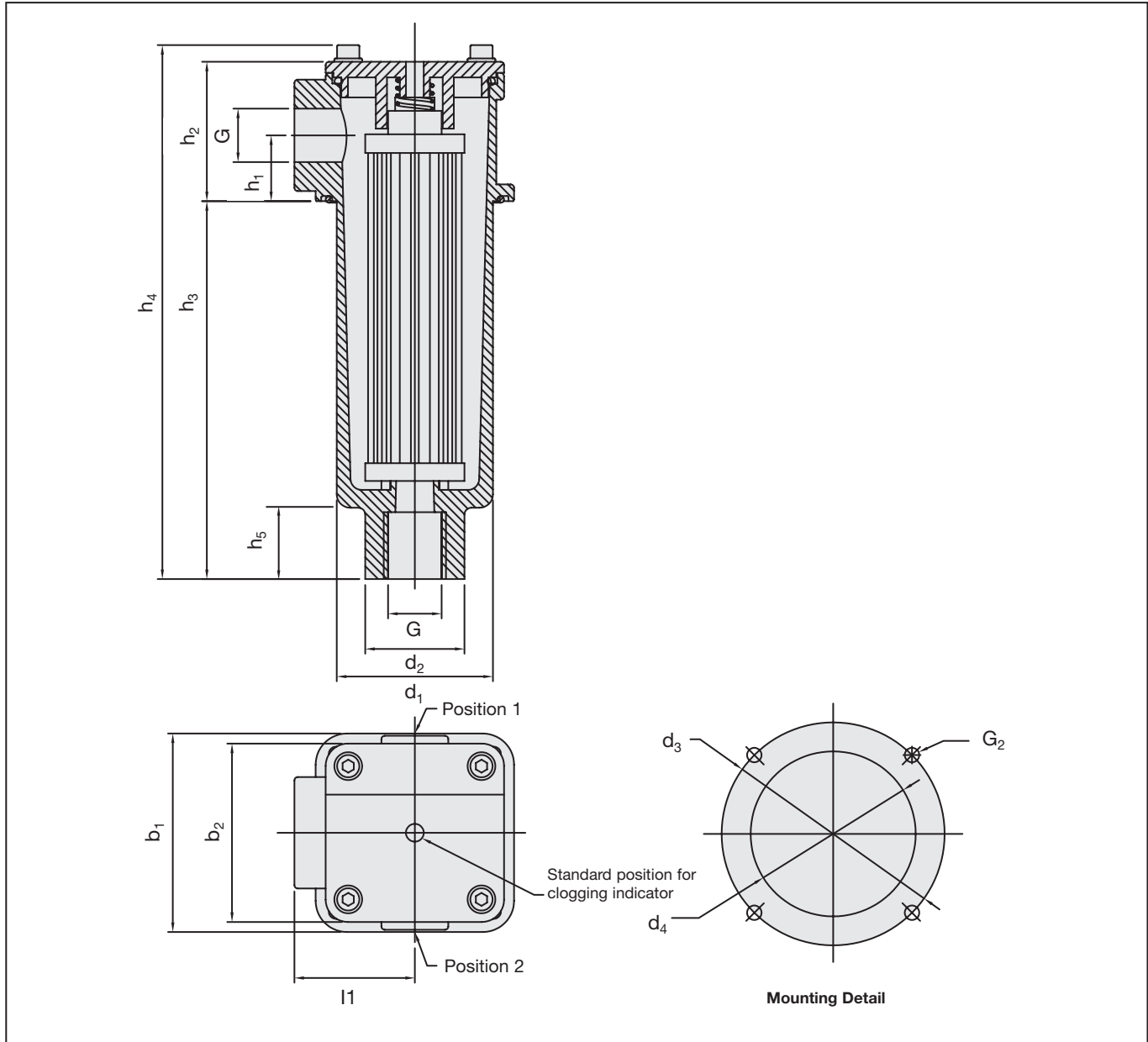


## Dimensions



FILTRATION

## Dimensions RFA030 Filters

Dimensions in mm (inch)

Filter Size	Thread Connection G	Dimensions												
	SAE-"O" Ring Thread	$h_1$	$h_2$	$h_3$	$h_4$	$h_5$	$b_1$	$b_2$	$d_1$	$d_2$	$d_3$	$d_4$	$l_1$	$G_2$
RFA 030	3/4-16-UN	25.5	62.5	169.5	239.5	32	89	80	70	44.5	100	74	54	M6 or 1/4" UNC
	1-1/16-UN	(1.16)	(2.46)	(6.67)	(9.43)	(1.26)	(3.50)	(3.15)	(2.76)	(1.75)	(3.94)	(2.91)	(2.16)	