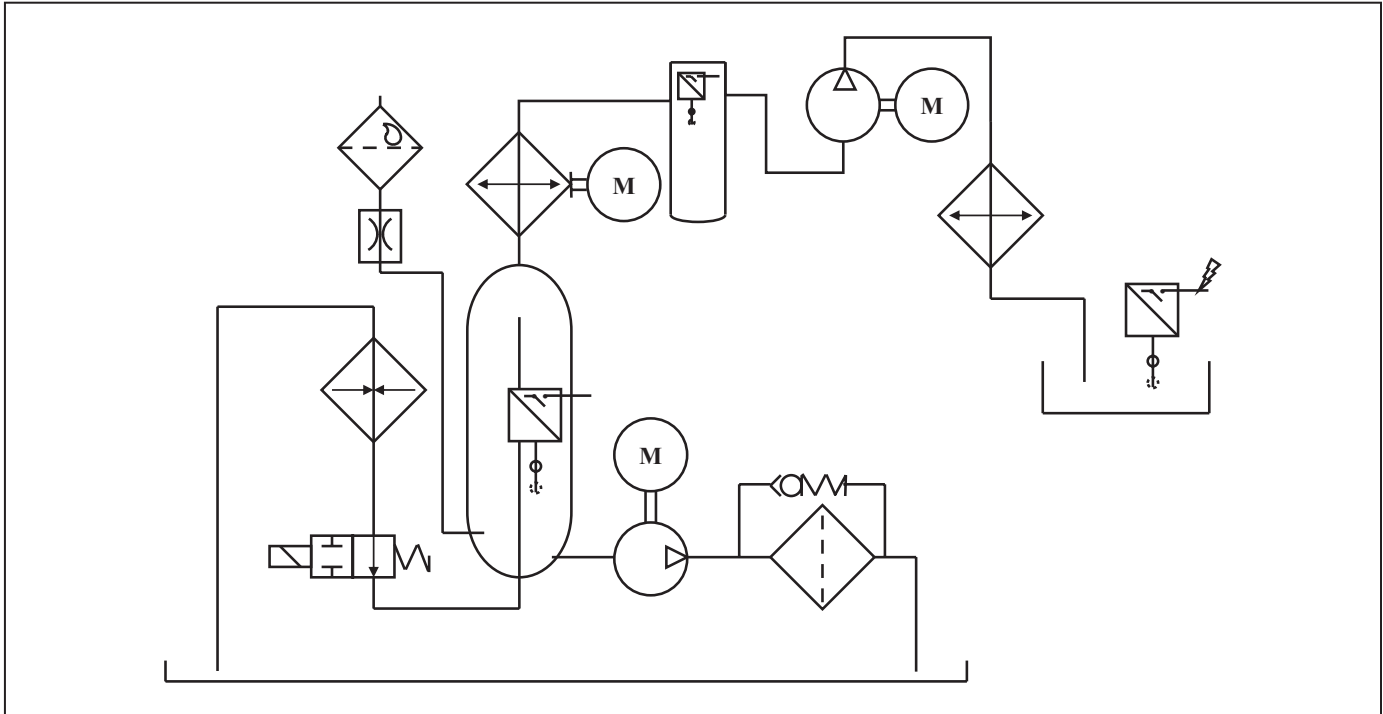


Schematic



Ordering Code

MWV - 1A - 30 - G1 - B - B - 60 - 0 - 0 - 0

FILTRATION

Basic Configuration		Options	
MWV	Mini Water Vac Oil Purifier (industrial applications)	0	None
Housing Configuration		Extra Functions	
Code	Single length	suitable for reservoir size	N° of elements
1A	Single Housing Single Length	3,000 l (705 gal)	1
Filter Element Length		Pump Options	
30	300 mm (standard)	60	1 cc / rev
Filter Material		E-Motor	
G01	Glass Fiber 1 micron $\beta_{1>200}$	0	230/400 VAC 50 Hz 3 phase 255/460 VAC 60 Hz 3 phase
G03	Glass Fiber 3 micron $\beta_{3>200}$	Heating Element	
A05	Glass Fiber/Polymer 5 micron $\beta_{5>200}$ (water absorption)	0	2000 Watt (Standard)
Seal Material			
B	NBR (Buna-N®) (standard)		
V	FPM (Viton)		