

Technical Data

The Stauff Portable Filter Cart (SPFC) is a very complete and practical unit capable of off-line filtration, filling or emptying reservoirs (if needed via 125µm suction filter) or any application requiring the transfer or filtration of hydraulic oils. Multi stage filtration can be applied to extend element lifetime. The SPFC is available with a variety of Spin-on elements for quick and easy element replacement as well with various pump/motor options. All components are mounted together on a sturdy frame guaranteeing a long lifetime.



Note: For special applications (fluids, temperature, etc.) please contact your local Stauff distributor.

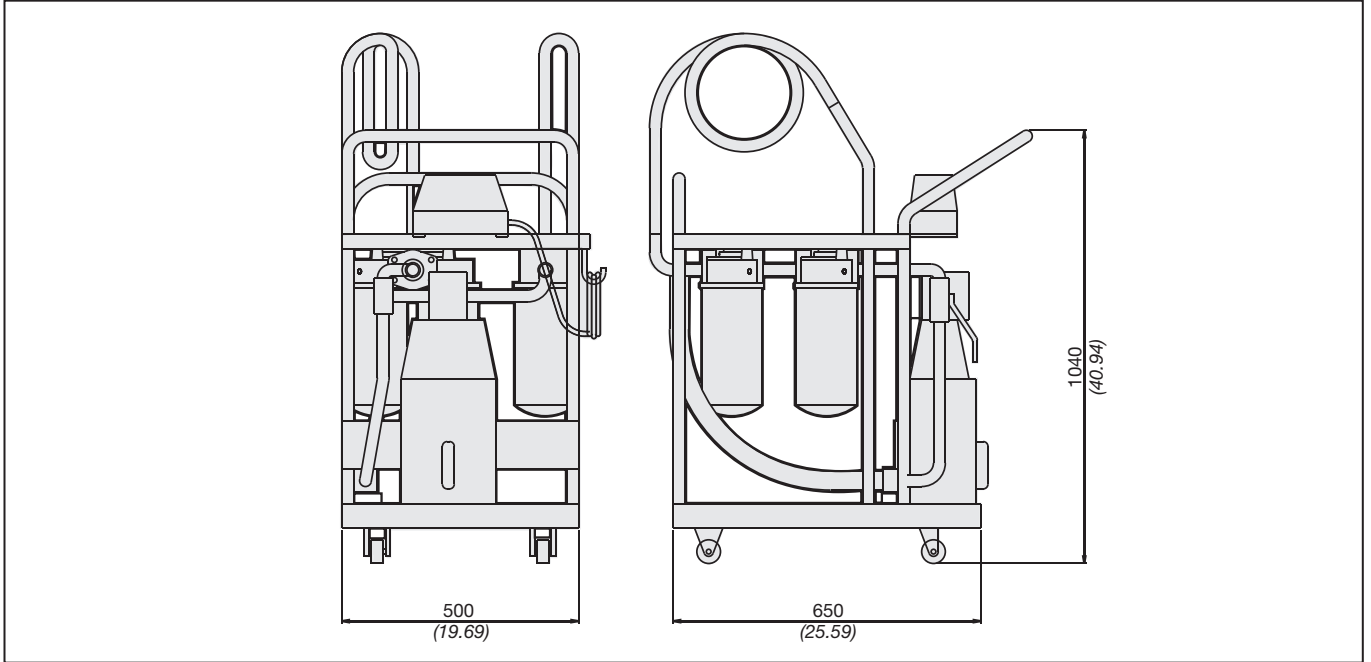
Technical Specification

- 38 l/min (10 US GPM) Gear Pump
- Electric Motor single phase or three phase 3/4 HP
- On/Off Button with 3m (10ft) Power cord
- Heavy Duty Welded Frame with Drip Pan and Tool Tray
- Suction Strainer - 100 Mesh Spin on
- 3m (10ft) Spiral Reinforced PVC Hoses with Wands
- 3-Way Ball Valve to By-pass Filters
- Weight: 86 Kg (190 lbs.)

Options

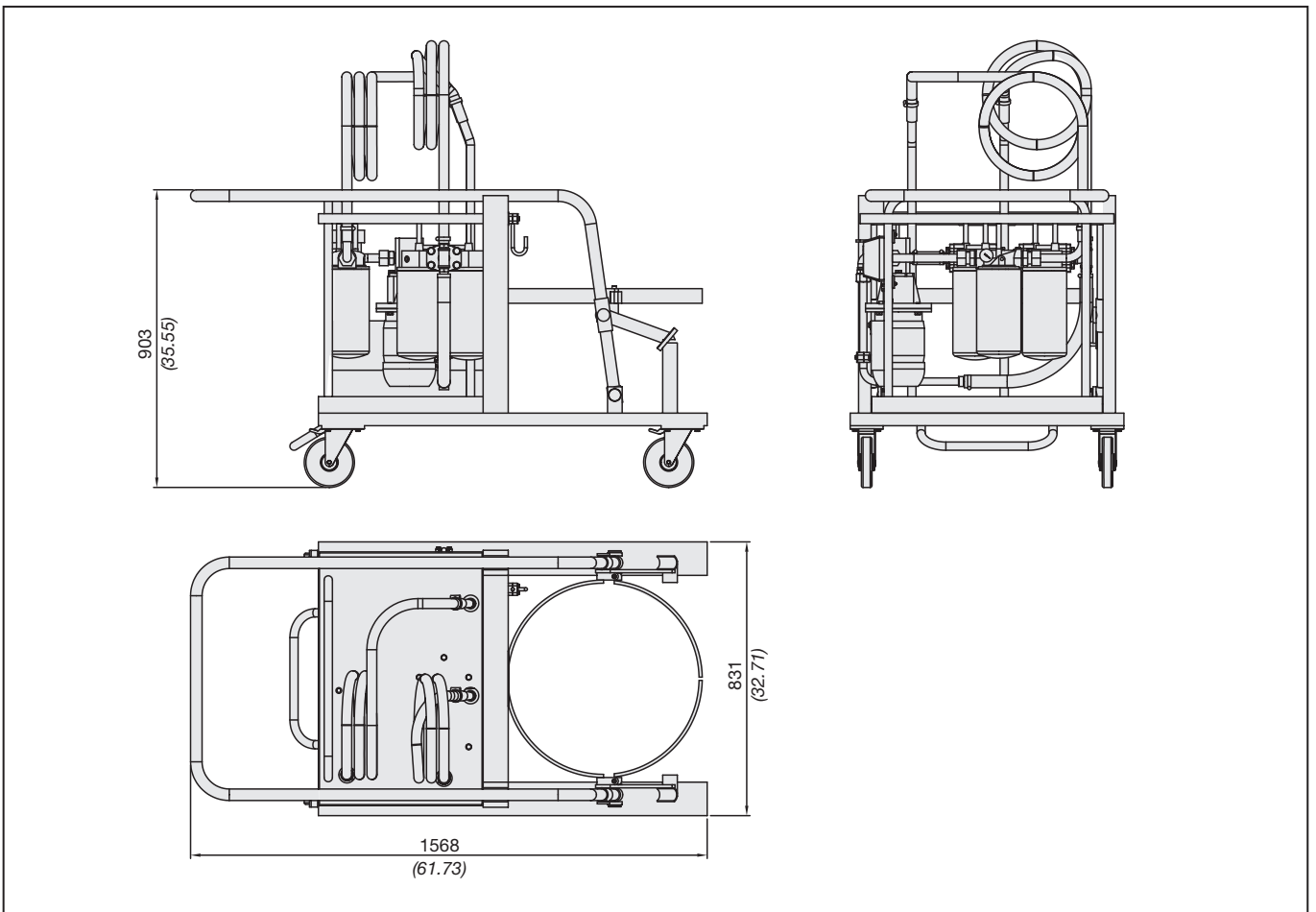
- Single or Dual Stage Filtration
- 3, 6, 12 or 25µm βx= 200 Elements
- Water Absorption Elements
- Drum Cart
- Smart Cart with Laser Particle Monitor contamination indicator

Dimensions SPFC Standard



Dimensions in mm (inch)

Dimensions SPFC...DL Drum Lift



Dimensions in mm (inch)

Technical Data

The Stauff Smart Cart incorporates a laser particle monitor system to the standard SPFC filter cart. With this system the user can set the required ISO codes on the LPM to indicate when the SPFC has filtered the system to the specified cleanliness level. The system will indicate this to the user with an indicator light.

Technical Specifications and Options

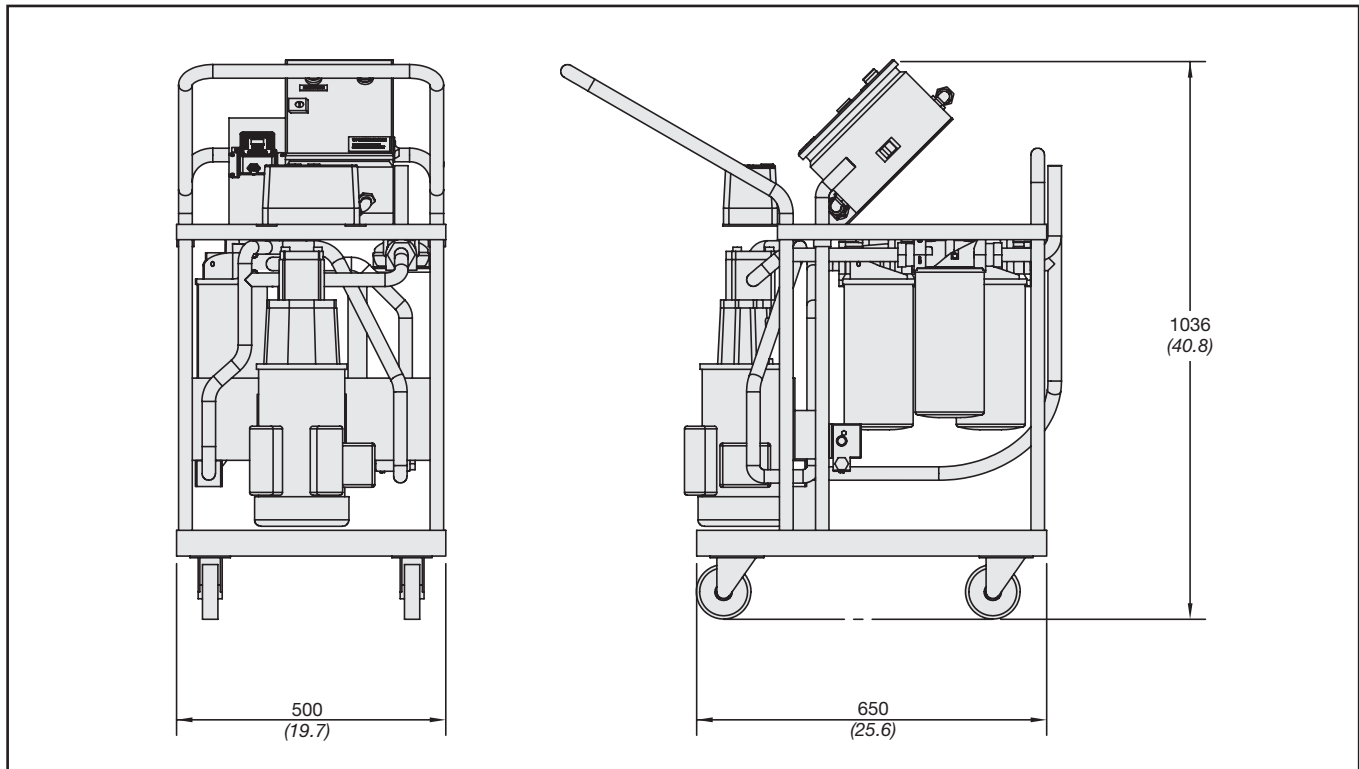
- LIM* controlled with indicator light
- Laser Particle Monitor (LPM)* continuously monitors contamination level
- Touch screen controlled with programmable automatic shutdown
- All other options included with the standard SPFC unit.

* See Diagtronics section of catalog for LPM and LIM details



Dimensions SPFC....SC Smart Cart

FILTRATION



Dimensions in mm (inch)

Technical Data

The Smart Cart SCL can be programmed with desired ISO code cleanliness for up to 4 separate channels (4µm, 6µm, 8µm, and 21µm). When the oil reaches the programmed ISO code on any channel it will ALARM. When the smart cart alarms it will trigger the GREEN light letting the operator know the current reservoir is complete and they can move on to the next piece of equipment.

The Smart Cart SCP offers more versatility. It has an LCD touch screen that displays a graph showing the trending history of the ISO codes as well as data logging capabilities. It can be programmed for low (clean) and high (dirty) ISO code alarms. The unit can also display the status of the LPM giving information such as sample time, Laser Temp, and alarm status.



SPFC...SCL LIM Controlled

SPFC...SCP Touch Screen Interface Modules



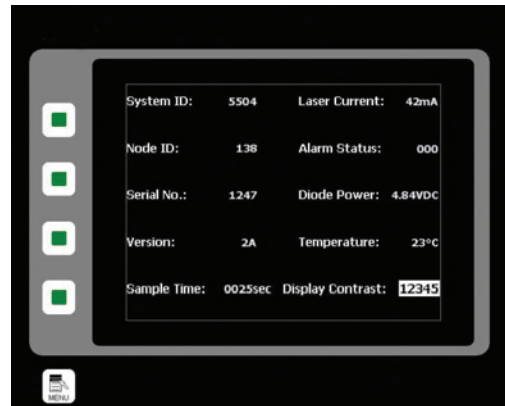
Home Screen



Alarm Set-up



History Graph



System Status

Ordering Code

SPFC - 10 - 2 - 6726 - 6707 - B - V - C - XX

SPFC STAUFF	
Portable Filter Cart	

Flow	
10	38 l/min (10 US GPM) Gear Pump

Stages	
1	1 Stage
2*	2 Stages

Stage 1 Filter Element	
0000	Without Filter Element
6704	Synthetic 3 µm β200
6707	Synthetic 6 µm β200
6731	Synthetic 12 µm β200
6726	Synthetic 25 µm β200
6721	Paper 10 µm
6711	Paper 25 µm
6721-W	Water absorbing 10 µm
6791	Stainless steel wire mesh 125 µm

Special Configuration	
DL	Drum Cart
SCL	Smart Cart - LIM controlled with light
SCP	Smart Cart with touch screen and automatic shutdown. PLC controlled

Electric Motor Voltage	
A	220 VAC@60Hz - Three Phases
B	110 VAC@50Hz - Single Phase
C*	110 VAC@60Hz - Single Phase
D	230 VAC@50Hz - Single Phase
E	230 VAC@60Hz - Single Phase
F	400 VAC@50Hz - Three Phases
G	400 VAC@60Hz - Three Phases
H	440 VAC@50Hz - Three Phases
I	440 VAC@60Hz - Three Phases
X	Special Voltages on request

Contamination Indicator	
O	without indicator
V	visual indicator

Seal Material	
B*	NBR (Buna®)
V	FPM (Viton®)

Stage 2 Filter Element	
0000	Without Filter Element
6704	Synthetic 3 µm β200
6707	Synthetic 6 µm β200
6731	Synthetic 12 µm β200
6726	Synthetic 25 µm β200
6721	Paper 10 µm
6711	Paper 25 µm
6721-W	Water absorbing 10 µm
6791	Stainless steel wire mesh 125 µm

*Standard Stock Options

Technical Data

The Stauff Compact Filter Cart (SCFC) is a very compact, light and handy filter cart, offering excellent service for maintenance departments. The carts assembled with a single or double Spin-on head allow the use of various elements from 3µm absolute to 125µm wire mesh. The SCFC can be used for off line filtration or as a transfer unit.

Technical Specification

- Flow 19 l/min (5 GPM) up to 38 l/min (10 US GPM)
- Electric Motor single phase or three phase 3/4 HP
- Thermal Overload Relays
- Welded frame with tool tray epoxy coated
- Compact Suction Strainer
- Special flexible hoses reinforced with internal spiral, length 3m (10 ft)
- Filter head with by-pass valve integrated
- Visual clogging indicator
- Weight: 53 Kg (117 lbs.)

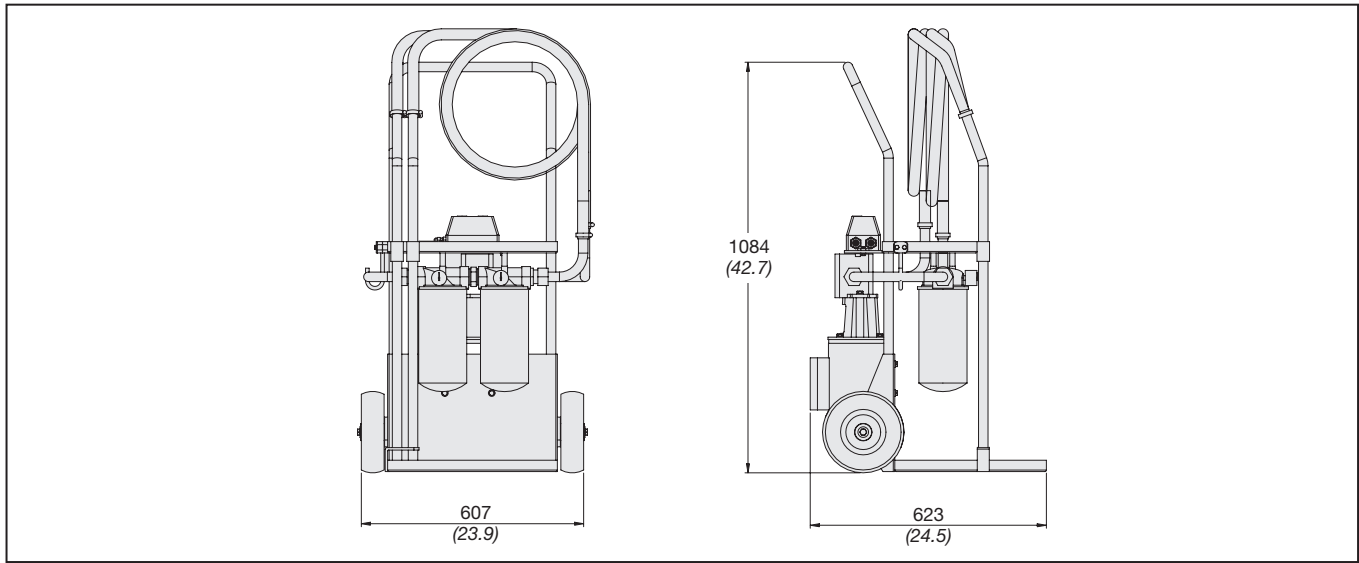
Options

- Single or Dual Stage Filtration
- Gear pump or Vane pump
- Electric Motor Standard: IEC or CSA/NEMA
- Filter Elements: 10 or 25µm (in paper), 3, 6, 12 or 25µm β200 (Inorganic Glass Fiber) or 125µm (Stainless wire mesh)
- Water Absorbing filter elements

Note: For special applications (fluids, temperature, etc.) please contact your local Stauff distributor.



Dimensions



Dimensions in mm (inch)

Ordering Code

SCFC2 - 10 - G - D - 6726 - 6707 - B - V - C - XX

FILTRATION

SCFC2 STAUFF
Compact Filter Cart

Flow	
10	38 l/min (10 US GPM)
5	19 l/min (05 US GPM)

Pump Type	
G*	Gear Pump
V	Vane Pump

Filter Head	
D*	Double Head (Parallel)
S	Single Head
2S*	2 x Single Heads (Series)

Stage 1 Filter Element	
0000	Without Filter Element
6704	Synthetic 3 µm β200
6707	Synthetic 6 µm β200
6731	Synthetic 12 µm β200
6726	Synthetic 25 µm β200
6721	Paper 10 µm
6711	Paper 25 µm
6721-W	Water absorbing 10 µm
6791	Stainless steel wire mesh 125 µm

Special Configurations

Electric Motor Voltage	
A	220 VAC@60Hz - Three Phase
B	110 VAC@50Hz - Single Phase
C*	110 VAC@60Hz - Single Phase
D	230 VAC@50Hz - Single Phase
E	230 VAC@60Hz - Single Phase
F	400 VAC@50Hz - Three Phase
G	400 VAC@60Hz - Three Phase
H	440 VAC@50Hz - Three Phase
I	440 VAC@60Hz - Three Phase
X	Special Voltages on request

Contamination Indicator	
O	without indicator
V*	visual indicator

Seal Material	
B*	NBR (Buna®)
V	FPM (Viton®)
E	EPDM

Stage 2 Filter Element	
Omit	With D or S Filter Head Option
0000	Without Filter Element
6704	Synthetic 3 µm β200
6707	Synthetic 6 µm β200
6731	Synthetic 12 µm β200
6726	Synthetic 25 µm β200
6721	Paper 10 µm
6711	Paper 25 µm
6721-W	Water absorbing 10 µm
6791	Stainless steel wire mesh 125 µm

*Standard Stock Options