

Product Description

The STC temperature transmitter is designed for in process temperature measurement in low pressures. This unit features an all stainless steel construction, a 50mm or 100mm stem length with 1/4NPT process connection, and a 4-20mA output. The user can select the exact temperature range they require at time of order, or they can select a fixed temperature range.

Features

- Stainless steel construction
- 4-20mA output
- Customer specified temperature range -50 to +200°C (-58°F to +392°F)
- L-Plug DIN 175301-803A electrical connection
- Environmental protection rating of IP 65
- 1/4 NPT process connection
- 50mm and 100mm stem lengths

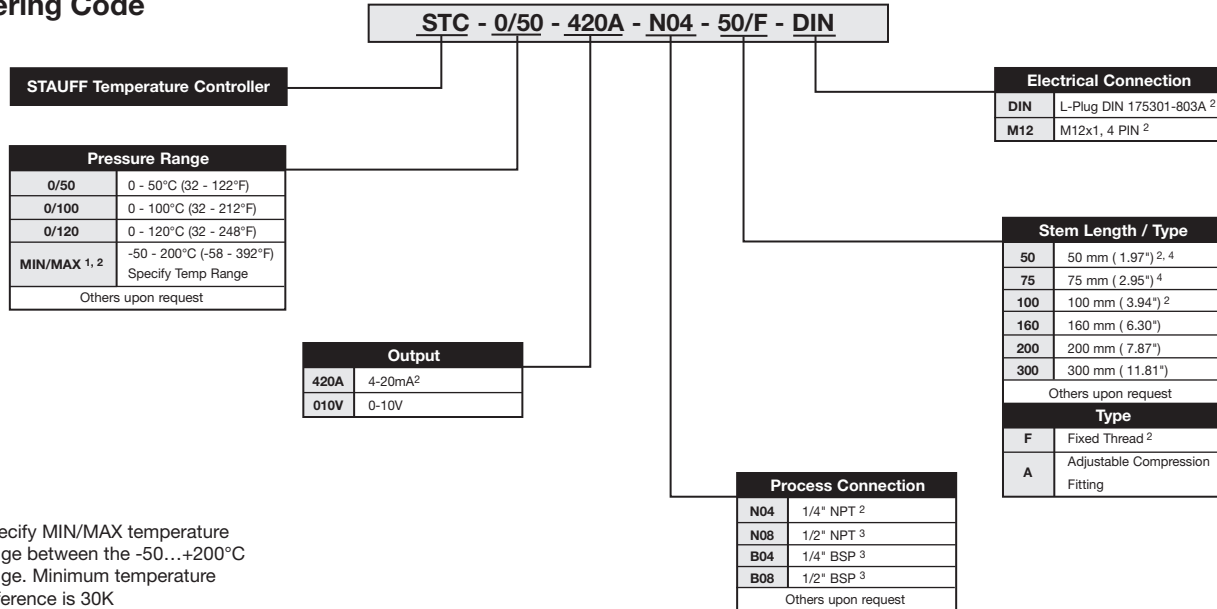


Options

- 0-10 V available output
- 0-50°C, 0-100°C, and 0-120°C fixed measuring ranges available
- M12x1 electrical connection available
- 1/2 NPT, 1/4 BSP, AND 1/2 BSP available thread connections
- 75mm, 100mm, 160mm, and 200mm stem lengths available. (custom upon request)
- Available with an adjustable compression ring version for variable stem length

DIAGNOSTICS

Ordering Code



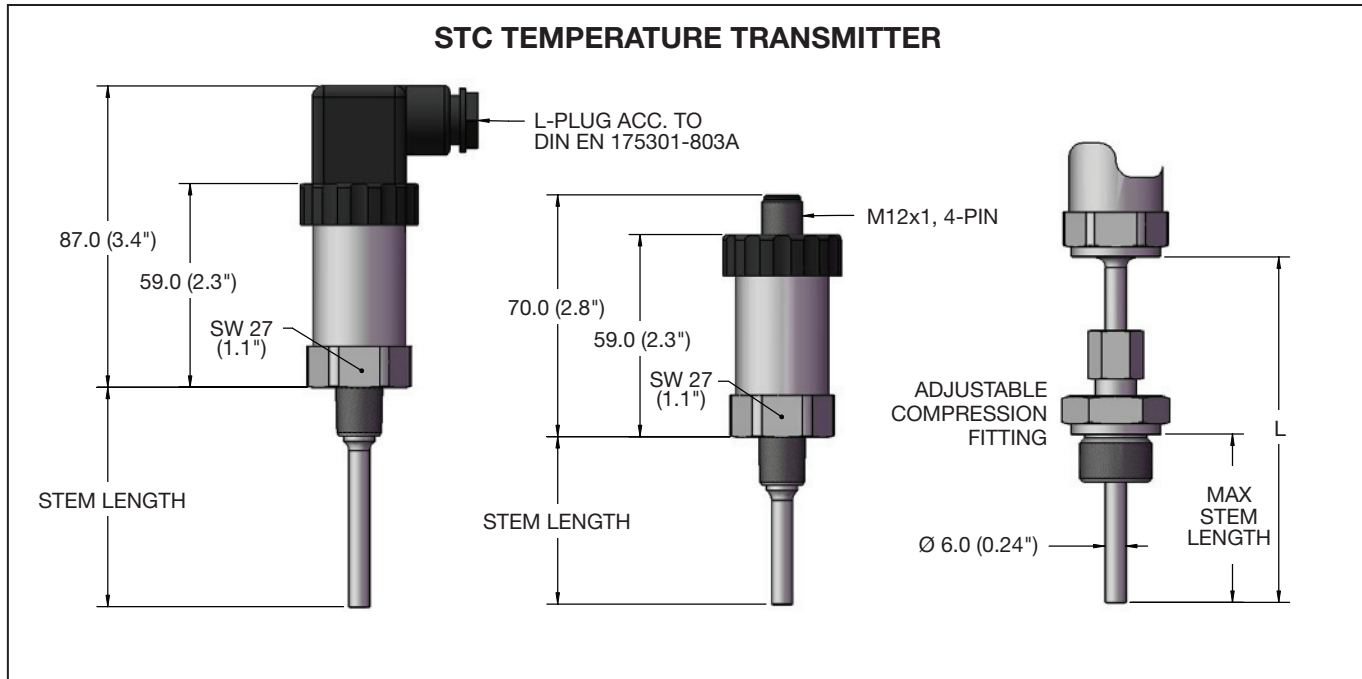
Notes:

- 1 - Specify MIN/MAX temperature range between the -50...+200°C range. Minimum temperature difference is 30K
- 2 - Normally Stocked (Non Stock Items may require minimum quantity)
- 3 - Threads available with the adjustable compression ring fitting
- 4 - Length only available with a fixed thread

Specifications			
Materials	Housing	Stainless Steel 1.4571 (316 Ti)	
	Process Connection		
	Stem		
Output Signal and Supply Voltage		Signal Output	Supply Voltage
		4-20mA, 2 wire	10-30 V DC, ripple <10%
		0-10 V, 3 wire	12-30 V DC, ripple <10%
Error Signal		23mA Sensor Burnout	
		3.3 mA Sensor Short Circuit	
Accuracy	STC-0/XXX	0.5% of Measuring Range	
	STC-MIN/MAX	0.2% (Related to Maximum Temperature Range)	
Temperature Range		-50°C up to +200°C (-58°F up to 392°F)	
Measuring Range (selected range)		Minimum Range	Maximum Range
	STC-0/XXX	50k	250k
	STC-MIN/MAX	30K	Temperature Range
Thread Connections		1/4 NPT, 1/2 NPT, 1/4 BSP, and 1/2 BSP	
Electrical Connections		L-Plug acc. To DIN EN 175301-803 form A	
		M12x1, 4-pin	
Stem Length and Pressure Ranges ¹	STC-0/XXX	50 to 500mm: up to 40 BAR [580 PSI]	
	STC-MIN/MAX	50 to 1000mm: up to 40 BAR [580 PSI]	
Ambient Temperature		85°C [185°F] Max	
Storage Temperature		-40°C up to +85°C [-40°F up to 185°F]	
EMC-Resistance		Emitted Interference acc. DIN EN 61326	
		Breakdown Effect acc. To DIN EN 61326	
Protection Class		IP 65 with L-Plug Connection	
		IP 67 with M12x1 Connection	
Weight		Approx 0.14 kg/0.31lbs (Dependant on Stem Length)	

1 - Pressure ranges refer to static pressure.

Dimensional Data



Wiring Diagram

