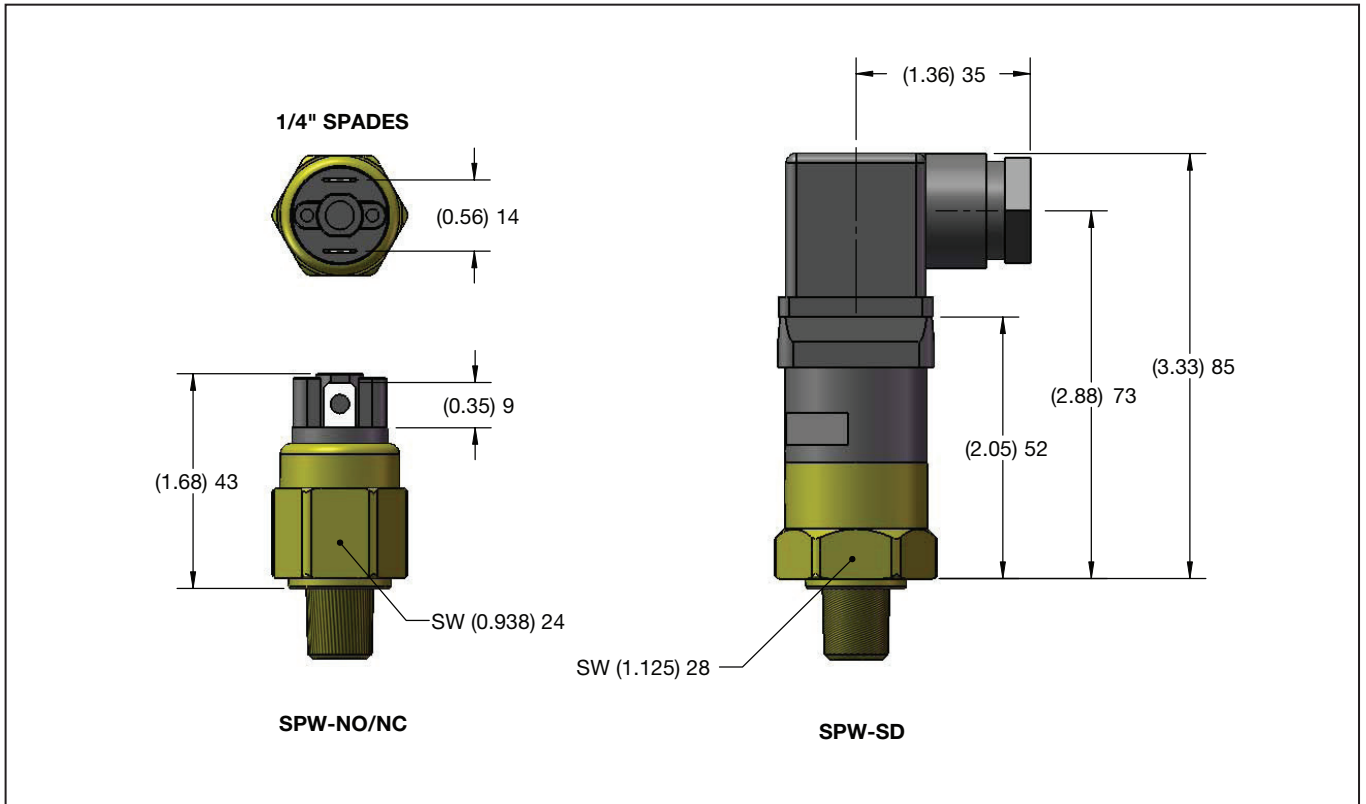


## DIMENSIONS & WIRING INFORMATION

### Dimensional Data



DIAGTRONICS

### Wiring Information

