

Product Description

The SPW mechanical pressure switch is available in a variety of pressure ranges. This durable unit has an adjustable set point that is easily changed by using the adjustment screw which is located under the protective cap.

Features

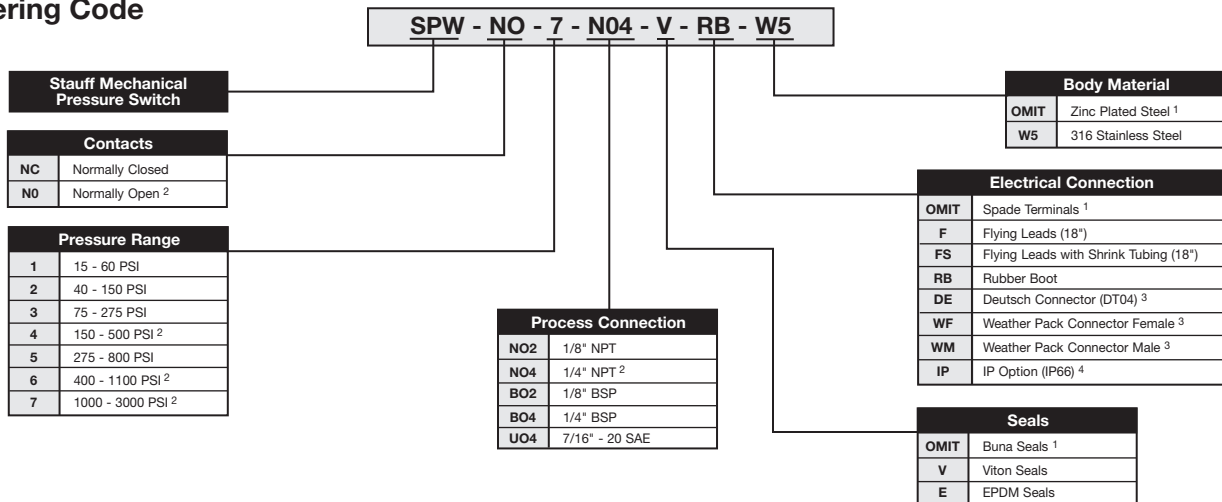
- Normally open, or SPDT switching function
- Pressure ranges available up to 3000 PSI
- 1/4" NPT process connection
- NBR seals
- Zinc Plated Steel

Options

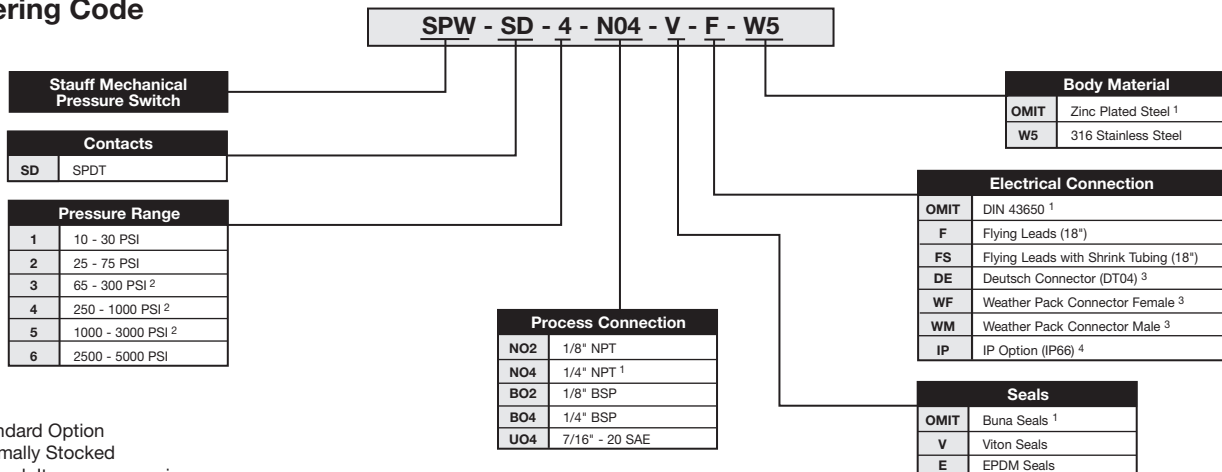
- Pressure ranges available up to 5000 PSI
- 1/8"NPT, 1/8"BSP, 1/4"BSP, and 7/16-20 SAE process connections
- Viton and EPDM seals
- Flying leads, flying leads with shrink tubing, rubber boot, Deutsch connector, Weather Pack connector female/male, and IP option.
- 316 stainless steel



Ordering Code



Ordering Code



Notes:

- 1 - Standard Option
- 2 - Normally Stocked (Non Stock Items may require minimum quantity)
- 3 - Includes FS option
- 4 - IP option requires a fixed set point. Indicate at the end of the part number.