

Product Description

The SPW mechanical pressure switch is available in a variety of pressure ranges. This durable unit has an adjustable set point that is easily changed by using the adjustment screw which is located under the protective cap.

Features

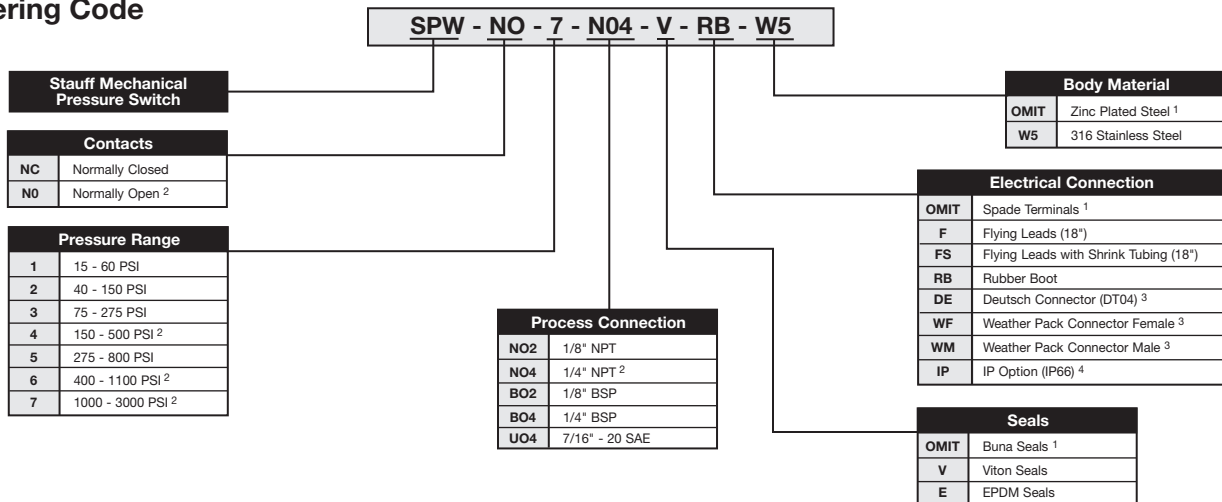
- Normally open, or SPDT switching function
- Pressure ranges available up to 3000 PSI
- 1/4" NPT process connection
- NBR seals
- Zinc Plated Steel

Options

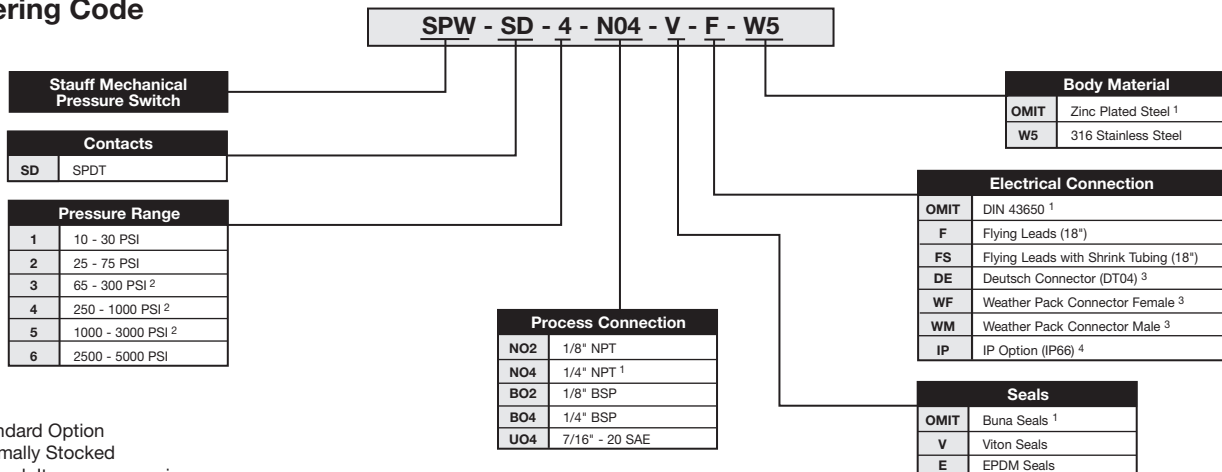
- Pressure ranges available up to 5000 PSI
- 1/8"NPT, 1/8"BSP, 1/4"BSP, and 7/16-20 SAE process connections
- Viton and EPDM seals
- Flying leads, flying leads with shrink tubing, rubber boot, Deutsch connector, Weather Pack connector female/male, and IP option.
- 316 stainless steel



Ordering Code



Ordering Code



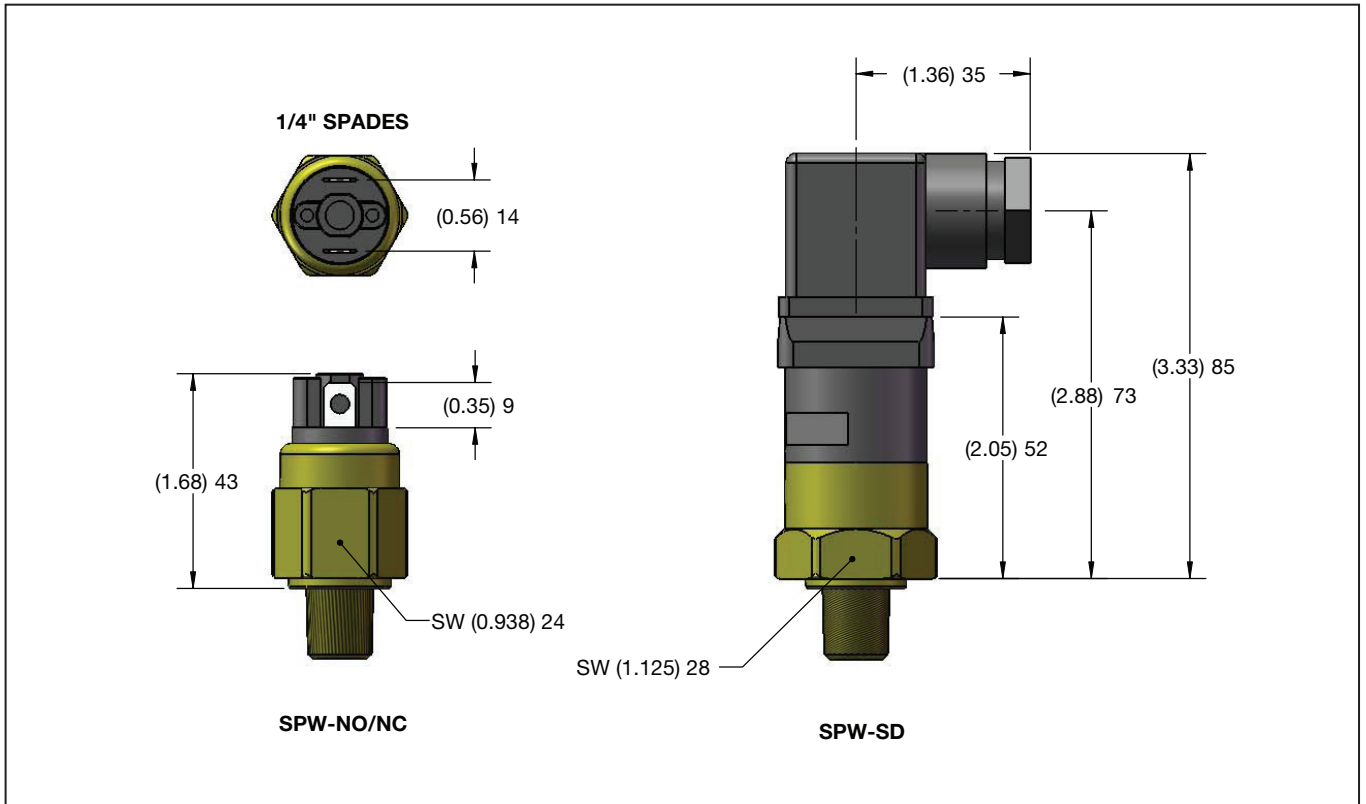
Notes:

- 1 - Standard Option
- 2 - Normally Stocked (Non Stock Items may require minimum quantity)
- 3 - Includes FS option
- 4 - IP option requires a fixed set point. Indicate at the end of the part number.

Specifications			
Materials	Body	Zinc Plated Steel or 316 Stainless Steel	
	Connector	Nylon 6.6	
	Diaphragm / Gasket	Per Ordering Code, Details Below	
Electrical Rating	SPW-NC/NO	100 VA Max	
	SPW-SD	5A @ 125/250 Volts AC, 5A resistive/ 3A inductive @ 28 V DC	
Max Pressure	Proof	6000 PSI	
	Burst	9000 PSI	
Switching Outputs	Switching Function	Normally Closed (NC), Normally Open (NO), or SPDT	
	Cycle Rate	SPW-NC/NC...30 CPM, SPW-SD...20 CPM	
	Mechanical Life	2,000,000 Operations	
Repeatability and Average Deadband	SPW-NC/NO	Repeatability	Average Deadband
	1	±1.5 PSI + 3% of setting	3 PSI + 5% of setting
	2	±2.5 PSI + 3% of setting	5 PSI + 6% of setting
	3	±3.75 PSI + 3% of setting	7 PSI + 8% of setting
	4	±5 PSI + 3% of setting	10 PSI + 10% of setting
	5	±8 PSI + 3% of setting	15 PSI + 11% of setting
	6	±13 PSI + 3% of setting	30 PSI + 12% of setting
	7	±35 PSI + 3% of setting	70 PSI + 14% of setting
	SPW-SD		
	1	±1.5 PSI + 2% of setting	3.5 PSI + 11% of setting
	2	±2.5 PSI + 2% of setting	3.5 PSI + 11% of setting
	3	±5 PSI + 2% of setting	20 PSI + 11% of setting
	4	±15 PSI + 2% of setting	45 PSI + 12% of setting
	5	±30 PSI + 2% of setting	70 PSI + 12% of setting
6	±50 PSI + 2% of setting	140 PSI + 13% of setting	
Temperature Ranges		SPW-NC/NO	SPW-SD
	Nitrile	15...+230°F (-9...+110°C)	15...+185°F (-9...+85°C)
	Viton	0...+230°F (-18...+110°C)	0...+185°F (-18...+85°C)
	EPDM	-40...+230°F (-40...+110°C)	-10...+185°F (-23...+85°C)
Process Connection		1/8"NPT, 1/4"NPT, 1/8"BSP, 1/4"BSP, and 7/16-20 SAE	
Protection Class	SPW-NC/NO	Spade terminals - IP00 (standard)	
	SPW-SD	DIN 43650 - IP65 (standard)	

DIMENSIONS & WIRING INFORMATION

Dimensional Data



Wiring Information

