

Product Description

The PT pressure transmitter features a durable fiberglass reinforced PBT case, an internal metal sleeve for excellent EMI protection, and an all welded thin film measuring cell for exceptional long term stability. This product is available with a flying lead option which is rated to IP 69K for resistance to high pressure steam wash down. Produced on a high volume fully automated assembly line, the PT pressure transmitter is especially focused to provide a high number of transmitters to the end user while maintaining a consistent quality.

Features

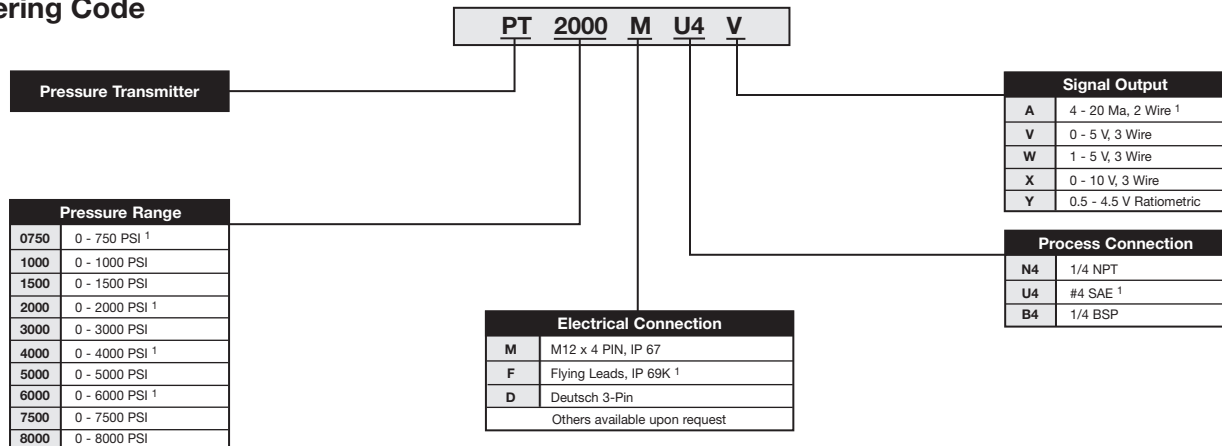
- IP 69K rated safety class (flying leads)
- Pressure ranges of 0-750 PSI, 0-2000 PSI, 0-4000 PSI, and 0-6000 PSI
- 4-20mA output
- #4 SAE process connection
- Rugged PBT housing
- Internal metal sleeve
- Stainless steel connection
- Long term stability
- Temperature compensated
- Protected against incorrect polarity, short circuits, and over-voltage



Options

- 0-10V, 1-5V, 0.5-4.5V available outputs
- 1/4 NPT and 1/4 BSP available thread connections
- M12x1 and 3-Pin Deutsch electrical connections

Ordering Code



Notes:

1 - Normally Stocked Option (Non Stock Items may require minimum quantity)