

## Product Description

The PT pressure transmitter features a durable fiberglass reinforced PBT case, an internal metal sleeve for excellent EMI protection, and an all welded thin film measuring cell for exceptional long term stability. This product is available with a flying lead option which is rated to IP 69K for resistance to high pressure steam wash down. Produced on a high volume fully automated assembly line, the PT pressure transmitter is especially focused to provide a high number of transmitters to the end user while maintaining a consistent quality.

## Features

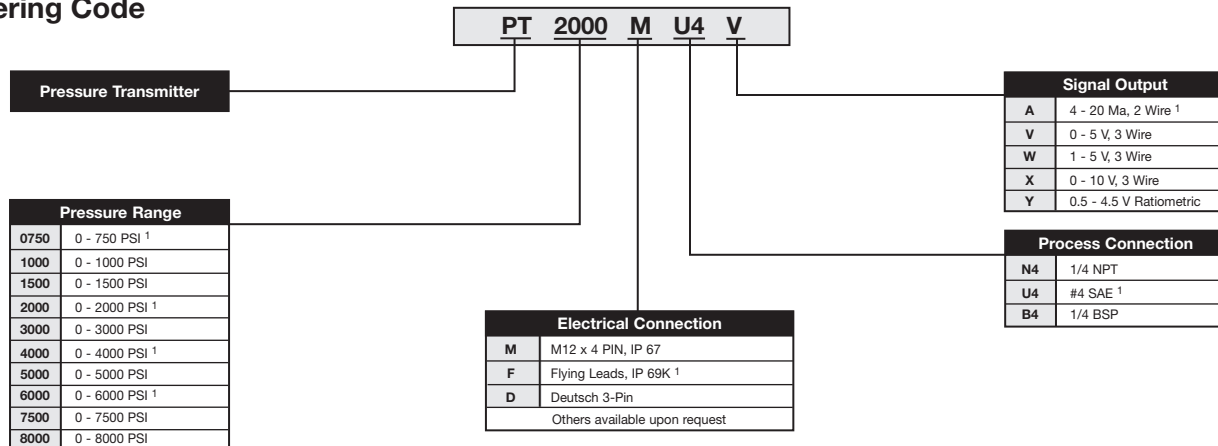
- IP 69K rated safety class (flying leads)
- Pressure ranges of 0-750 PSI, 0-2000 PSI, 0-4000 PSI, and 0-6000 PSI
- 4-20mA output
- #4 SAE process connection
- Rugged PBT housing
- Internal metal sleeve
- Stainless steel connection
- Long term stability
- Temperature compensated
- Protected against incorrect polarity, short circuits, and over-voltage



## Options

- 0-10V, 1-5V, 0.5-4.5V available outputs
- 1/4 NPT and 1/4 BSP available thread connections
- M12x1 and 3-Pin Deutsch electrical connections

## Ordering Code



### Notes:

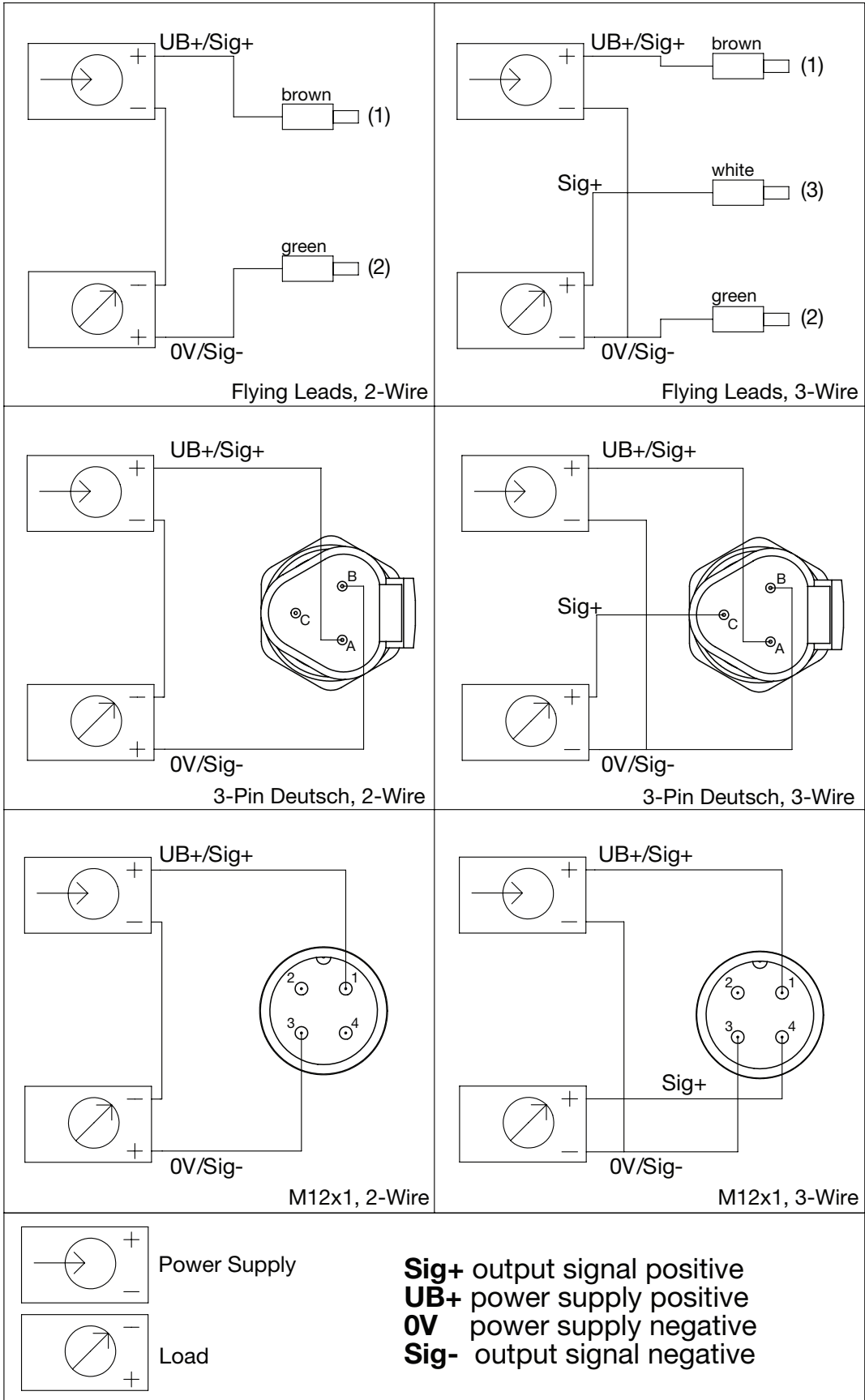
1 - Normally Stocked Option (Non Stock Items may require minimum quantity)

Specifications										
<b>Pressure Range</b>	750 PSI	1,000 PSI	1,500 PSI	2,000 PSI	3,000 PSI	4,000 PSI	5,000 PSI	6,000 PSI	7,500 PSI	8,000 PSI
<b>Maximum Pressure</b>	1,740 PSI	1,740 PSI	2,900 PSI	2,900 PSI	7,250 PSI	7,250 PSI	11,600 PSI	11,600 PSI	17,400 PSI	17,400 PSI
<b>Burst Pressure</b>	7,970 PSI	7,970 PSI	11,600 PSI	11,600 PSI	17,400 PSI	17,400 PSI	24,650 PSI	24,650 PSI	34,800 PSI	34,800 PSI
*Pressure applied up to the maximum rating will cause no permanent change in specifications but may lead to zero and span shifts. **Exceeding the burst pressure may result in destruction of the transmitter and possible loss of media										
<b>Materials</b>										
<b>Wetted Parts</b>	Stainless Steel									
<b>Case</b>	Fiberglass-reinforced polybutylene terephthalate (PBT)									
<b>Power Supply U<sub>B</sub></b>			<b>Signal Output</b>			<b>Power Supply U<sub>B</sub></b>		<b>Maximum Load R<sub>A</sub></b>		
<b>Signal Output and Maximum Load R<sub>A</sub></b>			4-20mA, 2-wire			10-36 DC V		R <sub>A</sub> ≤ (U <sub>B</sub> -10V) / 0.02A with R <sub>A</sub> in Ohm and U <sub>B</sub> in Volt		
			1-5V, 3 wire			8-36 DCV		R <sub>A</sub> > 2.5kOhm		
			0-10V, 3-wire			14-36 DCV		R <sub>A</sub> > 5kOhm		
			0.5-4.5V, ratiometric			5±0.5 DCV		R <sub>A</sub> > 4.5 kOhm		
			Others on request							
<b>Response Time (10-90%)</b>	ms		≤2							
<b>Isolation Voltage</b>	DCV		500							
<b>Accuracy</b>	% of span		≤0.5 (BFSL)							
	% of span		≤1.0 (limit point calibration) (Includes linearity, hysteresis, and repeatability)							
<b>Repeatability</b>	% of span		≤0.2							
<b>One Year Stability</b>	% of span		≤0.3 (at reference conditions)							
<b>Permissible Temperature of:</b>										
<b>Media*</b>			-40....+257°F			-40....+125°C				
<b>Ambient*</b>			-40....+212°F			-40....+100°C				
<b>Storage*</b>			-40....+248°F			-40....+120°C				
	(*) Also complies with EN 50178, Tab. 7, Operation (C) 4K4H, Storage (D) 1K4, Transport (E) 2K3									
<b>Compensated Temperature Range</b>			+32....+176°F			0....+80°C				
<b>Temperature Coefficients (TC) within Compensated Temperature Range:</b>										
<b>Mean TC of Zero</b>	% of span		≤0.15 / 10K (special pressure ranges may have increased zero TC)							
<b>Mean TC of Range</b>	% of span		≤0.15 / 10K							
<b>CE Conformity</b>	89/336/EWG interference emission and immunity see EN 61 326 interference emission limit class A and B. 97/23/EG pressure equipment directive.									
<b>Shock Resistance</b>	G		500 according to IEC 60068-2-27 (mechanical shock)							
<b>Vibration Resistance</b>	G		20 according to IEC 60068-2-6 (vibration under resonance)							
<b>Wiring Protection</b>	Protected against short circuiting signal+ to UB- / OV									
	Protected against reverse polarity except ratiometric output signals									
<b>Weight</b>	OZ		Approximately 2.1							

## Dimensional Data

Type	A	B	Threads
N4	(0.76) 19.2mm	(0.71) 18.0mm	1/4" NPT
U4	(0.69) 17.6mm	(0.36) 9.14mm	#4 SAE, 7/16-20 UNF-2A
B4	(0.80) 20.2mm	(0.47) 12.0mm	1/4" BSP

## Electrical Connection



DIAGNOSTICS