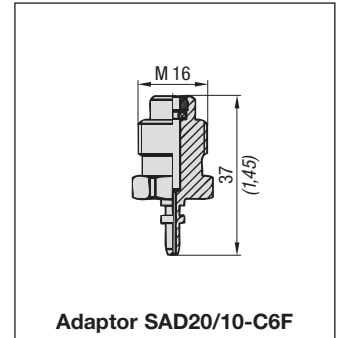
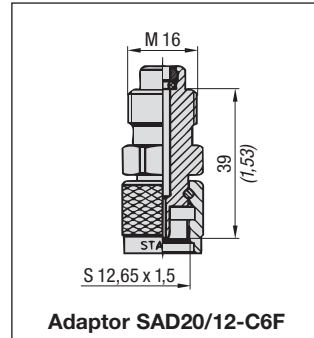
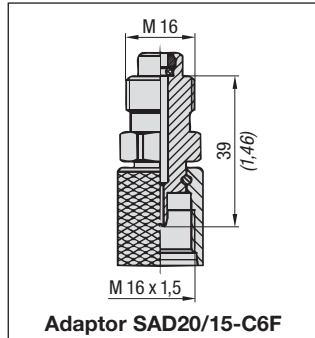
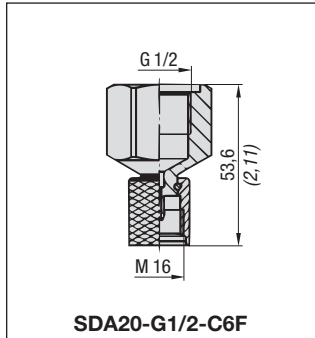


## Connection Adaptors for the PPC Pressure Sensors

In addition to the PPC-04/12-PT /2 pressure sensors, different adaptors and adaptor sets are available that not only connect to the familiar STAUFF Test 20 system (SDA20-G1/2 adaptor) but also to the test points of the STAUFF Test 15/12/10 series (SAD20/15-P, SAD20/12-P, SAD20/10-P). All of these adaptors are included as standard with a PPC complete system (see pages D51-D52).



You can find additional information about available connection adaptors in the STAUFF Test section of this catalog.

## Product Description

The PPC-04/12-TS inline temperature sensor measures current temperatures directly in the pipeline and is compatible with the PPC-04/12-SFM flow turbine (see page D47) and the SGV-16S-G straight threaded joint (see the figure). The new PPC-04/12-TSH rod-type temperature sensor is especially designed to determine the media temperatures in tanks and containers. Both sensors can measure media temperatures without problems up to 125°C (257°F) and are connected to the PPC hydraulic testers by way of a PPC-04/12-CAB3 (3 m / 10 ft.) cable to be ordered separately.

## Specifications

- Materials
  - Housing (TS) Steel (C15K), galvanized and yellow chromated
  - Gaskets (TS) FKM (Viton)
  - Rod (TSH) Stainless steel 1.4304
  - Handle (TSH) Delrin
- Weight (TS) 100 g (0,22 lbs.)
- Weight (TSH) 120 g (0,26 lbs.)
- Measurement medium liquids (in the case of aggressive media, only after consultation)
- 5-pin connection
- Connection
  - STAUFF Test connection
  - SGV-16S in the pipeline (TS, see drawing)
  - Screw-in thread M 10 x 1 (TS, see drawing)

## Technical Data

### Ambient Conditions

- Media temperature: max. 125°C (257°F)
- Ambient temperature: -25°C ... 70°C (-13°F ... 158°F)
- Storage temperature: -25°C ... 80°C (-13°F ... 176°F)

### Measuring Range

- Measuring range: -25°C ... 125°C (-13°F ... 257°F)
- Operating pressure (TS): 630 bar (9.000 PSI)
- Maximum pressure (TS): 800 bar (11.600 PSI)
- Burst pressure (TS): 1.200 bar (17.400 PSI)
- Accuracy: ± 1,5°C

### Electrical Data

- Response time T (TS) approx. 13,5 s
- Response time T (TSH) approx. 9,1 s
- Safety class (TS) EN 60529 - IP54

All dimensions in mm (inch)

