

Junction Adaptor Clamps (Steel Fitting)

STANDARD-SERIES

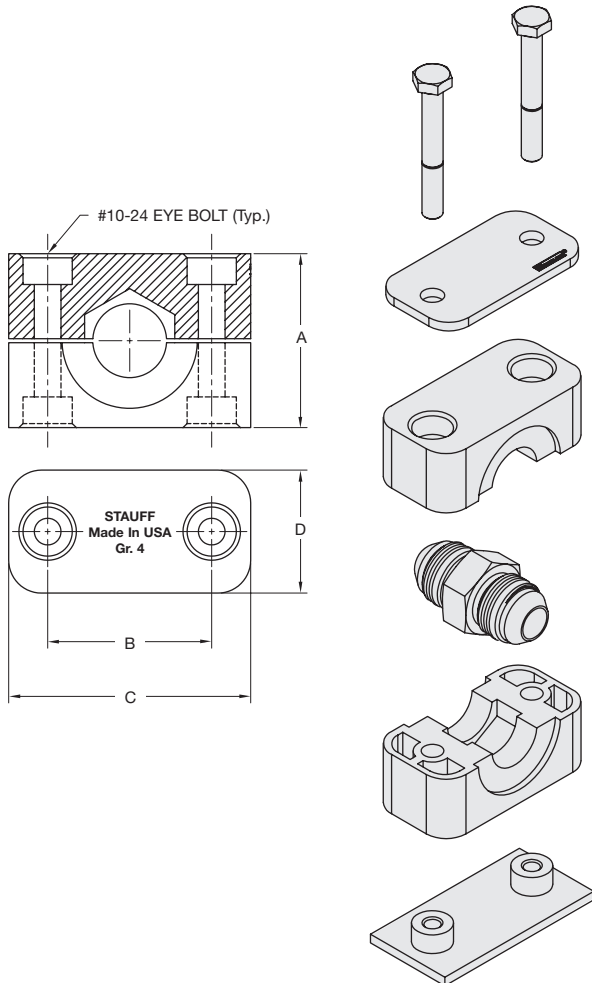
For Use With Hydro-Craft®

- MALE JUNCTION Adaptor - B SERIES
- FEMALE JUNCTION Adaptor - BSAE SERIES
- MALE JUNCTION Adaptor-PIPE - BFM SERIES
- O-RING FACE SEAL - MALE JUNCTION Adaptor
- FB SERIES
- LFB SERIES

Part Number	STAUFF Group	Hydro-Craft® Series
4BA10PP	4	10
5BA16 PP	5	16

DIMENSIONS

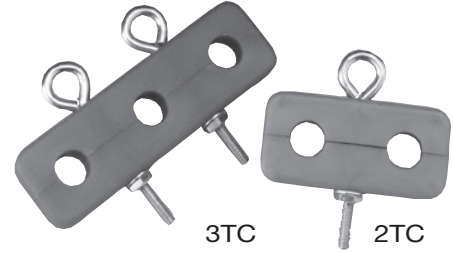
GROUP	A		B		C		D	
	mm	in	mm	in	mm	in	mm	in
4	40	1.57	40	1.57	58	2.28	30	1.18
5	59	2.32	52	2.05	69	2.72	30	1.18
7	93	3.66	94	3.70	118	4.65	30	1.18



Truck Clamp Type TC for Brake Lines

Size Range:
1/4" - 7/8"

Notes:
Material: PP
Color: Green



Part Number <small>Plastic Only</small>	Line Size D	Part Number <small>Complete Assembly</small>
2TC064PP	1/4"	2TC064
2TC095PP	3/8"	2TC095
2TC127PP	1/2"	2TC127
2TC160PP	5/8"	2TC160
2TC190PP	3/4"	2TC190
2TC222PP	7/8"	2TC222
3TC064PP	1/4"	3TC064
3TC095PP	3/8"	3TC095
3TC127PP	1/2"	3TC127
3TC160PP	5/8"	3TC160
3TC190PP	3/4"	3TC190
3TC222PP	7/8"	3TC222

Complete assembly comprises 2 plastic halves and 1 or 2 bolts and 1 or 2 nuts.

