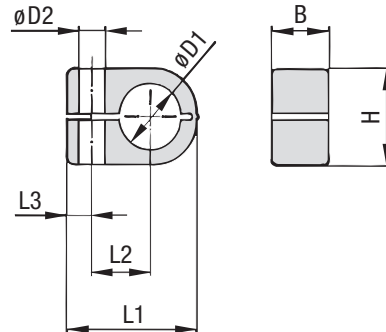
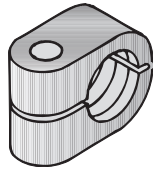


Applications: Pneumatics, Instrumentation and Automotive Technology, Machine Tool Industry, Lubrication, Mechanical Engineering. Also suitable for cables and hoses.

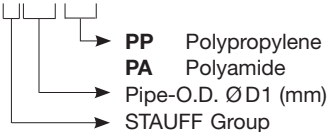
Type LN



STAUFF Group	Outside diameter Tube or Hose ØD1		Nominal bore Pipe inch	L1	L2	L3	B	H	øD2	Clamp Material XX	Color
	mm	inch									
1	06			22	9	7	14,5	13,5	6,8	PP	green
	06,4	1/4		0.87"	0.35"	0.28"	0.57"	0.53"	0.31"	PA	black
	08										
2	08			27	11	7	14,5	18,5	6,8	PP	green
	09,5	3/8									
	10		1/8								
	12										
	12,7	1/2									
3	10		1/8	33	15	7	14,5	23,5	6,8	PP	green
	12										
	12,7	1/2									
	13,5		1/4								
	14										
	15										
	16	5/8									
4	14			40	19	7	14,5	30,5	6,8	PP	green
	15										
	16	5/8									
	17,2		3/8								
	18										
	19	3/4									
	20										
	21,3		1/4								
	22										

ORDER CODE

LN *** xx



Other thermoplastics and diameters upon request.