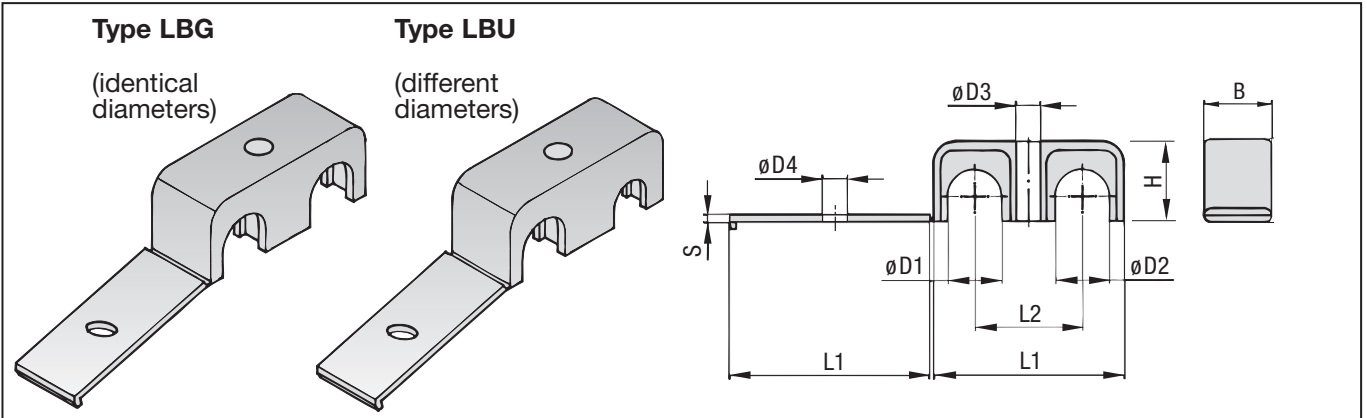


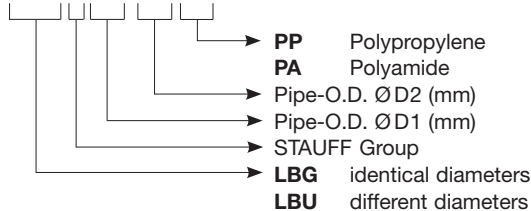
**Applications:** Pneumatics, Instrumentation and Automotive Technology, Machine Tool Industry, Lubrication, Mechanical Engineering



STAUFF Group	Outside diameter Tube or Hose ØD1/D2		Nominal bore Pipe inch	L1	L2	B	H	S	øD3	øD4	Clamp Material XX	Color
	mm	inch										
1	03,2/03,2	1/8 / 1/8		31 1.22"	18 0.71"	12 0.47"	10,5 0.41"	2 0.08"	6,8 0.27"	7 0.28"	PP	black
	06/06										PA	yellow
	06,4/06,4	1/4 / 1/4										
	08/08											
2	09,5/09,5	3/8 / 3/8		39 1.54"	22 0.87"	16 0.63"	14,5 0.57"	2 0.08"	6,8 0.27"	7 0.28"	PP	black
	10/10		1/8 / 1/8								PA	yellow
	11,1/11,1											
	12/12											
3	12,7/12,7	1/2 / 1/2		53 2.08"	30 1.18"	20 0.79"	22,5 0.89"	2 0.08"	6,8 0.27"	7 0.28"	PP	black
	13,5/13,5		1/4 / 1/4								PA	yellow
	14/14											
	15/15											
	16/16	5/8 / 5/8										
	17,2/17,2		3/8 / 3/8									
18/18												
4	19/19	3/4 / 3/4		70 2.76"	38 1.50"	20 0.79"	30 1.18"	2 0.08"	6,8 0.27"	7 0.28"	PP	black
	20/20										PA	yellow
	21,3/21,3		1/2 / 1/2									
	22/22											
	25/25											
	25,4/25,4	1 / 1										

### ORDER CODE

LBx \*\*\*/\*\* \*\*



### Type

- LBG** Double pipe clamp for two identical diameters
- LBU** Double pipe clamp for two different diameters

Other thermoplastics and diameters upon request.