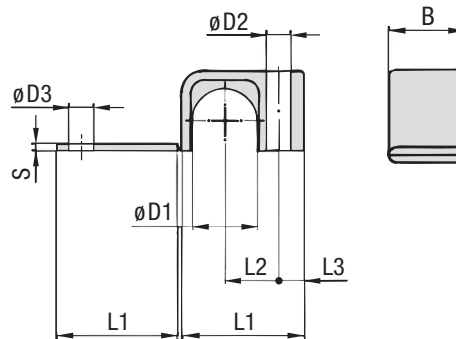
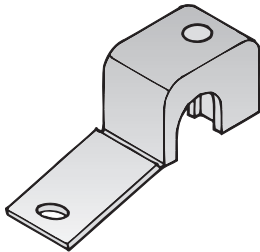


Applications: Pneumatics, Instrumentation and Automotive Technology, Machine Tool Industry, Lubrication, Mechanical Engineering

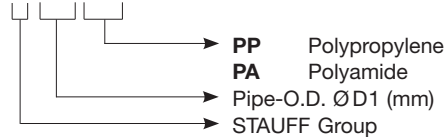
Type LB



Stauff Group	Outside diameter Tube or Hose $\varnothing D1$		Nominal bore Pipe inch	L1	L2	L3	B	H	S	$\varnothing D2$	$\varnothing D3$	Clamp Material XX	Color
	mm	inch											
1	03,2	1/8											
	06			22	9	6,5	12	10,5	2	6,8	7	PP	black
	06,4	1/4		0.87"	0.35"	0.26"	0.47"	0.41"	0.08"	0.27"	0.28"	PA	yellow
	08												
2	09,5	3/8											
	10		1/8	27	11	7	16	15	2	6,8	7	PP	black
	11,1			1.06"	0.43"	0.28"	0.63"	0.59"	0.08"	0.27"	0.28"	PA	yellow
	12												
3	12,7	1/2											
	13,5		1/4										
	14			34	15	7	20	22,5	2	6,8	7	PP	black
	15			1.39"	0.59"	0.28"	0.79"	0.89"	0.08"	0.27"	0.28"	PA	yellow
	16	5/8											
	17,2		3/8										
18													
4	19	3/4											
	20												
	21,3		1/2	42	19	7	20	30	2	6,8	7	PP	black
	22			1.65"	0.75"	0.28"	0.79"	1.18"	0.08"	0.27"	0.28"	PA	yellow
	25												
	25,4	1											

ORDER CODE

LB * * * *



Other thermoplastics and diameters upon request.