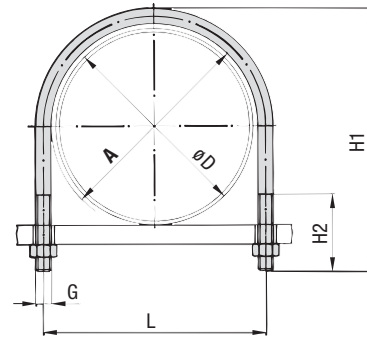


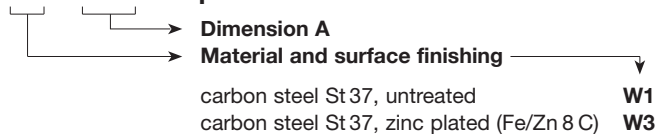
Nominal Bore
inch



DN	Pipe-O.D. Ø D		Round Steel U-Bolt RBD						G	
	mm	inch	A		L		H1			H2
			mm	inch	mm	inch	mm	inch	mm	inch
20	25		30		40		70		40	
	26,9	3/4		1.18		1.57		2.76		
25	30		38		48		76		50	1.57
	33,7	1		1.50		1.89		2.99		
32	38		46		56		86		60	1.97
	42,4	1 1/4		1.81		2.20		3.39		
40	44,5		52		62		92		70	2.36
	48,3	1 1/2		2.05		2.44		3.62		
50	57		64		76		109		80	2.76
	60,3	2		2.52		2.99		4.29		
65	76,1	2 1/2	82	3.23	94	3.70	125	4.92		
80	89,9	3	94	3.70	106	4.17	138	5.43		
100	108		120		136		171		80	2.76
	114,3	4		4.72		5.35		6.73		
125	133		148		164		191		90	3.15
	139,7	5		5.83		6.46		7.52		
150	159		176		192		217		100	3.54
	168,3	6		6.93		7.56		8.54		
175	193,7		202	7.95	218	8.58	249	9.80		
200	216		228		248		283		110	3.94
	219,1	8		8.98		9.76		11.14		
250	267		282		302		334		120	4.72
	273	10		11.10		11.89		13.15		
300	318		332		352		385		130	5.51
	323,9	12		13.07		13.86		15.16		
350	355,6		378		402		435		140	6.30
	368	14		14.88		15.83		17.13		
400	406,4		428		452		487		150	7.09
	419	16		16.85		17.80		19.17		
500	508		530		554		589		160	7.88
	521			20.87		21.81		23.19		

ORDER CODE

RBDxx A *** kompl



Clamp consisting of:

- 1 x Round Steel U-Bolt
- 2 x Nuts DIN EN ISO 4032

Information

Items are supplied non-assembled.

Other materials and surface finishings available upon request.