

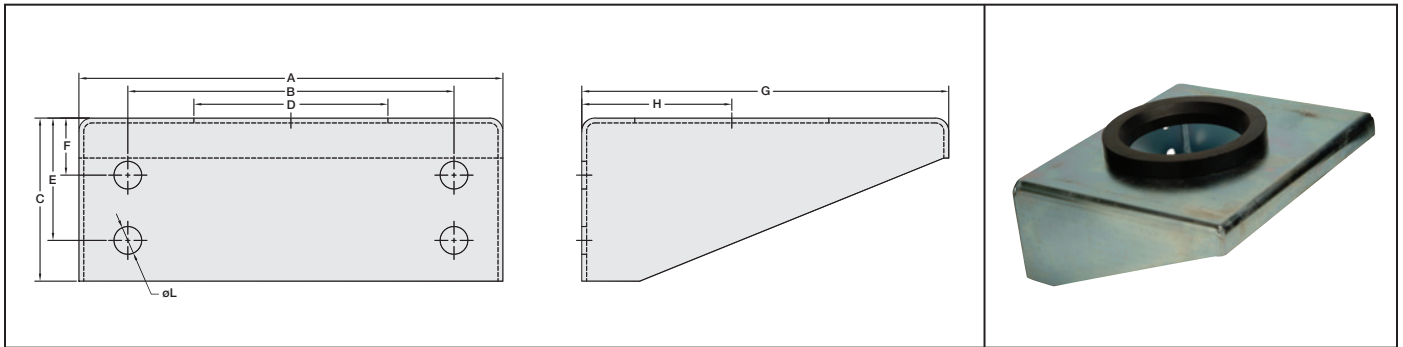
## Type BB & RR Series

### Specifications

- Rubber Bushing to reduce vibration and noise
- Compensation for thermal expansion and contraction
- Galvanized to resist corrosion
- Special sizes and designs are available upon request

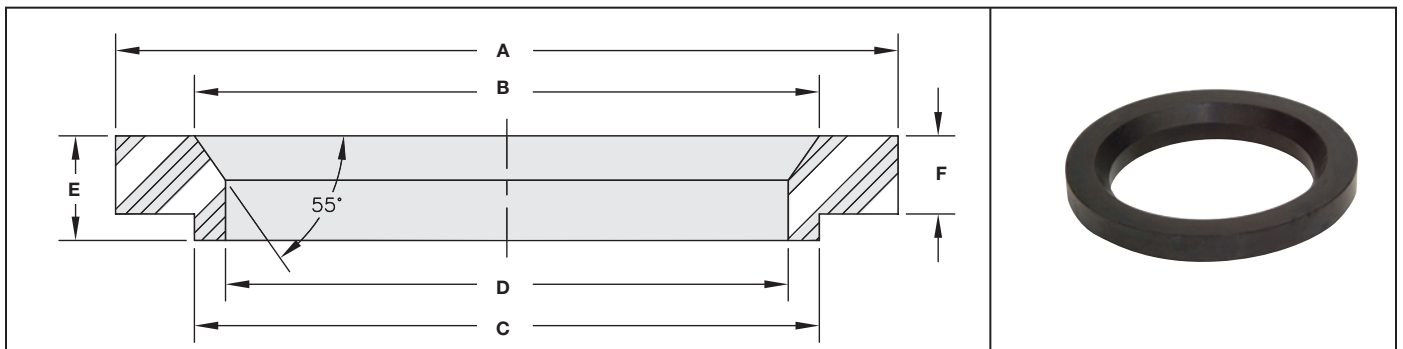


**Base Bracket with rubber ring** (to specify base bracket less rubber ring remove “R” from model number)



Model	Dimensions in inches																		Weight	
	A		B		C		D		E		F		G		H		L		kg.	lbs.
	mm	in	mm	in	mm	in	mm	in	mm	in	mm	in	mm	in	mm	in	mm	in		
BB120R	260	10.24	200	7.87	100	3.94	120	4.72	75	2.95	35	1.38	225	8.86	100	3.94	17	.67	2.3	5.1
BB170R	260	10.24	200	7.87	100	3.94	170	6.69	75	2.95	35	1.38	225	8.86	123	4.84	17	.67	2.0	4.5
BB211R	390	15.35	270	10.63	240	9.45	211	8.31	180	7.09	60	2.36	390	15.35	195	7.68	22	.87	7.7	16.9

### Rubber Ring Only



Model	Rubber Ring Only												Use with Base Bracket No.
	A		B		C		D		E		F		
	mm	in	mm	in	mm	in	mm	in	mm	in	mm	in	
RR108	150	5.91	120	4.72	119	4.69	108	4.25	20	0.79	15	0.59	BB-120
RR160	200	7.87	170	6.69	169	6.65	159	6.26	20	0.79	15	0.59	BB-170
RR200	250	9.84	220	8.66	210	8.27	200	7.87	25	0.98	20	0.79	BB-211

## Mounting Brackets Compatibility Information for Bladder Accumulators

For 3000 PSI Bladder Accumulators				
Bladder Accumulator Size	Clamp Number	Qty.	Nom. Dia. in. (mm)	Base Bracket
1 Quart	AMP114	1	4.50 (114)	None
1 Gallon	AMP172	1	6.75 (171)	BB120R
2.5 Gallon	AMP/D228	1	9.10 (231)	BB170R
5 Gallon	AMP/D228	2	9.10 (231)	BB170R
10 Gallon	AMP/D228	2	9.10 (231)	BB170R
11 Gallon	AMP/D228	2	9.10 (231)	BB170R
15 Gallon	AMP/D228	3	9.10 (231)	BB170R

For 5000 PSI Bladder Accumulators				
Bladder Accumulator Size	Clamp Number	Qty.	Nom. Dia. in. (mm)	Base Bracket
1 Quart	AMP126	1	4.96 (126)	None
1 Gallon	AMP172	1	7.00 (180)	BB120R
2.5 Gallon	AMP/D254	1	9.75 (248)	BB170R
5 Gallon	AMP/D254	2	9.75 (248)	BB170R
10 Gallon	AMP/D254	2	9.75 (248)	BB170R
15 Gallon	AMP/D254	3	9.75 (248)	BB170R

## Mounting Brackets Compatibility Information for Piston Accumulators

Piston Accumulator Size	Clamp Number	Qty.	Dia. in. (mm)	Base Bracket
1 Quart	AMP114	1	4.5 (114)	None
2 Quart	AMP114	1	4.5 (114)	None
1 Gallon	AMP114	1	4.5 (114)	None
	AMP146	2	5.5 (140)	None
	AMP172	1	7.0 (178)	BB120R
1.5 Gallon	AMP114	2	4.5 (114)	None
	AMP146	2	5.5 (140)	None
	AMP172	1	7.0 (178)	BB120R
2 Gallon	AMP114	1	4.5 (114)	None
	AMP146	2	5.5 (140)	None
	AMP172	1	7.0 (178)	BB120R
2.5 Gallon	AMP146	2	5.5 (140)	None
	AMP172	1	7.0 (178)	BB120R
	AMP/D206	1	8.0 (203)	BB170R
3 Gallon	AMP146	2	5.5 (140)	None
	AMP172	1	7.0 (178)	BB120R
	AMP/D206	1	8.0 (203)	BB170R
4 Gallon	AMP146	2	5.5 (140)	None
	AMP172	1	7.0 (178)	BB120R
	AMP/D206	1	8.0 (203)	BB170R

Piston Accumulator Size	Clamp Number	Qty.	Dia. in. (mm)	Base Bracket
5 Gallon	AMP146	3	5.5 (140)	None
	AMP172	2	7.0 (178)	BB170R
	AMP/D206	1	8.0 (203)	BB170R
7.5 Gallon	AMP /D228	1	9.0 (228)	BB170R
	AMP/D206	2	8.0 (203)	BB170R
	AMP /D228	1	9.0 (228)	BB170R
10 Gallon	AMP/D206	2	8.0 (203)	BB170R
	AMP /D228	2	9.0 (228)	BB170R
	AMP/D206	2	8.0 (203)	BB170R
15 Gallon	AMP/D206	2	8.0 (203)	BB170R
	AMP /D228	2	9.0 (228)	BB170R
	AMP /D228	3	9.0 (228)	BB170R
20 Gallon	AMP/D206	3	8.0 (203)	BB170R
	AMP /D228	3	9.0 (228)	BB170R
	AMP /D228	3	9.0 (228)	BB170R
23 Gallon	AMP /D228	3	9.0 (228)	BB170R
25 Gallon	AMP /D228	3	9.0 (228)	BB170R