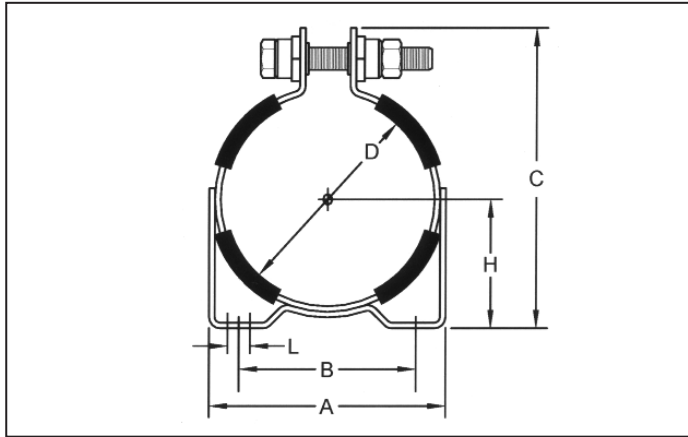
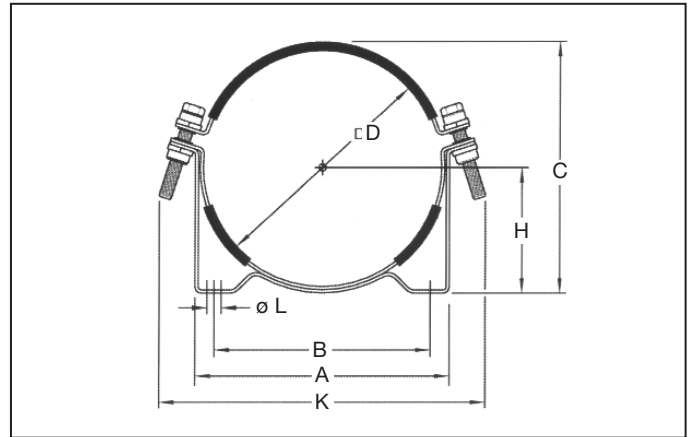


Type AMP



Type AMP/D



Stauff Clamp Part Number	Dimensions													
	"ØD" Nom		A		B		C		H		L (Slot)		Width	
	mm	in	mm	in	mm	in	mm	in	mm	in	mm	in	mm	in
AMP108	108.0	4.25	138.0	5.43	100.0	3.94	150.0	5.91	64.0	2.52	9.7x12.7	.38x.50	32.0	1.25
AMP114	114.0	4.50	134.0	5.26	100.0	3.94	170.0	6.68	73.0	2.87	9.7x12.7	.38x.50	32.0	1.25
AMP126	126.0	4.96	175.0	6.89	136.0	5.35	181.0	7.12	77.0	3.03	9.7x12.7	.38x.50	32.0	1.25
AMP146	146.0	5.75	168.0	6.63	136.0	5.35	197.0	7.75	89.0	3.50	9.7x12.7	.38x.50	32.0	1.25
AMP172	172.0	6.75	191.0	7.50	153.0	6.02	229.0	9.00	100.0	3.94	9.7x12.7	.38x.50	32.0	1.25
AMP206	206.0	8.11	254.0	10.00	208.0	8.20	248.0	9.75	115.0	4.53	9.7x12.7	.38x.50	32.0	1.25
AMP231	231.0	9.10	254.0	10.00	208.0	8.20	274.0	10.80	125.0	4.93	9.7x12.7	.38x.50	32.0	1.25

Stauff Clamp Part Number	Dimensions															
	"ØD" Nom		A		B		C		H		K		L		Width	
	mm	in	mm	in	mm	in	mm	in	mm	in	mm	in	mm	in	mm	in
AMP/D206	206.0	8.11	260.0	10.24	208.0	8.19	230.0	9.06	118.0	4.65	275.0	10.83	15.0	0.59	38.0	1.50
AMP/D210	213.0	8.39	270.0	10.63	216.0	8.50	238.0	9.37	123.0	4.84	285.0	11.22	15.0	0.59	38.0	1.50
AMP/D219	219.0	8.63	268.0	10.55	216.0	8.50	242.0	9.53	123.0	4.84	285.0	11.22	15.0	0.59	38.0	1.50
AMP/D228	232.0	9.12	254.0	10.00	216.0	8.50	251.0	9.89	126.0	4.95	317.0	12.48	15.0	0.59	38.0	1.50
AMP/D254	248.0	9.75	264.0	10.40	216.0	8.50	267.0	10.50	135.0	5.31	330.0	13.00	15.0	0.59	38.0	1.50
AMP/D286	286.0	11.26	332.0	13.07	280.0	11.02	315.0	12.40	163.0	6.42	355.0	13.98	15.0	0.59	38.0	1.50
AMP/D310	310.0	12.20	332.0	13.07	280.0	11.02	334.0	13.15	170.0	6.69	380.0	14.96	15.0	0.59	38.0	1.50
AMP/D362	359.0	14.13	427.0	16.80	365.0	14.35	383.0	15.08	195.0	7.68	424.0	16.70	15.0	0.59	38.0	1.50