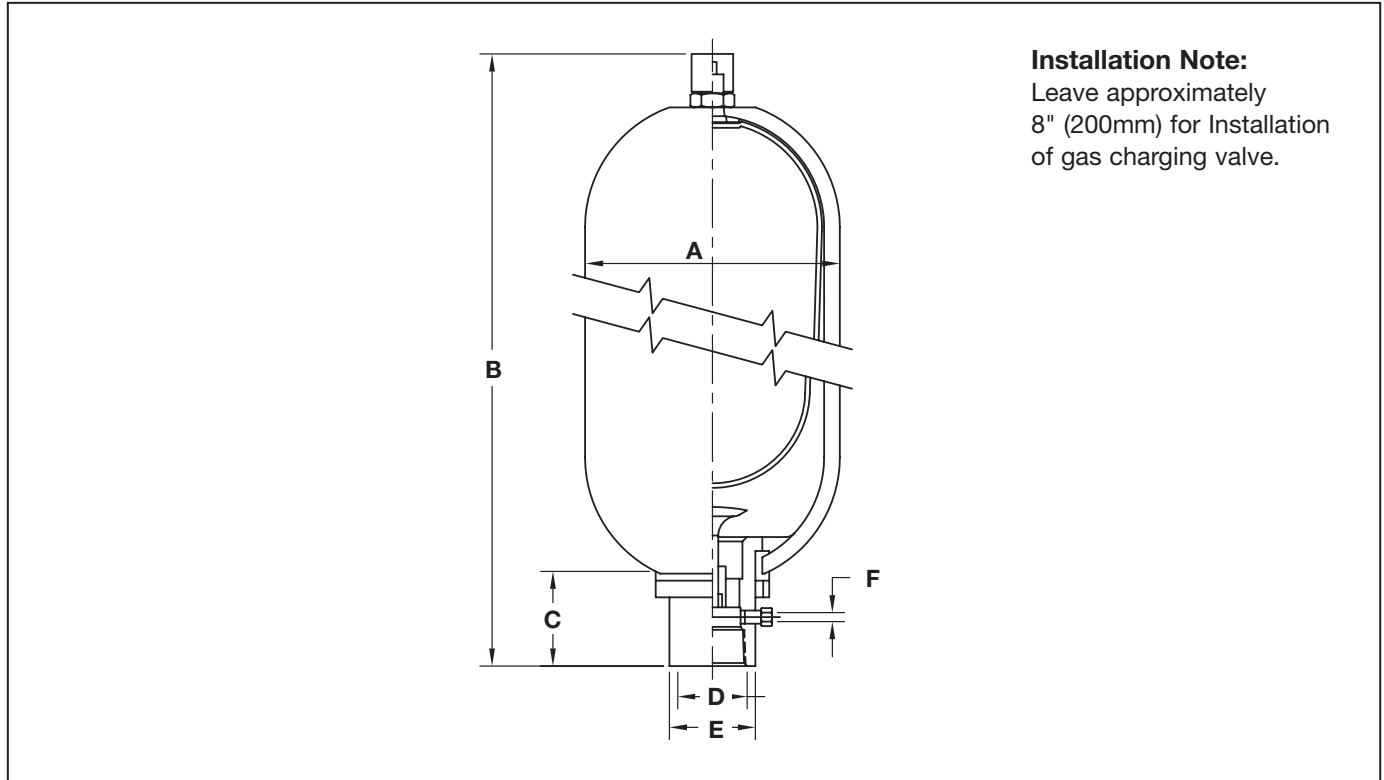


## 3000 PSI / 207 Bar Bottom Repairable



Nominal Capacity Gallons (Liters)	Gas Volume in <sup>3</sup> (cm <sup>3</sup> )	Maximum Working Pressure PSI (bar)	Dimensions										Net Weight	
			A		B		C		D	E		F	Kg.	Lbs.
			mm	in	mm	in	mm	in	SAE	mm	in	SAE		
<b>*1 Qt.</b> (1.0)	<b>68.4</b> (1190)	<b>3000</b> (207)	117	<b>4.60</b>	298	<b>11.75</b>	55	<b>2.16</b>	SAE-12 (1-1/16" - 12)	42	<b>1.65</b>	N/A	4.5	<b>10</b>
<b>1.0</b> (4.0)	<b>226</b> (3845)	<b>3000</b> (207)	168	<b>6.80</b>	432	<b>17.00</b>	92	<b>3.63</b>	SAE-20 (1 5/8" - 12)	61	<b>2.40</b>	SAE-6 (9/16 - 18)	15	<b>34</b>
<b>2.5</b> (10)	<b>555</b> (9620)	<b>3000</b> (207)	229	<b>9.00</b>	520	<b>20.50</b>	95	<b>3.75</b>	SAE-24 (1 7/8" - 12)	76	<b>3.00</b>	SAE-6 (9/16 - 18)	43	<b>95</b>
<b>5.0</b> (20)	<b>1095</b> (19480)	<b>3000</b> (207)	229	<b>9.00</b>	820	<b>32.30</b>	95	<b>3.75</b>	SAE-24 (1 7/8" - 12)	76	<b>3.00</b>	SAE-6 (9/16 - 18)	63	<b>139</b>
<b>10</b> (40)	<b>2080</b> (36560)	<b>3000</b> (207)	229	<b>9.00</b>	1360	<b>53.50</b>	95	<b>3.75</b>	SAE-24 (1 7/8" - 12)	76	<b>3.00</b>	SAE-6 (9/16 - 18)	104	<b>229</b>
<b>11</b> (44)	<b>2360</b> (41210)	<b>3000</b> (207)	229	<b>9.00</b>	1510	<b>59.50</b>	95	<b>3.75</b>	SAE-24 (1 7/8" - 12)	76	<b>3.00</b>	SAE-6 (9/16 - 18)	113	<b>249</b>
<b>15</b> (60)	<b>3460</b> (56396)	<b>3000</b> (207)	229	<b>9.00</b>	1960	<b>77.16</b>	95	<b>3.75</b>	SAE-24 (1 7/8" - 12)	76	<b>3.00</b>	SAE-6 (9/16 - 18)	130	<b>286</b>

\* In accordance with ASME VIII Calculations Only.