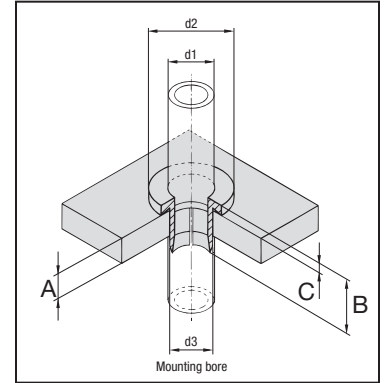


Specifications

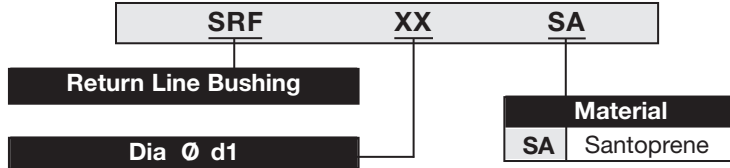
- Material: Santoprene
- Diameter: 1/4" to 1-1/2"
- Compatible with Most Hydraulic Fluids
- Packaged in Bags of Ten



Dimensions



Ordering Information



Tube Dia.	1/4" T	-	3/8" T	1/8" P	1/2" T	1/4" P	-	5/8" T	-	3/4" T	7/8" T	1" T	-	-	-	1 1/2" T	1 1/4" P													
Ød1	6	8	10	12	14	15	16	18	20	22	25	28	30	35	38	42														
	mm	in	mm	in	mm	in	mm	in	mm	in	mm	in	mm	in	mm	in	mm	in												
d2	18	0.71	20	0.78	22	0.86	24	0.94	26	1.02	28	1.10	30	1.18	32	1.25	34	1.33	38	1.49	41	1.61	43	1.69	48	1.88	51	2.00	55	2.16
d3	10	0.39	12	0.47	14	0.55	16	0.63	18	0.71	20	0.78	22	0.86	24	0.94	26	1.02	33	1.29	33	1.29	35	1.37	40	1.57	43	1.69	47	1.84
A	0.16" - 0.5" / 4 - 12mm																													
B	0.9" / 23mm																													
C	0.16" / 4mm																													

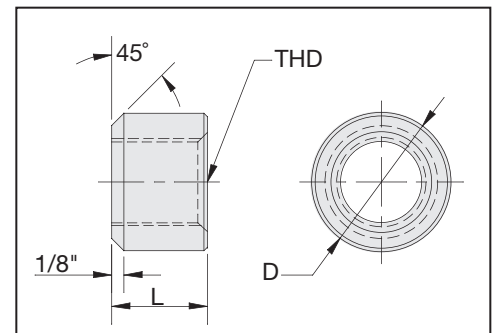
SAE Half Coupling Weld Adaptors - SWF Series

Specifications

- Female SAE Thread to Weld Boss
- Manufactured from C1018 Cold Rolled Steel
- Oil Coated for Corrosion Resistance
- Labor and Time Saving



Dimensions



Options

- Additional Sizes and Materials Available upon Request

Ordering Information

PART NO.	FEMALE SAE THREAD	D		L	
		mm	in	mm	in
SWF-06	9/16"-18	22.0	0.875	17.7	0.700
SWF-08	3/4"-16	28.5	1.125	21.6	0.850
SWF-10	7/8"-14	34.9	1.375	24.1	0.950
SWF-12	1 1/16"-12	34.9	1.375	24.1	0.950
SWF-16	1 5/16"-12	41.2	1.625	27.9	1.100
SWF-20	1 5/8"-12	53.9	2.125	27.9	1.100
SWF-24	1 7/8"-12	63.5	2.500	27.9	1.100
SWF-32	2 1/2"-12	76.2	3.000	30.4	1.200