

Specifications

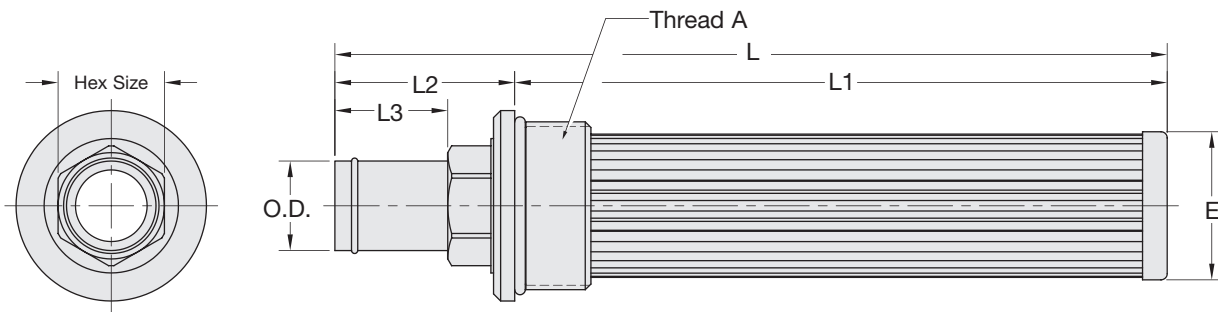
- Hose Barb to O-Ring Installation
- SAE O-Ring Thread for Leak-Free Installation
- Buna O-Ring
- 125 Micron Stainless Wire Screen
- Temperature to 100°C (212°F)



Options

- 0.35 bar (5 PSI) Bypass
- Viton O-Ring
- Weld Flange Available (see WC Series - Page A7)
- Consult Factory for Special Screens and Threads

Dimensions



Ordering Information

Part No. Non-Bypass	Part No. Bypass	Thread	O. D.		L		L1		L2		L3		E		Hex Size	
		Size A	mm	in	mm	in	mm	in	mm	in	mm	in	mm	in	mm	in
TMF-1017HB-0-0	TMF-1017HB-0-5	1 7/8"-12	25	1.0	236	9.3	185	7.3	51	2.0	32	1.25	42	1.6	32	1.25
TMF-1225HB-0-0	TMF-1225HB-0-5	2 1/2"-12	32	1.25	254	10.0	203	8.0	51	2.0	32	1.25	54	2.1	38	1.5
TMF-1234HB-0-0	TMF-1234HB-0-5	3 3/8"-12	32	1.25	261	10.3	198	7.8	64	2.5	38	1.5	82	3.2	51	2.0
TMF-1534HB-0-0	TMF-1534HB-0-5	3 3/8"-12	38	1.5	261	10.3	198	7.8	64	2.5	38	1.5	82	3.2	51	2.0
TMF-2034HB-0-0	TMF-2034HB-0-5	3 3/8"-12	51	2.0	274	10.8	199	7.8	76	3.0	51	2.0	82	3.2	63	2.5