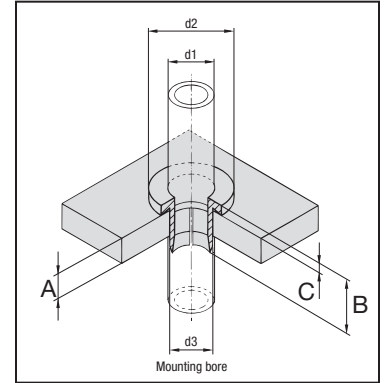


Specifications

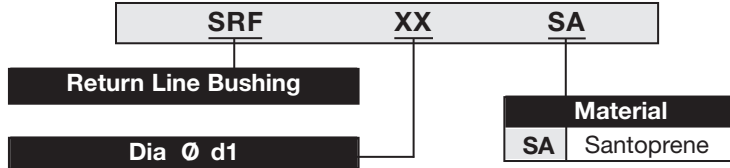
- Material: Santoprene
- Diameter: 1/4" to 1-1/2"
- Compatible with Most Hydraulic Fluids
- Packaged in Bags of Ten



Dimensions



Ordering Information



Tube Dia.	1/4" T	-	3/8" T	1/8" P	1/2" T	1/4" P	-	5/8" T	-	3/4" T	7/8" T	1" T	-	-	-	1 1/2" T	1 1/4" P													
Ød1	6	8	10	12	14	15	16	18	20	22	25	28	30	35	38	42														
	mm	in	mm	in	mm	in	mm	in	mm	in	mm	in	mm	in	mm	in	mm	in												
d2	18	0.71	20	0.78	22	0.86	24	0.94	26	1.02	28	1.10	30	1.18	32	1.25	34	1.33	38	1.49	41	1.61	43	1.69	48	1.88	51	2.00	55	2.16
d3	10	0.39	12	0.47	14	0.55	16	0.63	18	0.71	20	0.78	22	0.86	24	0.94	26	1.02	33	1.29	33	1.29	35	1.37	40	1.57	43	1.69	47	1.84
A	0.16" - 0.5" / 4 - 12mm																													
B	0.9" / 23mm																													
C	0.16" / 4mm																													

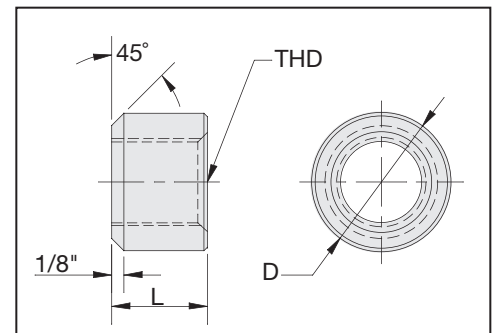
SAE Half Coupling Weld Adaptors - SWF Series

Specifications

- Female SAE Thread to Weld Boss
- Manufactured from C1018 Cold Rolled Steel
- Oil Coated for Corrosion Resistance
- Labor and Time Saving



Dimensions



Options

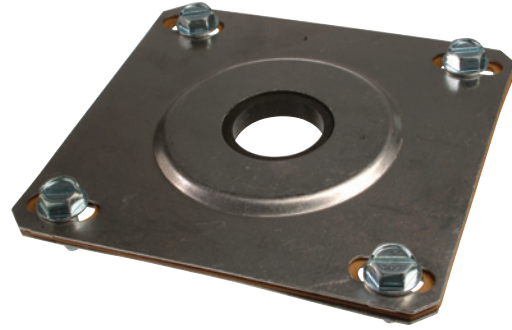
- Additional Sizes and Materials Available upon Request

Ordering Information

PART NO.	FEMALE SAE THREAD	D		L	
		mm	in	mm	in
SWF-06	9/16"-18	22.0	0.875	17.7	0.700
SWF-08	3/4"-16	28.5	1.125	21.6	0.850
SWF-10	7/8"-14	34.9	1.375	24.1	0.950
SWF-12	1 1/16"-12	34.9	1.375	24.1	0.950
SWF-16	1 5/16"-12	41.2	1.625	27.9	1.100
SWF-20	1 5/8"-12	53.9	2.125	27.9	1.100
SWF-24	1 7/8"-12	63.5	2.500	27.9	1.100
SWF-32	2 1/2"-12	76.2	3.000	30.4	1.200

Specifications

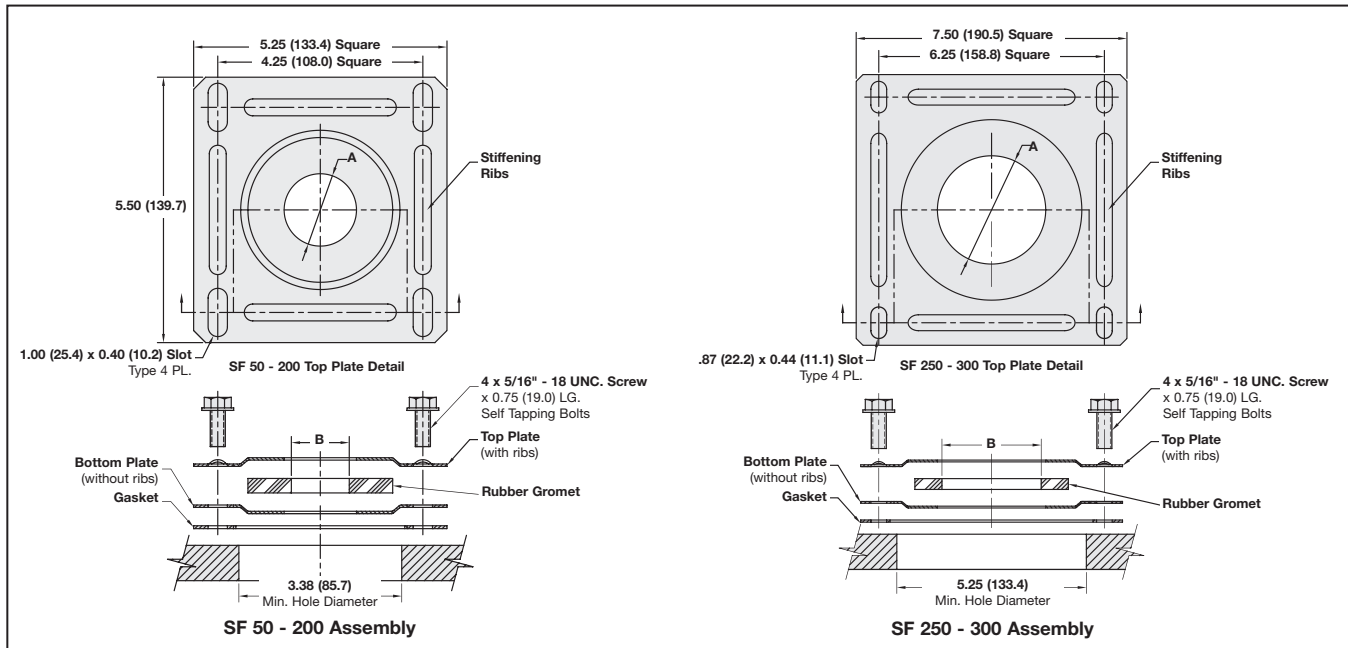
- Designed to seal suction lines passing through the top plate of reservoir
- Allows access for easy removal of suction elements for inspection and cleaning
- Includes top plate, bottom plate, gasket, rubber bushing and 4 x 5/16-18 thread forming screws
- Steel Plate
- Buna-N Seals



Part No.	SF-050	SF-075	SF-100	SF-125	SF-150	SF-200	SF-250	SF-300
Nominal Pipe Size	1/2"	3/4"	1"	1 1/4"	1 1/2"	2"	2 1/2"	3"

Dimensions

Dimensions in inch (mm)



Part No.	A Dimension		B Dimension	
	mm	in	mm	in
SF-050	38	1 1/2	20	0.8
SF-075	38	1 1/2	25	1.0
SF-100	38	1 1/2	30	1.2
SF-125	51	2	41	1.6
SF-150	51	2	46	1.8
SF-200	64	2 1/2	58	2.3

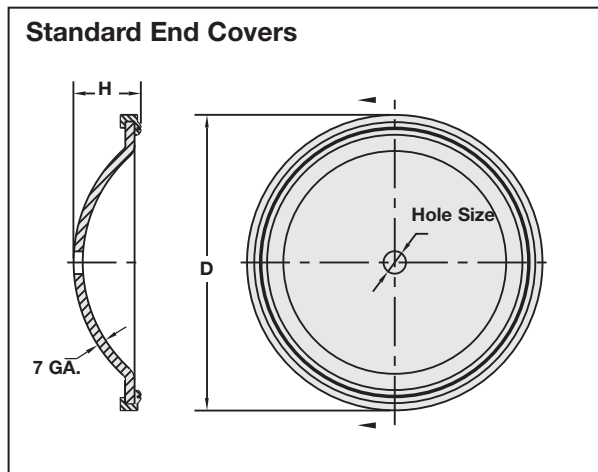
Part No.	A Dimension		B Dimension	
	mm	in	mm	in
SF-250	76	3	70	2 3/4
SF-300	95	3 3/4	89	3 1/2

Specifications

- 7 Gauge Steel Pickled and Oiled
- No Leak, Molded, One Piece Buna-N Double Lip Gasket
- Supplied with Nylon Crush Washer and Gasket
- EC-6 Supplied with Back Mounting Bracket

Options

- Available with 3/4" Drain (Excludes EC-6)
- End Cover Mounting Brackets Available for EC-10 to EC-18 inclusive
- Baffle Adaptor Available
- Stainless Steel Available upon Request



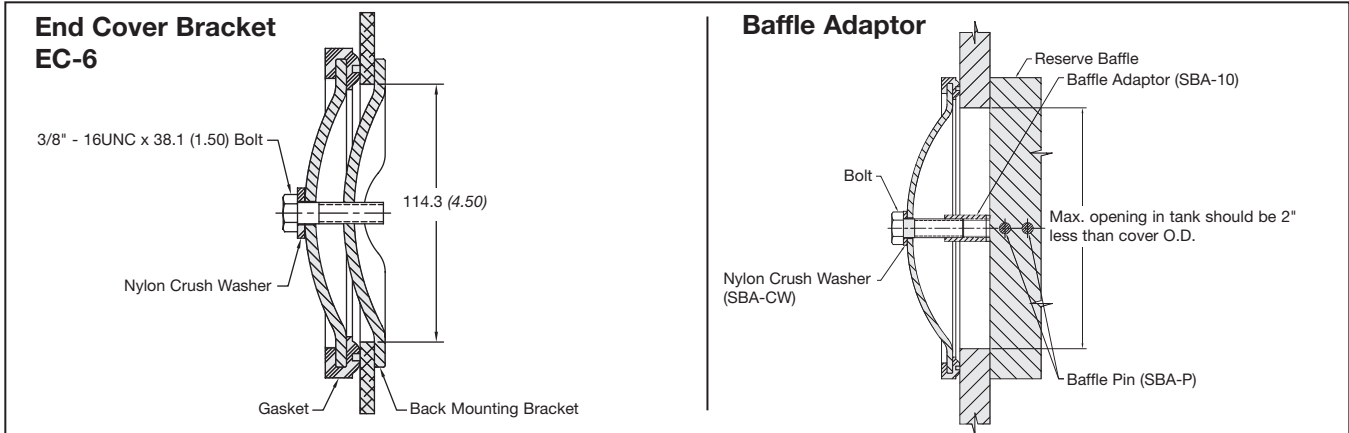
Seal Kit (Contains double lip buna seal and nylon crush washer)

Part Number	Description
EC-10-SK	Seal and washer for EC-10/EC-10D
EC-12-SK	Seal and washer for EC-12/EC-12D
EC-14-SK	Seal and washer for EC-14/EC-14D
EC-16-SK	Seal and washer for EC-16
EC-18-SK	Seal and washer for EC-18/EC-18D

Standard End Covers

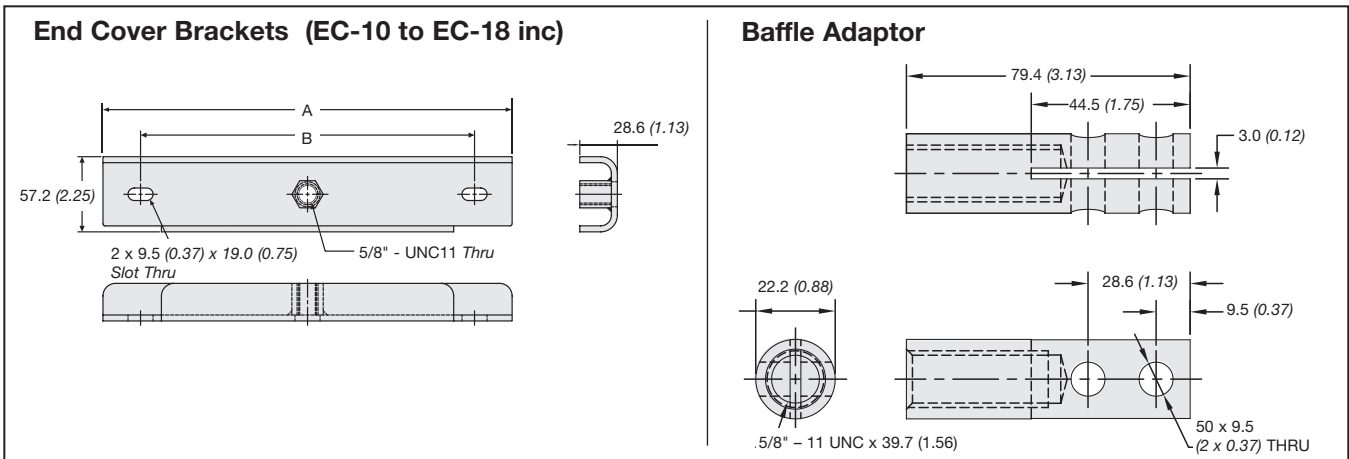
Plain End Cover Kit Part Number	End Cover w/Drain Hole Part Number	Diameter D		H		Hole Size		Weight	
		mm	in	mm	in	mm	in	kg	lb
EC-6	—	146	5.75	33	1.312	11.1	.438	1.2	2.5 lbs.
EC-10	EC-10D	254	10	44.5	1.75	17.4	.687	2.1	4.5 lbs.
EC-12	EC-12D	308	12.125	44.5	1.75	17.4	.687	3.0	6.5 lbs.
EC-14	EC-14D	359	14.125	44.5	1.75	17.4	.687	3.9	8.5 lbs.
EC-16	—	410	16.125	44.5	1.75	17.4	.687	4.8	10.5 lbs.
EC-18	EC-18D	460	18.125	51	2.00	17.4	.687	6.2	13.5 lbs.

Mounting Arrangements



Part Number	Description	
SBAB-10	Mounting Bolt for EC-10 & EC-12	5/8" - 11 x 1 1/2"
SBAB-14	Mounting Bolt for EC-14	5/8" - 11 x 2"
SBAB-18	Mounting Bolt for EC-18	5/8" - 11 x 2 1/2"
SBA-10	Baffle Adaptor	
SBA-P	Baffle Pin	
SBA-CW	Nylon Crush Washer	

Dimensions in mm (inch)



End Cover Brackets (Required when baffle adaptor is not used; includes bracket and 2 weld on clips)

Part Number	End Cover Diameter	Access Hole Diameter	A		B		Bolt Size Required	Weight	
			mm	in	mm	in		kg	lb
SBR - 10	10"	8"	305	12	254	10	5/8"-11 x 2 1/2"	1.2	2.5 lbs.
SBR - 12	12"	10"	356	14	305	12	5/8"-11 x 2 1/2"	1.4	3 lbs.
SBR - 14	14"	12"	413	16.25	362	14.25	5/8"-11 x 2 1/2"	1.4	3 lbs.
SBR - 16	16"	14"	464	18.25	413	16.25	5/8"-11 x 2 1/2"	1.8	4 lbs.
SBR - 18	18"	16"	514	20.25	464	18.25	5/8"-11 x 2 3/4"	1.8	4 lbs.