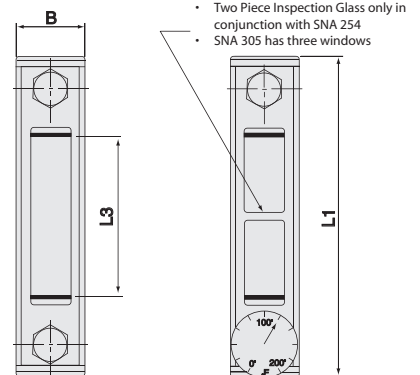
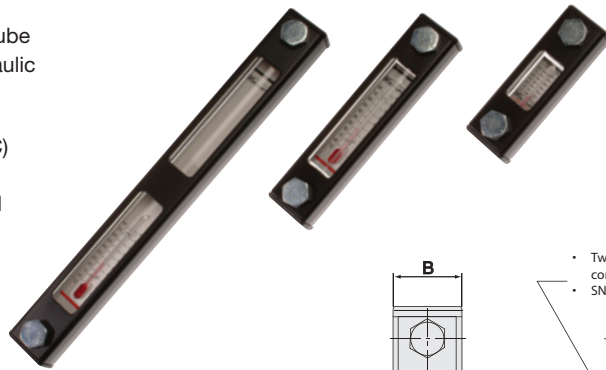


## Specifications

- Black Epoxy Coated Metal Shroud with Polyamid Sight Tube
- Suitable for Use with Mineral and Petroleum Based Hydraulic Fluids and Lubricants.
- Maximum Operating Temperature 194°F (90°C)
- Thermometer Calibration from -14°F (-10°C) to 176°F (80°C)
- SNA 076 has M10 Bolts as Standard
- SNA 127, SNA 254, SNA305 have M12 Bolts as Standard
- **Tightening Torque 70 in/lb (7.9 Nm)**

## Options

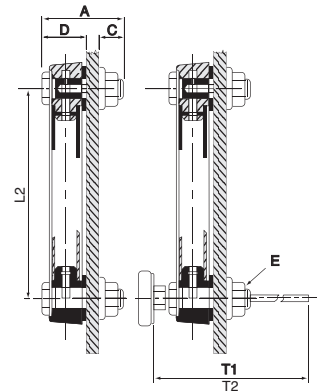
- Viton Seals
- Dial Thermometer Available with 7.9 in (200mm) or 11.8 in (300mm) Probe
- Other Special Seals Available upon Request
- Special Customized Scale Plates Available
- 1/2" UNC Bolts Available on SNA 127, 254 or 305
- M12 Bolts Available on SNA 076
- Special Lengths Available on Request
- Special plastic sight tubes available for improved UV resistance or special fluids



Please consult factory on the use of special fluids such as biological fluids, diesel oils, gasoline, etc.

## Dimensions

	SNA 076		SNA 127		SNA 254		SNA 305	
	mm	in	mm	in	mm	in	mm	in
<b>A</b>	45	1.77	45	1.77	45	1.77	45	1.77
<b>B</b>	34.5	1.34	34.5	1.34	34.5	1.34	34.5	1.34
<b>C</b>	8 MAX	0.32 MAX	8 MAX	0.32 MAX	8 MAX	0.32 MAX	8	0.32
<b>D</b>	27	1.06	27	1.06	27	1.06	27	1.06
<b>E</b>	M10		M12		M12		M12	
<b>L1</b>	108	4.25	159	6.25	286	11.25	336	13.2
<b>L2</b>	76	3.00	127	5.00	254	10.00	305	12.0
<b>L3</b>	39	1.45	76	3.00	203	8.00	255	10.0
<b>T1</b>	200	7.88	200	7.88	200	7.88	200	7.88
<b>T2</b>	302	11.88	302	11.88	302	11.88	302	11.88



## Ordering Information

SNA 127 B S T1 12 O60											
<b>Type</b>	SNA										
<b>Series</b>	<table border="1"> <tr><td>076</td><td>SNA 076 (3")</td></tr> <tr><td>127</td><td>SNA 127 (5")</td></tr> <tr><td>254</td><td>SNA 254 (10")</td></tr> <tr><td>305</td><td>SNA 305 (12")</td></tr> </table>	076	SNA 076 (3")	127	SNA 127 (5")	254	SNA 254 (10")	305	SNA 305 (12")		
076	SNA 076 (3")										
127	SNA 127 (5")										
254	SNA 254 (10")										
305	SNA 305 (12")										
<b>Seal Material</b>	<table border="1"> <tr><td>B</td><td>BUNA NBR (Standard)</td></tr> <tr><td>V</td><td>VITON FPM</td></tr> </table>	B	BUNA NBR (Standard)	V	VITON FPM						
B	BUNA NBR (Standard)										
V	VITON FPM										
<b>Design of Scale Plate</b>	<table border="1"> <tr><td>S</td><td>With Stauff-Logo (Standard)</td></tr> <tr><td>N</td><td>No Logo</td></tr> <tr><td>X</td><td>Custom Design</td></tr> </table>	S	With Stauff-Logo (Standard)	N	No Logo	X	Custom Design				
S	With Stauff-Logo (Standard)										
N	No Logo										
X	Custom Design										
<b>Thermo Switch</b> (see page A28 for details)	<table border="1"> <tr><td>OMIT</td><td>Without Thermo Switch</td></tr> <tr><td>O60</td><td>TS-SNA/SNK-O-60</td></tr> <tr><td>O70</td><td>TS-SNA/SNK-O-70</td></tr> <tr><td>O80</td><td>TS-SNA/SNK-O-80</td></tr> </table>	OMIT	Without Thermo Switch	O60	TS-SNA/SNK-O-60	O70	TS-SNA/SNK-O-70	O80	TS-SNA/SNK-O-80		
OMIT	Without Thermo Switch										
O60	TS-SNA/SNK-O-60										
O70	TS-SNA/SNK-O-70										
O80	TS-SNA/SNK-O-80										
<b>Banjo Bolts</b>	<table border="1"> <tr><td>12</td><td>M 12 (Standard SNA 127, 254 &amp; 305)</td></tr> <tr><td>10</td><td>M 10 (Standard SNA 076)</td></tr> <tr><td>U</td><td>1/2" UNC (Available for 127, 254 &amp; 305)</td></tr> </table>	12	M 12 (Standard SNA 127, 254 & 305)	10	M 10 (Standard SNA 076)	U	1/2" UNC (Available for 127, 254 & 305)				
12	M 12 (Standard SNA 127, 254 & 305)										
10	M 10 (Standard SNA 076)										
U	1/2" UNC (Available for 127, 254 & 305)										
<b>Thermometer</b> (Dial thermometer with probe T1/T2 for size M12 and for 1/2" UNC / UNF)	<table border="1"> <tr><td>O</td><td>Without Thermometer</td></tr> <tr><td>T</td><td>Capillary Tube Thermometer on Scale Plate</td></tr> <tr><td>T1</td><td>Dial Thermometer With 200 mm (7.9") Probe</td></tr> <tr><td>T2</td><td>Dial Thermometer With 300 mm (11.8") Probe</td></tr> <tr><td>TB</td><td>Blue Capillary Tube Option</td></tr> </table>	O	Without Thermometer	T	Capillary Tube Thermometer on Scale Plate	T1	Dial Thermometer With 200 mm (7.9") Probe	T2	Dial Thermometer With 300 mm (11.8") Probe	TB	Blue Capillary Tube Option
O	Without Thermometer										
T	Capillary Tube Thermometer on Scale Plate										
T1	Dial Thermometer With 200 mm (7.9") Probe										
T2	Dial Thermometer With 300 mm (11.8") Probe										
TB	Blue Capillary Tube Option										