

Area of Application:

Ventilation and tank filling

Characteristics/Materials:

- available as screw-in or bayonet version
- non-corrosive
- Temperature range: -40°C ... +120°C (-40°F ... +248°F)
- Materials: glassfiber reinforced PA
- Seals: NBR, others on request
- Air filter insert: see order table page A20

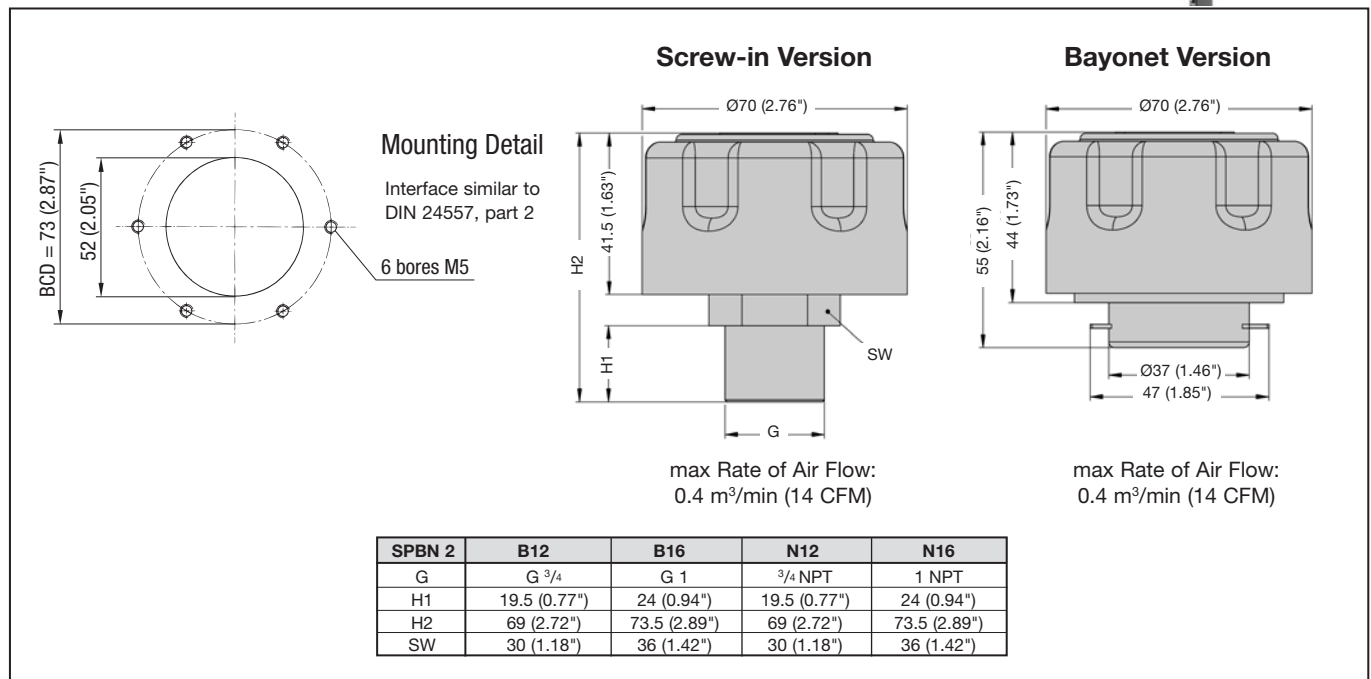
Options:

- Plastic dipsticks with integrated anti-splash function
- Metal basket (micron rating 800 µm)
- Thread style BSP and NPT available
- Pressurized at 0,20 bar (3 PSI), 0,35 bar (5 PSI) or 0,70 bar (10 PSI)

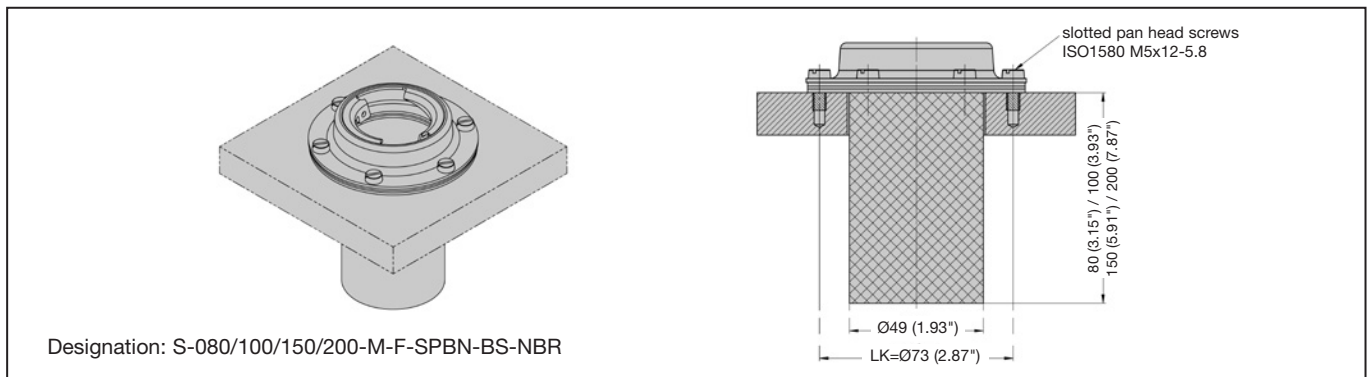
Custom built combinations and special requirements available on request.



Dimensions and Styles



Accessories: Mounting Adaptor for Metal Basket



Ordering Code

SPBN - S - 2 - 10 - B12 - A - D300

Type	
SPBN	Plastic Filler Breather - Narrow Version

Version	
S	without pressurization (standard)
P1	pressurized at 0,20 bar (3 PSI)
P2	pressurized at 0,35 bar (5 PSI)
P3	pressurized at 0,70 bar (10 PSI)

Group size		
Size	Cap diameter	Max rate of air flow (m ³ /min)
2	70	0,4

Air filter element: Micron rating and Filter material	
O	without air filter element
10	10 µm foam (PUR, standard)
40	40 µm foam (PUR, on request)

Dipstick option	
(none)	without dipstick
D300	dipstick 300mm

Note: The plastic dipstick can be shortened by the customer to requested lengths.

Anti-splash option	
A	with anti-splash option (only for screw-in version)
O	without anti-splash option (standard)

Connection	
B12	G ³ / ₄ BSP
B16	G1 BSP
N12	³ / ₄ NPT (on request)
N16	1 NPT (on request)
BS	Bayonet version (without accessories)
BM	Bayonet version (including mounting adaptor, gaskets and bolts)
S080	BM + 80 mm metal basket
S100	BM + 100 mm metal basket
S150	BM + 150 mm metal basket
S200	BM + 200 mm metal basket

Airflow plastic filler breathers SPBN 2

